

Precast Box Culvert Standards

Barrel and End Section Design Methodology

March 11, 2021

Developed For:



Developed By:



Foth Infrastructure & Environment, LLC

Table of Contents

1	Definitions	4
2	Abbreviations	4
3	Background.....	4
4	Material Properties and Constants	5
5	Box Culvert Geometry.....	5
5.1	Box Sizes.....	5
5.2	Fill Height.....	5
5.3	Member Thicknesses.....	5
5.4	Haunch	6
5.5	Skew.....	6
6	Loads for Barrel Design	6
6.1	Load Factor and Load Modifier Summary	6
6.2	Dead Load – Self-Weight (DC).....	7
6.3	Dead Load – Additional Dead Loads (DW)	7
6.4	Vertical Earth Pressure (EV)	7
6.5	Horizontal Earth Pressure ($E_{H_{Min}}$ and $E_{H_{Max}}$)	7
6.6	Water Pressure (WA).....	7
6.7	Live Load Surcharge (LS)	7
6.8	Live Load (LL+IM).....	7
6.9	Load Cases and Combinations	8
7	Structural Analysis of Barrels	9
8	Barrel Design.....	10
8.1	Resistance Factors	10
8.2	Reinforcing Layout.....	10
8.3	Critical Sections	11
8.4	Reinforcing Wire Diameter and Maximum Spacing	11
8.5	Strength-Level Flexural Reinforcing Requirements	12
8.6	Crack Control Requirement.....	12
8.7	Minimum Reinforcing Requirements	13
8.8	Maximum Reinforcing Requirements	13
8.9	Shear Capacity	13
8.10	Development of Welded Wire Reinforcing	13
9	Adjustments to Eriksson Culvert Default Settings for Barrel Design	14

10	Loads for End Section Design	14
10.1	Load Factors and Load Modifiers	14
10.2	Dead Load – Self-Weight (DC)	14
10.3	Dead Load – Additional Dead Loads (DW)	14
10.4	Vertical Earth Pressure (EV).....	14
10.5	Horizontal Earth Pressure ($E_{H_{Min}}$ and $E_{H_{Max}}$).....	15
10.6	Water Pressure (WA)	15
10.7	Live Load Surcharge (LS).....	15
10.8	Live load (LL+IM)	15
10.9	Load Combinations	15
10.10	Comparison to CIP Headwall Standards.....	16
11	Structural Analysis of End Sections	17
11.1	Design Model for AH Steel In Walls.....	17
11.2	Design Model for AH Steel in Floor.....	17
11.3	Design Model for As3 Steel in Floor	18
11.4	Design Model Steel on Inside Face of Wall	18
11.5	Design Model for Ab Steel in the Slab of Type 1 End Sections.....	18
11.6	Design Model for A _t Steel in the Slab of Type 1 End Sections	18
11.7	Parapet and Lintel Beam Design Model	18
12	End Section Design.....	19
12.1	Resistance Factors.....	19
12.2	Type 3 Reinforcing Layout.....	19
12.3	Type 1 Reinforcing Layout.....	19
12.4	Critical Sections.....	20
12.5	Reinforcing Wire Diameter and Maximum Spacing.....	20
12.6	Strength-Level Flexural Reinforcing Requirements.....	20
12.7	Crack Control Requirement	20
12.8	Minimum Reinforcing Requirements.....	21
12.9	Maximum Reinforcing Requirements.....	21
12.10	Shear Capacity.....	21

1 Definitions

Slab – The top horizontal member of the culvert

Floor – The bottom horizontal member of the culvert

2 Abbreviations

AASHTO – American Association of State Highway and Transportation Officials

ASTM – American Society for Testing and Materials

CIP – Cast In Place

Iowa DOT – Iowa Department of Transportation

LRFD – Load and Resistance Factor Design

MnDOT – Minnesota Department of Transportation

MCFT – Modified Compression Field Theory

RCB – Reinforced Concrete Box

3 Background

Before the development and release of the precast box culvert standards in 2012, the Iowa DOT allowed precast concrete box culverts as an alternate bid to CIP RCB culverts in certain limited situations, namely, for standard size single box culverts with standard size parallel wing headwalls at both ends and fill heights ranging from 2 ft. to less than 20 ft. Use of precast culverts was further limited to situations when settlement was expected to be less than 6 in. The use of precast culverts outside of the established departmental limits was approved on a case-by-case basis. Substitution of a precast box culvert was not allowed in situations where bell joints were required or installations where culverts are founded directly on bedrock.

In May 2012, the Iowa DOT initiated the development of precast box culvert standards in accordance with the AASHTO LRFD Bridge Design Specifications, 5th Edition, with Interims through 2010 (AASHTO LRFD). These standards, released in January 2013, were limited to single cell barrels and closely followed the format of the MnDOT precast box culvert standards. The standards were developed using BOXCAR, a commercial software application developed specifically for the design of precast box culvert barrels and marketed through the American Concrete Pipe Association.

In July 2020, the Iowa DOT released updated precast box culvert standards in accordance with the AASHTO LRFD Bridge Design Specifications, 8th Edition. The barrel sections were developed with Eriksson Culvert software. End sections were completed using custom MathCAD worksheets and were designed to be compatible with both the Iowa DOT standard barrels and barrels conforming to ASTM C1577-20. The new standards include all single barrel sizes from the 2013 standards, as well as previously unpublished 14' and 16' span sections.

This document details the design process used for the development of the 2020 precast box culvert standards. Differences in design methodology relevant to the MnDOT standards and the Iowa DOT CIP

standards are also noted in this document. Design exceptions to AASHTO LRFD and ASTM C1577-20 Standard Specification for Precast Reinforced Concrete Monolithic Box Section for Culverts, Storm Drains, and Sewers Designed According to AASHTO LRFD will also be noted.

4 Material Properties and Constants

Material properties and related constants are presented in Table 4-1.

Table 4-1 Material Properties

Concrete	$f'_c = 5$ ksi (see Note 1)
Welded Wire Fabric	$f_y = 65$ ksi
Reinforcing Steel	$f_y = 60$ ksi
Reinforced Concrete Density	0.150 kcf
Soil Fill Density	0.120 kcf
Soil Fill Friction Angle (ϕ)	30°
Water Density	0.0624 kcf
Typical Clear Cover	2 in.

Note 1:

Concrete strength may be increased to 6 ksi when needed to keep member thicknesses to 12 in. or less and to eliminate shear reinforcing.

5 Box Culvert Geometry

5.1 Box Sizes

The list of precast single box sizes (span x height) provided below correspond with the box sizes developed for the CIP single box culvert standards, with spans less than 6 ft. being excluded.

6x3, 6x4, 6x5, 6x6, 6x7, 6x8

8x4, 8x5, 8x6, 8x7, 8x8, 8x9, 8x10

10x4, 10x5, 10x6, 10x7, 10x8, 10x9, 10x10, 10x11, 10x12

12x4, 12x5, 12x6, 12x7, 12x8, 12x9, 12x10, 12x11, 12x12

14x4, 14x5, 14x6, 14x7, 14x8, 14x9, 14x10, 14x11, 14x12, 14x13, 14x14

16x4, 16x5, 16x6, 16x7, 16x8, 16x9, 16x10, 16x11, 16x12, 16x13, 16x14

5.2 Fill Height

Standard designs for 12' and lesser spans are provided for fill heights between 2 ft. and 25 ft., while standard designs for 14' and 16' spans are provided for fill heights between 2 ft. and 16 ft. These fill heights generally follow the MnDOT precast box culvert standards except the MnDOT standards provided designs for less than 2 ft. of fill and also limit the fill height for the 12 ft. spans to 22 ft.

5.3 Member Thicknesses

The minimum floor, slab, and wall thickness for culverts with 6 ft. spans is 8.0 in. For culverts of all other spans, the minimum thicknesses are 8.0 in. for walls, 9.0 in. for the slab, and 10.0 in. for the floor.

The maximum desirable thickness for any member of any culvert size is 12.0 in. If this requirement cannot be met when assuming a concrete compressive strength of $f'_c = 5$ ksi without the addition of shear reinforcing, a concrete compressive strength of $f'_c = 6$ ksi may be used.

5.4 Haunch

A haunch with dimensions of 12 in. in both the horizontal and vertical direction is used for all box sizes. This practice is consistent with the MnDOT precast box culvert standards.

5.5 Skew

The standard precast designs assume traffic is travelling parallel to the span. This assumption is considered to provide adequate designs for culverts skewed to a maximum of 45 degrees. The standard precast designs may need to be redesigned if skew angles exceed 45 degrees. Article X1.2 of ASTM C1577-20 states a separate analysis is required when the skew angle exceeds 30 degrees and the fill depth is 5 ft. or less.

6 Loads for Barrel Design

6.1 Load Factor and Load Modifier Summary

The load factors in Table 6-1 were selected from the AASHTO LRFD Tables 3.4.1-1 and 3.4.1-2. Refer to Section 8.5 for an explanation of the differing moment and shear and thrust load factors for the Strength I load combinations. According to AASHTO LRFD Art. 12.5.4, buried structures are considered non-redundant for earth fills at the strength limit state and therefore a load modifier value of $\eta = 1.05$ is applied to the Earth Horizontal and Earth Vertical loads. A load modifier value of $\eta = 1.0$ is used for all other loads. These load modifiers are consistent with AASHTO LRFD Art. 1.3.3 through 1.3.5. Load modifiers are used by Eriksson Culvert to increase the earth loads when they contribute to the maximum force effect and the reciprocal of the load modifier is used to decrease the earth loads when they do not contribute to the maximum force effect. Load modifiers were used to only increase the earth loads in the CIP box culvert designs.

Table 6-1 Load Factors (γ)

		Load Combination		
		Strength I		Service I
Load		Moment and Shear	Thrust	All Forces
DC	Max.	1.25	0.00	1.00
	Min.	0.90	0.00	
EV	Max.	1.30	0.00	1.00
	Min.	0.90	0.00	
EH	Max.	1.35	0.00	1.00
	Min.	0.90	0.00	
LL+IM	---	1.75	0.00	1.00
LS	---	1.75	0.00	1.00
WA	---	1.00	0.00	1.00

6.2 *Dead Load – Self-Weight (DC)*

This load accounts for the self-weight of the concrete box culvert based on a unit weight of 0.150 kcf. This load includes the slab, walls, and haunches. The self-weight of the floor is assumed to be directly resisted by the soil and therefore is not included.

Ericksson Culvert applies the weight of the haunches as a distributed load across the slab and the weight of the walls is applied to the walls as a distributed vertical load. CIP box culvert designs use a similar approach.

6.3 *Dead Load – Additional Dead Loads (DW)*

No DW loads are included in the culvert design since Ericksson Culvert does not account for the pavement weight separately from the earth fill over the culvert. The fill depth measurement used by Ericksson Culvert includes the pavement thickness so only the difference in pavement and soil densities over the pavement thickness is actually neglected by Ericksson Culvert. In the CIP box culvert designs, the pavement was treated as a surcharge load and the fill depth used in the calculations was measured from the underside of the pavement.

6.4 *Vertical Earth Pressure (EV)*

This load accounts for the fill weight and is based on fill depth, measured from the top of the roadway to the top of the culvert, and the soil unit weight. A soil-interaction factor is applied based on the provisions of AASHTO LRFD Art. 12.11.2.2 assuming an embankment installation condition. The “Compacted Fill” option in Ericksson Culvert is utilized for the standard precast designs.

6.5 *Horizontal Earth Pressure (EH_{Min} and EH_{Max})*

This load accounts for the maximum and minimum horizontal earth pressure as described in AASHTO LRFD Art. 3.11.5.1 and Art. 3.11.7. The earth pressure assumes an at-rest condition and is calculated using an assumed angle of internal friction of 30 degrees. Minimum horizontal earth pressure is 50% of the overall earth pressure and is included in all load cases. The maximum earth pressure is the remaining 50% of the overall earth pressure and is added to the minimum earth pressure for load cases maximizing inward horizontal loads.

6.6 *Water Pressure (WA)*

This load accounts for water pressure pushing outward on the walls due to water inside the culvert. Water pressure is applied in load combinations minimizing horizontal inward forces.

6.7 *Live Load Surcharge (LS)*

The live load surcharge results in an inward horizontal pressure applied to the walls of the box culvert that is calculated according to AASHTO LRFD Art. 3.11.6.4. An equivalent fill height is calculated by interpolation from AASHTO LRFD Table 3.11.6.4-1. The “abutment height” used to determine the wall pressure is taken as the fill depth plus the overall height of the box culvert. The pressure exerted on the walls is calculated using AASHTO LRFD Eq. 3.11.6.4-1. The pressure is applied uniformly over the full height of the walls.

6.8 *Live Load (LL+IM)*

Vertical live load consists of the HL-93 design truck and design tandem as defined in AASHTO LRFD Art. 3.6.1.2. Ericksson Culvert utilizes a one-lane loaded condition and applies a 1.2 multiple presence

factor as directed by AASHTO LRFD Table 3.6.1.1.2-1. It can be shown that the one lane condition governs or provides nearly the same soil pressures as multiple lane conditions for span lengths typical to single cell box culverts. The CIP box culvert designs utilized one-, two-, and three-lane loaded conditions with applicable multiple presence factors and also were checked to ensure the SU8 rating truck did not control the design.

For fill heights 2.0 ft. or greater, wheel loads are uniformly distributed over a rectangular area in accordance with AASHTO LRFD Art. 3.6.1.2.6. The length and width dimensions of the rectangular area are the tire patch dimensions increased by the product of the fill depth and live load distribution factor (LLDF). Where such areas overlap, the total load is uniformly distributed over the entire area. As specified in AASHTO LRFD Art. 3.6.1.2.5, the tire patch length (parallel to the span) is assumed to be 10 in. and the width is assumed to be 20 in. By default, Eriksson Culvert uses 1.15 for the LLDF (referred to in the program as the Slope Factor). The standard precast designs are based on a LLDF of 1.00 per direction from the Iowa DOT. The CIP box culvert designs, MnDOT standards and ASTM C1577-20 use a LLDF of 1.15.

Eriksson Culvert neglects live loads when the fill depth is greater than 8 ft and when fill depth exceeds the length of the span, in accordance with AASHTO LRFD Art. 3.6.1.2.6. The CIP box culvert designs similarly neglected live load as allowed by AASHTO LRFD.

For fill heights less than 2.0 ft., the axle load is typically distributed perpendicular to the span as a line load. This condition is not applicable to the standard precast designs since the minimum fill height was 2.0 ft.

Both the design truck and design tandem are stepped across the box culvert by Eriksson Culvert in each direction at a user-defined interval. By default, this interval is 20 increments per cell. A similar approach was utilized for the CIP box culvert designs where the design truck and design tandem were stepped across the culvert at equal intervals not exceeding 1.0 ft., starting with the front axle over the left wall and ending with the rear axle over the right wall. This approach provides a live load envelope similar to the approach utilized by Eriksson Culvert.

Dynamic load allowance (IM) was calculated and applied based on the provisions of AASHTO LRFD Art. 3.6.2.2 for both the precast and CIP designs.

The soil pressure developed on the floor due to live load is modeled as a uniform distributed load by Eriksson Culvert. The load varies depending on the number of axles on the culvert. The number of axles on the culvert are computed for both forward and backward truck orientations to show the possible combinations of axles.

6.9 Load Cases and Combinations

The following three (3) load cases are utilized for the standard precast designs for both the AASHTO LRFD Strength I and Service I load combinations.

- *Case A – Maximize Vertical Forces/ Maximize Inward Horizontal Forces*
Maximize vertical and horizontal forces acting inward by applying maximum load factors and modifiers to DC, DW, EV, and EH. Include all loads except WA.

- *Case B – Maximize Vertical Forces / Maximize Outward Horizontal Forces*
Maximize vertical forces by applying maximum load factors and modifiers to DC and EV and including LL+IM. Maximize horizontal forces acting outward by applying minimum load factors and modifiers to EH_{Min} , including WA, and neglect LS.
- *Case C – Minimize Vertical Forces / Maximize Inward Horizontal Forces*
Minimize vertical forces by applying minimum load factors and modifiers to DC, EV and neglecting LL+IM. Maximize horizontal forces acting inward by applying maximum load factors to EH, including LS and neglecting WA.

Using the load factor and modifier values presented in Table 6-1, the general equations of each load case are as follows:

- Strength I - Case A
 $Q = 1.25 \cdot DC + 1.365 \cdot EV + 1.418 \cdot EH_{Max} + 1.75 \cdot (LL + IM) + 1.75 \cdot LS$
- Strength I - Case B
 $Q = 1.25 \cdot DC + 1.365 \cdot EV + 0.857 \cdot EH_{Min} + 1.75 \cdot (LL + IM) + 1.00 \cdot WA$
- Strength I - Case C
 $Q = 0.90 \cdot DC + 0.857 \cdot EV + 1.418 \cdot EH_{Max} + 1.75 \cdot LS$
- Service I - Case A
 $Q = 1.0 \cdot DC + 1.0 \cdot EV + 1.0 \cdot EH_{Max} + 1.0 \cdot (LL + IM) + 1.0 \cdot LS$
- Service I - Case B
 $Q = 1.0 \cdot DC + 1.0 \cdot EV + 1.0 \cdot EH_{Min} + 1.0 \cdot (LL + IM) + 1.0 \cdot WA$
- Service I - Case C
 $Q = 1.0 \cdot DC + 1.0 \cdot EV + 1.0 \cdot EH_{Max} + 1.0 \cdot LS$

Note the Strength I equations are relevant for only the moment and shear forces. Thrust at the strength-level was neglected for the standard precast designs.

7 Structural Analysis of Barrels

A 1.0 ft. wide strip of the culvert is modeled as a plane frame model with beam elements representing the slab, floor, and walls. Elements are taken along the centerline of each member and cross-sectional properties are derived from the member thickness and 12 in. The model is supported at one of the lower corners by a pinned support, restricting movement in the x- and y-directions, and a roller support in the opposite lower corner, restricting the movement in the y-direction only.

Eriksson Culvert accounts for the increased stiffness of the haunches in the internal structural model. The haunch stiffening effect was ignored in the development of the CIP box culvert designs.

Eriksson Culvert considers moments that produce tension on the inside face of the walls, slab, and floor as positive moments and compressive axial forces are considered as positive thrusts. This sign convention will be used in this document when discussing moments and thrusts.

The haunch has a corner stiffening effect that is accounted for in the structural model used by Eriksson Culvert. This stiffening effect results in higher moments in the box corners and lower moments at midspan of the members when compared to a model where the stiffening effect is neglected. The relative change in moment magnitude is reduced as the span and height of the barrel is increased. The stiffening effect was neglected for the CIP standard box culvert designs.

8 Barrel Design

8.1 Resistance Factors

Resistance factors for precast box culverts are specified in AASHTO Table 12.5.5-1 and equal 1.0 for flexure and 0.9 for shear. These values are slightly higher than the values presented in the same table for CIP box culverts and used in the development of the CIP box culvert designs (0.9 for flexure and 0.85 for shear).

8.2 Reinforcing Layout

Precast box culverts are generally reinforced with welded wire fabric composed of varying wire sizes and spacings. Eriksson Culvert provides the required area of reinforcing on a per foot basis at various locations in the culvert. The naming convention used by Eriksson Culvert to label the reinforcing at various locations, followed by the equivalent naming convention used by ASTM C1577-20 in parentheses are described as follows:

- A1/A2/B2 (As1) – The area of steel As1 is located in the outside face of the walls and continues into the outside face of the slab and floor. This reinforcing resists negative moments in the walls, slab, and floor and terminates in the slab and floor when it is no longer required for flexural strength.
- A100 (As2) – The area of steel As2 is located on the inside face of the slab and resists positive moments in the slab.
- A200 (As3) – The area of steel As3 is located on the inside face of the floor and resists positive moments in the floor.
- B1 (As4) – The area of steel As4 is located on the inside face of the walls and resists positive moments in the walls.
- C100 (As5) and C1 (As6) – These areas of steel As5 and As6 are the longitudinal reinforcing located in the outside and inside faces respectively. For fill heights 2 ft. or greater, these areas need to only satisfy minimum reinforcing requirements.
- A300 (As7) – The area of steel As7 is located near the center of the outside face of the slab and laps with the As1 steel. Since negative moments quickly dissipate inward from the corners, the As7 steel is typically controlled by minimum reinforcing requirements.

- A400 (As8) – The area of steel As8 is located near the center of the outside face of the floor and laps with the As1 steel. Since negative moments quickly dissipate inward from the corners, the As8 steel is typically controlled by minimum reinforcing requirements.

The precast box culvert standards also require reinforcing to be placed in the haunches. The nominal haunch reinforcing consists of #3 transverse bars spaced at 12 in. on center. A diagram showing the locations of the various reinforcing designations as well as the variable dimension designations used in the precast box culvert standards is presented in Figure 8-1. This manual will use the ASTM naming convention when referencing the reinforcing steel locations.

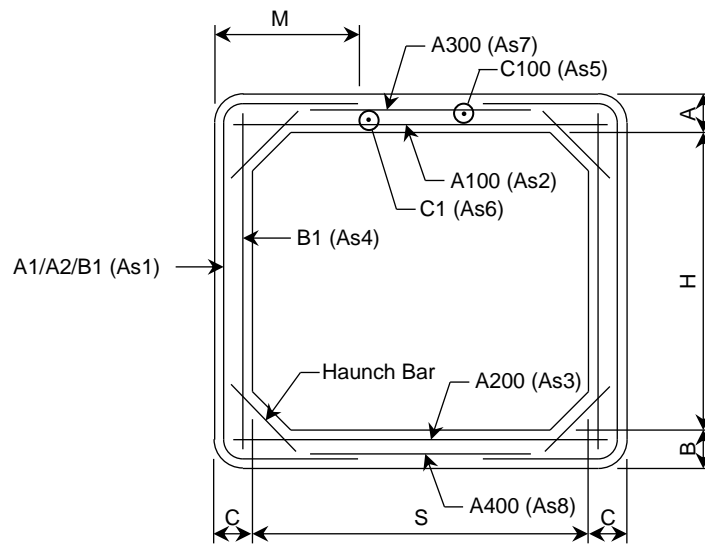


Figure 8-1 Typical Barrel Cross Section

8.3 Critical Sections

Eriksson Culvert determines the required reinforcing area and checks shear capacity at a number of critical sections. The required areas of reinforcing are typically controlled by a few significant critical sections. For the As1 reinforcing, the controlling critical sections are located at the toe of the haunch in the slabs, floor, and walls. For the remaining areas of reinforcing, the controlling critical sections are typically at or near the midspan of each member. Controlling critical sections for shear capacity are located at a distance d_v from the toe of the haunches in accordance with AASHTO LRFD Art. 5.7.3.2.

8.4 Reinforcing Wire Diameter and Maximum Spacing

Similar to the 2013 standards, the 2020 precast box culvert standards allow a range of 2 in. to 4 in. for transverse wire spacing. In Design Mode, Eriksson Culvert automatically fills the reinforcing schedule to meet design requirements. In this mode, wire spacing cannot be specified. Required reinforcing steel area will often be higher at a wider spacing due to crack control requirements. Therefore, results need to be checked in Analysis Mode with wire spacing set to 4 in. if Design Mode results show a required reinforcing steel area at a spacing less than 4 in. The process for development of the 2020 standards is as follows:

1. Run Eriksson Culvert in Design Mode.
2. Switch to Analysis Mode.
3. In the Reinforcement input screen, set wire spacing to 4 in. for any bars using a spacing of less than 4 in.
4. Incrementally increase the wire diameter as required to get a passing design.

In Design Mode, reinforcing wire diameter is unknown when determining member thicknesses, therefore, the Reinforcing Diameter is used to approximate the thickness of one layer of reinforcing. The Reinforcing Diameter is input in the Culvert Properties / Material Properties tab, where the default value is 1 in. Eriksson Culvert uses the actual diameter of the assigned or calculated reinforcing to determine design capacity at critical sections.

8.5 Strength-Level Flexural Reinforcing Requirements

The area of reinforcing required to satisfy the strength limit state is determined by Eriksson Culvert using AASHTO LRFD Eq. 12.10.4.2.4a-1 from the section pertaining to reinforced concrete pipe culverts. This equation is a function of both the factored moment and factored thrust and directly provides the required area of reinforcing needed to resist both moment and thrust.

Eriksson Culvert allows the user to assign strength-level load factors specific to the thrust forces. By default, Eriksson Culvert uses a load factor of 1.0 for the thrust forces. In AASHTO LRFD Eq. 12.10.4.2.4a-1, an increase in the thrust force results in a decrease in required reinforcing area. By using a lower load factor on the thrust force, the contribution of the thrust effect on the section capacity is reduced. The MnDOT standards conservatively ignored the thrust load at strength-level by assigning a value of 0 to the strength-level thrust load factors. The Iowa DOT has adopted this practice for the development of their standard precast designs.

When the thrust force terms are removed from AASHTO LRFD Eq. 12.10.4.2.4a-1, this equation can be algebraically reconfigured to match the conventional reinforced concrete beam equations presented in AASHTO LRFD Art. 5.6.3. Therefore, the design methodology for the slab and floor is consistent with the design of these elements in the CIP box culvert standards. The design of the walls differs though in that the CIP box culvert standard walls were designed as eccentrically loaded columns whereas the precast box culvert standard walls are designed as beams with no axial load.

8.6 Crack Control Requirement

Eriksson Culvert determines the reinforcing area required to satisfy the crack control provisions presented in AASHTO LRFD Art. 5.6.7. Eriksson Culvert accounts for both service-level moment and thrust and calculates the reinforcing stress by iterative solving of an equilibrium equation. While AASHTO LRFD Art. 5.6.7 limits the maximum reinforcing stress to 60% of yield stress, no limit on service load stress was imposed on the CIP or precast box culvert designs. Future redevelopment of these standards should consider implementing the 60% limit if so required by the current version of the LRFD Specifications.

By default, Eriksson Culvert uses a Class 1 exposure factor, which correlates with a moderate exposure condition. A Class 2 exposure factor was used in the MnDOT standards, correlating

to a severe exposure condition. Similarly, the Iowa DOT precast box culvert standards also use a Class 2 exposure factor. The CIP box culvert standards use a Class 1 exposure factor except for slabs in 0 ft. fill situations. The exposure class used in the ASTM C1577-20 is not explicitly stated in the standards, but is assumed to be Class 1.

8.7 Minimum Reinforcing Requirements

Eriksson Culvert provides a minimum longitudinal reinforcing area of 0.2% of the gross concrete area, as required by AASHTO LRFD Art. 12.11.5.3.2. MnDOT standards, following AASHTO LRFD Art. 5.10.6, set the minimum longitudinal reinforcing at 0.06 in²/ft for each face based on an assumed 12 in. for member thickness and width. Specified minimum longitudinal reinforcing for the Iowa DOT precast box standards for spans 12 ft. or less is consistent with the MnDOT standards. For the 14 ft. and 16 ft. spans, the minimum longitudinal reinforcing was increased to 0.11 in based on Art. 5.10.6 using a member width of 72 in. and a member thickness of 12 in. The CIP box culvert standards refer to AASHTO LRFD Art. 12.11.5.3.1 when calculating minimum reinforcing requirements.

8.8 Maximum Reinforcing Requirements

The previous version of the precast standards limited maximum reinforcing area according to AASHTO LRFD Eq. 12.10.4.2.4c-2. Although this equation relates to reinforced concrete pipe, it can be shown through algebraic manipulation that this equation limits the reinforcing area to 75% of the balanced steel ratio (ρ_b), which is the limit used in the MnDOT standards.

Eriksson Culvert does not impose a specific maximum limit on reinforcing. The current precast standards developed with Eriksson Culvert implemented the “sliding” ϕ -factor per AASHTO LRFD Art. C5.5.4.2.1 to lower the ϕ -factor when a section is heavily reinforced.

Reinforcing area for the standard CIP designs developed with CulvertCalc was further limited by the Iowa DOT to ensure the section would remain “tension controlled”, as described in AASHTO LRFD Art. 5.5.4.2. It can be shown that limiting the reinforcing area to 63.4% of ρ_b satisfies the minimum strain limit of 0.005 per AASHTO LRFD Art. C5.5.4.2.1 and Art. 5.7.2.1.

8.9 Shear Capacity

Shear capacity for the slab and floor differs depending on whether the fill depth is greater than or less than 2 ft. Since the minimum fill depth provided in the standard precast designs is 2 ft., the shear capacity of the slab, walls, and floor were calculated using AASHTO LRFD Eq.5.12.7.3-1.

The standard precast designs limit the maximum member thickness to 12 in. and do not include shear reinforcing. Thus, the member thicknesses were increased from the minimum thicknesses when the concrete shear capacity was inadequate. If the 12 in. member thickness limit was reached, the concrete strength was increased to 6 ksi.

8.10 Development of Welded Wire Reinforcing

Eriksson Culvert uses the equivalent capacity method to calculate the necessary embedment of the As1 reinforcement into the slab and floor, henceforth referred to as the “M” dimension. This length is determined by the location where the As1 reinforcing is no longer required and moment

in the slab and floor can be resisted by the As7 and As8 reinforcing, respectively. The greater of the distances in the slab and floor is then added to the development length of the As7 and As8 reinforcing to obtain the “M” dimension, which will be applied to the reinforcement in both members.

9 Adjustments to Eriksson Culvert Default Settings for Barrel Design

The standard precast designs are based on the following adjustments to the default settings:

- In Reinforcement:
 - If using welded wire fabric, select Mesh as Reinforcement Type
- In Culvert Properties / Physical Dimensions:
 - Set Haunch Dimensions to 12 in.
 - Set Reinforcement Cover values to 2 in.
- In Culvert Properties / Material Properties:
 - If using welded wire fabric, set reinforcing steel yield strength to 65 ksi
 - Set Exposure Factor to Class 2
 - Set Slope Factor to User-Defined with a value of 1.00
- In Static Loads:
 - Select Consider Interior Water Pressure
- In Analysis Options:
 - Set Flexure Critical Section Location to End of Haunch
 - Select Model Haunches in the Slabs and Model Haunches in the Walls

10 Loads for End Section Design

Loads placed on the end sections are generally consistent with the barrel design loads presented in Chapter 6, and will be further discussed in the following sections.

10.1 Load Factors and Load Modifiers

The load factors and load modifiers for the end section wall and floor design adhere to the barrel design load factors and modifiers presented in Section 6.1. Live load placement on the parapet is considered an extreme event by the Iowa DOT and utilizes a live load factor of 1.0. The DC load factor for the parapet design is 1.25, per AASHTO LRFD Table 3.4.1-2.

10.2 Dead Load – Self-Weight (DC)

The self-weight of the parapet is accounted for in the design of the parapet. Soil pressure acting on the floor due to self-weight of the walls and haunch is included in the floor design. The crack-control check in the walls accounts for the self-weight of the walls. For dead load calculations, the haunch is assumed to be 12 inches tall and 12 inches wide.

10.3 Dead Load – Additional Dead Loads (DW)

No additional dead loads are applied to the end sections.

10.4 Vertical Earth Pressure (EV)

Vertical earth pressure acting on the lintel beam is accounted for in the Type 1 slab design and Type 3 lintel beam design. Vertical earth pressure does not influence the end section wall or floor design.

10.5 Horizontal Earth Pressure (EH_{Min} and EH_{Max})

Horizontal earth pressure acting on the end section walls is identical to the horizontal earth pressure placed on the barrels and is described in Section 6.5.

10.6 Water Pressure (WA)

Water pressure acting on the end section walls and floor is accounted for in a manner identical to the barrel design as presented in Section 6.6.

10.7 Live Load Surcharge (LS)

The end sections are assumed to be beyond the live load surcharge zone of influence and thus no live load surcharge is applied to the end sections.

10.8 Live load (LL+IM)

Live load is placed on the culvert end sections to account for an extreme event condition. Based on Iowa DOT guidelines, the live load consists of a single 16 kip wheel load and a multiple presence factor of 1.2. Dynamic load allowance is taken as 0.33. The wheel load is placed at midspan for design of the flexural reinforcing and at a distance d_v from the inside face of the wall for verification of shear capacity.

10.9 Load Combinations

Load combinations are specific to each element of the end section and are configured to create a maximum force effect in that element. These combinations are defined below.

- *Case A - Design of AH Steel in Walls*
The AH reinforcing steel is flexural reinforcing in the outside face of the walls. To maximize the moments inducing tension in this steel, horizontal earth pressure on the walls is maximized by applying EH_{Max} and the WA load is neglected. The DC loads are also applied. This load combination is also used to design the reinforcing steel on the inside face of the walls by assuming the wall acts as a propped cantilever at the barrel connection.
- *Case B - Design of AH Steel in Floor*
The AH reinforcing steel is also the flexural reinforcing in the bottom of the floor. To maximize the moments inducing tension in this steel, horizontal earth pressure on the walls is maximized by applying both EH_{Min} and EH_{Max} and the WA load is neglected. The DC loads inducing soil pressure on the floor are minimized.
- *Case C – Design of As3 Steel in Floor*
The As3 reinforcing steel is the flexural reinforcing in the top of the floor. To maximize the moments inducing tension in this steel, the horizontal earth pressure on the walls is minimized by only applying EH_{Min} , and the WA load is applied. The DC loads inducing soil pressure on the floor are maximized.
- *Case D – Parapet, Lintel, A_t , and A_b Design*
As previously discussed, LL+IM is applied to the parapet of both end section types, the lintel beam for the Type 3 end section, and the slab for the Type 1 end section in an extreme

event condition. The DC and EV loads for the parapet are also included in this load combination.

Using the load factor and modifier values presented in Table 6-1, the general equations of each load case are as follows:

- Strength I - Case A

$$Q = 1.25 \cdot DC + 1.418 \cdot EH_{Max}$$

- Strength I - Case B

$$Q = 0.90 \cdot DC + 1.418 \cdot EH_{Max}$$

- Strength I - Case C

$$Q = 1.25 \cdot DC + 0.857 \cdot EH_{Min} + 1.00 \cdot WA$$

- Strength I - Case D

$$Q = 1.25 \cdot DC + 1.00 \cdot (LL + IM)$$

- Service I - Case A

$$Q = 1.0 \cdot DC + 1.0 \cdot EH_{Max}$$

- Service I - Case B

$$Q = 1.0 \cdot DC + 1.0 \cdot EH_{Max}$$

- Service I - Case C

$$Q = 1.0 \cdot DC + 1.0 \cdot EH_{Min} + 1.0 \cdot WA$$

- Service I - Case D

$$Q = 1.25 \cdot DC + 1.30 \cdot EV + 1.0 \cdot (LL + IM)$$

Note the Strength I equations are relevant for only the moment and shear forces. Thrust at the strength-level was neglected for the standard end section designs.

10.10 Comparison to CIP Headwall Standards

The component loads and load combinations selected for design of the precast end sections are consistent with the precast barrel design methodology but differ from the component loads and load combinations used for the development of CIP parallel wing headwalls (PWHs). In general, the PWHs designs applied hydrostatic pressure on the outside of the headwall assuming a saturated soil condition and neglected hydrostatic pressure acting on the inside of the headwall. The four (9) load combinations used in the design of the PWHs are presented below. Load combinations 1 through 4 are for design near the parapet, where the wall is modeled as a propped cantilever. Load combinations 5 through 8 are for design at the point at which wall

height is $\frac{3}{4}$ of the maximum wall height. Load combination 9 is for design of the walls at the point where alternating vertical bars in the back face of wall are eliminated.

- Load Combinations 1 and 5 assumed minimal dry soil ($\gamma = 0.120$ pcf) pressure on the walls and maximum DC loads. This combination was intended to maximize tension in the top of the floor.
- Load Combinations 2 and 6 assumed minimal saturated soil ($\gamma = 0.135$ pcf) pressure on the walls, maximum DC loads, and hydrostatic pressure outside the headwall. The effective unit weight of the soil was used and the hydrostatic pressure acted inward on the walls and upward on the floor. This combination was also intended to maximize tension in the top of the floor.
- Load Combinations 3 and 7 assumed maximum saturated soil pressure on the walls and minimum DC loads. Load combination 3 was intended to maximize tension in the front face of wall. Load combination 7 was intended to maximize tension in the bottom of the floor.
- Load Combinations 4, 8 and 9 assumed maximum saturated soil pressure on the walls, maximum DC loads, and hydrostatic pressure outside the headwall. These combinations were intended to maximize tension on the back face of the walls.

11 Structural Analysis of End Sections

The structural analysis methods vary with each element in the end section and are presented in detail in the following sections. Haunch dimensions for determining the critical section location are consistent with the haunch dimensions provided in ASTM C1577-20 since these dimensions are typically smaller than the standard 12 inch haunch used in the Iowa DOT and MnDOT standards. This approach leads to a conservative design for the end sections mated with Iowa DOT and MnDOT standard barrels.

11.1 Design Model for AH Steel In Walls

The Type 3 end section walls are modeled as a cantilever with the fixed base located at the toe of the haunch. The second precast segment from the end of the barrel is considered the critical segment for the design of the AH steel in the walls for both the first and second precast segments since the first precast segment is assumed to function as a propped cantilever. The design height of the wall is conservatively taken as the maximum segment height. The wall is modeled as a 12 in. wide strip. The AH steel in the walls and floors of the first segment of a Type 1 end section is taken from the design of a Type 3 section of equivalent height.

11.2 Design Model for AH Steel in Floor

In a manner consistent with the barrel design, the end section is assumed to have pinned supports located at the bottom of each wall. Similar to the model presented in Section 11.1, the second precast segment from the end of the barrel is considered as the critical segment for design of the AH steel in the floor for both the first and second precast segments and the design wall height is taken as the maximum segment height. The wall and floor are modeled as 12 in. wide strips. As stated in Section 11.1, the AH steel in the walls and floors of the first segment of a Type 1 end section is taken from the design of a Type 3 section of equivalent height.

11.3 Design Model for As3 Steel in Floor

The model for the As3 reinforcing steel in the floor is identical to the model presented in Section 11.2.

11.4 Design Model Steel on Inside Face of Wall

To generate moments that cause tension in the inside face reinforcing, the wall is modeled as a propped cantilever with a pin support at the top of the wall and a fixed support at the centerline of the floor. This model only applies to the first precast segment from the end of the barrel. Wall height is taken as the rise of the connecting barrel. The wall is modeled as a 12 in. wide strip. This method applies to design of inside face reinforcing for both Type 1 and Type 3 end sections.

11.5 Design Model for Ab Steel in the Slab of Type 1 End Sections

For the design of tension reinforcing for the bottom face of the slab portion of Type 1 end sections, the slab is assumed to act as a simple span. The slab directly supports the dead load of the parapet and the vertical earth load. The live load described in Section 10.8 is distributed proportionally between the slab section and the parapet based on each member's moment of inertia.

11.6 Design Model for At Steel in the Slab of Type 1 End Sections

For the design of tension reinforcing for the top face of the slab portion of Type 1 end sections, the slab is assumed to act as a span fixed at both ends. The slab is assumed to directly support the dead load of the parapet, the vertical earth load, and a portion of the live load as described in Section 11.5.

11.7 Parapet and Lintel Beam Design Model

The parapet and lintel beams are designed as a simply supported beam with supports located at the centerline of the walls. The models used for Type 1 and Type 3 parapet design are described below:

- The dead load of the parapet is assumed to be directly supported by the end section slab. As stated in Section 11.5, the live load is distributed between the parapet and the end section slab proportionally based on each member's moment of inertia.
- Parapets of Type 3 end sections at 0° skew are designed to carry the dead load of both the parapet and the lintel beam, the total vertical earth load, and the total live load.
- For skewed Type 3 end sections, the 2'-6 wide portion of non-skewed lintel beam is designed for the moment caused by 50% of the total lintel beam dead load and vertical earth load, with the span taken perpendicular to the barrel centerline. The lintel beam is also designed for the moment generated by 100% of the live load distributed across the 2'-6 beam width. The parapet of a skewed Type 3 end section is designed for the moment from the parapet dead load, as well as moment caused by the remaining 50% of lintel beam dead load and vertical earth load. The live load for the Type 3 parapet is applied to the parapet, with the span taken along the skew.

12 End Section Design

12.1 Resistance Factors

Resistance factors for the end section design are identical to the resistance factors used for the barrel design as presented in Section 8.1.

12.2 Type 3 Reinforcing Layout

Similar to the barrels, the Type 3 end sections are designed for welded wire fabric reinforcing. The naming convention for reinforcing in various sections follows the convention used in the existing Iowa DOT precast end sections and is defined as follows:

- AH – The area of steel AH is located in the outside face of the walls and the bottom face of the floor.
- As3 – The area of steel As3 is located in the top face of the floor.
- As4 - The area of steel As4 is located on the inside face of the walls.

Similar to the barrel sections, the end section haunch reinforcing consists of #3 transverse bars spaced at 12 in. on center. A diagram showing the locations of the various reinforcing designations for the Type 3 precast end section standards is presented in Figure 12-1.

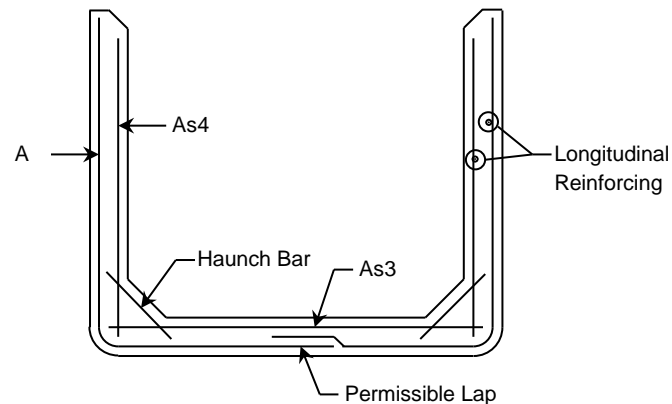


Figure 12-1 Type 3 End Section Reinforcing Layout

12.3 Type 1 Reinforcing Layout

The Type 1 end sections are designed for welded wire fabric reinforcing. The reinforcing for the walls and floor of the first two feet of the precast segment adjacent to the barrel is taken from the design of a Type 3 end section of equivalent height. The remaining sections of a Type 1 end section are identical to that of an equivalent Type 3 end section. The reinforcing for the slab and top half of the walls of a Type 1 end section are defined as follows:

- A_t – Area of steel A_t is located on the outside face of the slab, and continues into the outside face of the walls.
- A_b – Area of steel A_b is located on the inside face of the slab.

- AH, As3, and As4 – These areas of steel are similar to the Type 3 end section areas and are described in Section 12.2.

A diagram showing the locations of the various reinforcing designations for the first two feet of Type 1 precast end section adjacent to the barrel is presented in Figure 12-2 Type 1 End Section Reinforcing Layout.

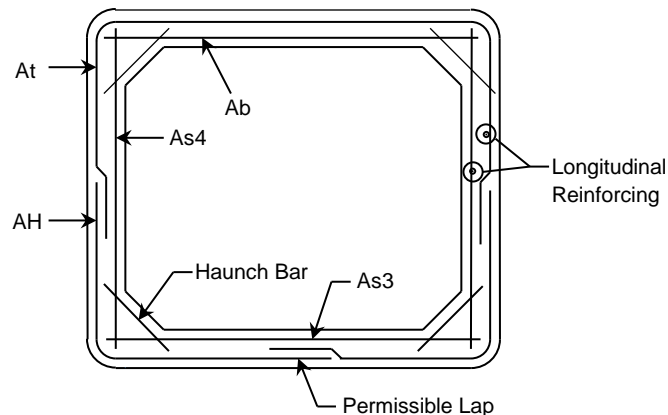


Figure 12-2 Type 1 End Section Reinforcing Layout

12.4 Critical Sections

Critical sections for flexural design are located at the toe of the haunch in the floor and wall for the AH reinforcing and at midspan of the floor for the As3 reinforcing. For the reinforcing on the inside face of the wall, the critical section is located at the point of maximum moment. The critical sections for A_t reinforcing are located at the toe of the haunches and the critical section for A_b reinforcing is located at midspan of the slab. Critical sections for shear capacity are a distance d_v from the toe of the haunch in the floor, walls, and slab.

12.5 Reinforcing Wire Diameter and Maximum Spacing

Effective reinforcing diameter is set at 1 in. The maximum assumed wire spacing is consistent with the barrel design and is assumed to be 4 in.

12.6 Strength-Level Flexural Reinforcing Requirements

The area of reinforcing required to satisfy the strength limit state is determined using AASHTO LRFD Eq. 5.6.3.2.2-1 whereas the barrels were designed using AASHTO LRFD Eq.

12.10.4.2.4a-1. While these two equations appear very different, once the thrust force term is removed from the latter equation, it can be algebraically reconfigured to match the former equation. Hence, the strength-level flexural design requirements for the end sections are identical to the barrel designs.

12.7 Crack Control Requirement

The end section designs determine the minimum reinforcing area required to satisfy the crack control per AASHTO LRFD Art. 5.6.7 using the Class 2 exposure factor and 60% steel stress limit.

12.8 Minimum Reinforcing Requirements

Minimum transverse reinforcing for the end section designs is 0.2% of the gross concrete area, as required by AASHTO LRFD Art. 12.11.5.3.2. Minimum longitudinal reinforcing is set at 0.06 in.²/ft. for 6 ft. through 12 ft. spans and 0.11 in.²/ft. for 14 ft. and 16 ft. spans, following the same methodology used for the barrel designs as discussed in Section 8.7.

12.9 Maximum Reinforcing Requirements

Maximum reinforcing for the end section designs is limited to 63.4% of ρ_b to ensure the section remains “tension-controlled”. The basis of this limit is described in Section 8.8.

12.10 Shear Capacity

Shear capacity for the end section walls and floor is calculated per the simplified procedure presented in AASHTO LRFD Art. 5.7.3.4.1. In the case of the end sections, adequate results are provided by the simplified procedure and thus the more complex general procedure was not employed in the end section design.