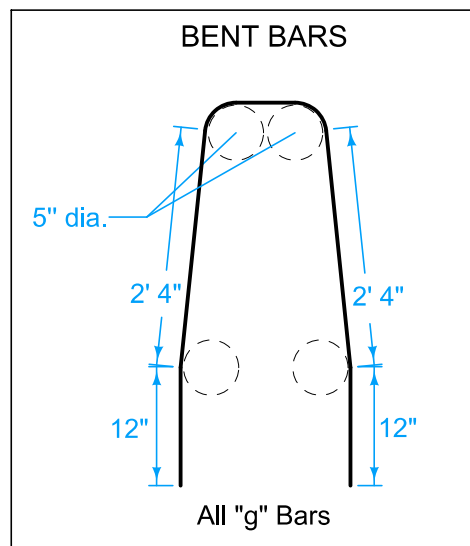
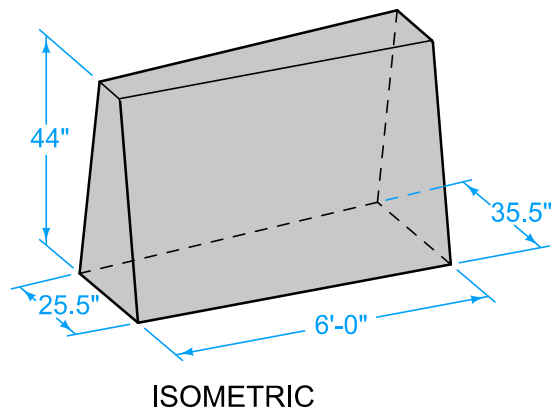


Use epoxy-coated grade 60 reinforcing bars. Provide 2 inches minimum cover. Anchor barrier reinforcement to prevent movement. Secure each section at the front, back, and at 3'-6" minimum intervals using a method approved by the Engineer.

- ① Use 1 inch diameter deformed dowel bars of sufficient length to ensure 6 inch minimum embedment in barrier and supporting surface. Install bars either in supporting surface when placed or in drilled holes using polymer grout complying with Materials I.M. 491.11 or hydraulic cement grout complying with Materials I.M. 491.13.
- ② Fillet all exposed corners with a 3/4 inch dressed and beveled strip.
- ③ Provide 3 feet overlap of reinforcing steel between sections.



REINFORCING BAR LIST				
Per Section (6'-0")				
Mark	Size	Number of Bars	Length	Weight (lbs.)
f1	5	10	5'-9"	60
g1	5	1	7'-5"	8
g2	5	1	7'-7"	8
g3	5	1	7'-8"	8
g4	5	1	7'-10"	9
g5	5	1	7'-11"	9
g6	5	1	8'-1"	9
g7	5	1	8'-3"	9

CONCRETE QUANTITIES
Per Section
1.5 cy

Possible Contract Item:
Concrete Barrier, BA-101

Possible Tabulation:
103-18

	REVISION	
	2	10-18-22
STANDARD ROAD PLAN		BA-101
		SHEET 1 of 1

REVISIONS: Changed from F-shape to Texas single slope, Change reinforcing.

APPROVED BY DESIGN METHODS ENGINEER

**44" CONCRETE MEDIAN BARRIER
WIDTH TRANSITION**