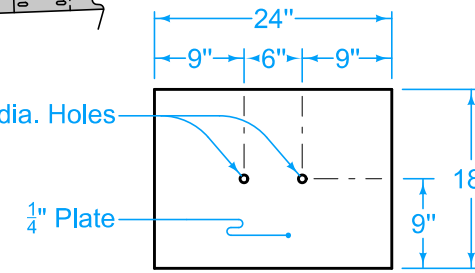


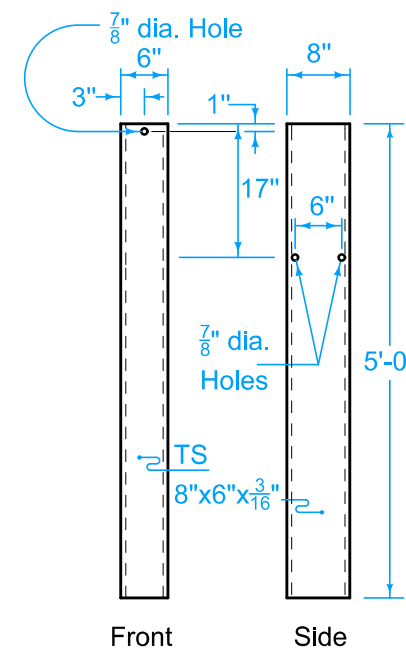
- ① Slotted holes  $\frac{29}{32}$ " x  $1\frac{1}{8}$ " long.
- ② Refer to BA-200.
- ③ Cover entire face of end section with alternating black and yellow striped adhesive sheeting. Stripes shall be approximately 3 inches in width and shall be sloped down at an angle of 45 degrees toward the side on which traffic is to pass the end anchor. Yellow stripes shall meet the retroreflectivity requirements for Type III or Type IV reflective sheeting.



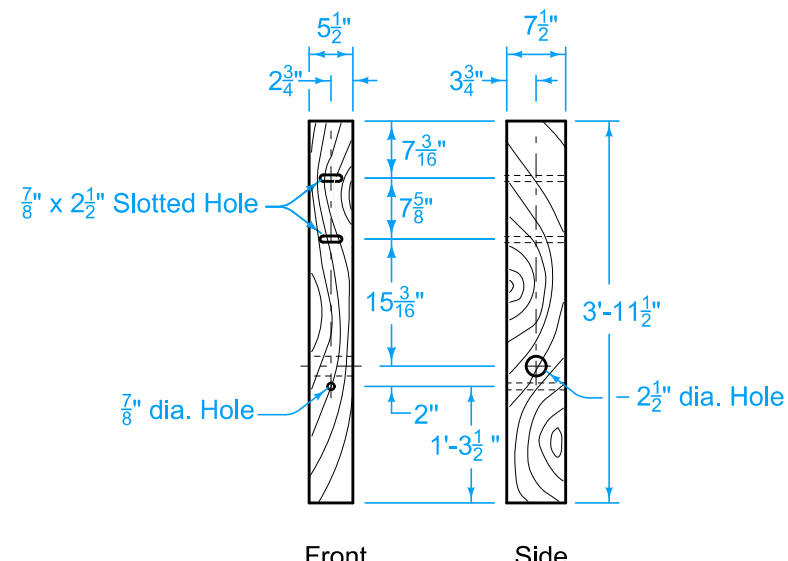
SOIL PLATE

Possible Contract Item:  
Steel Beam Guardrail End Anchor, Thrie-Beam

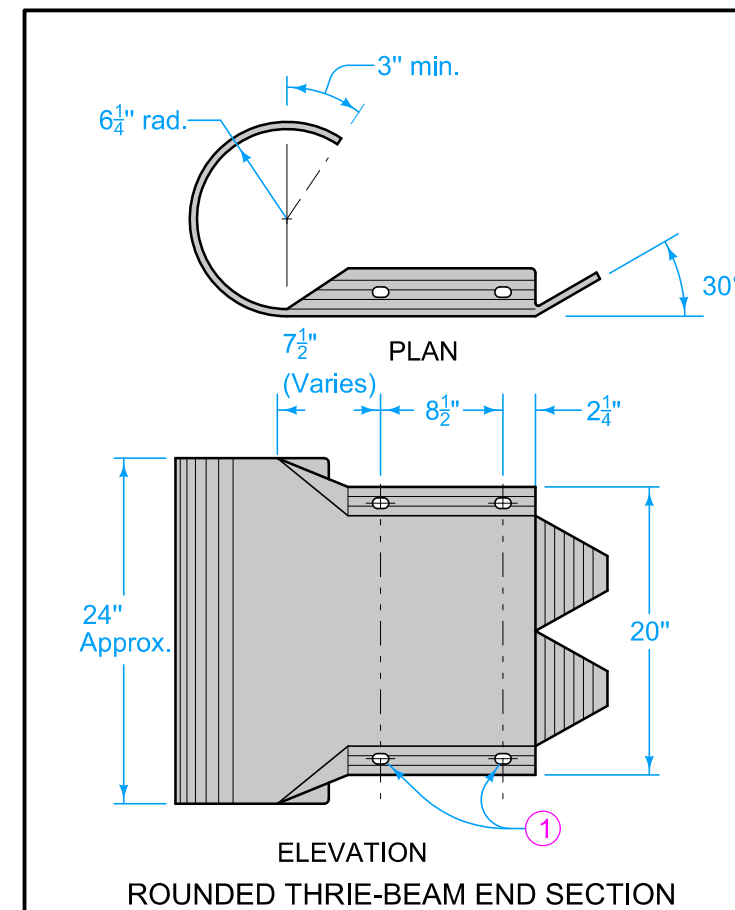
- Materials included in the Contract Item:
- (1) 12'-6" Thrie-Beam rail section
  - (1) 12'-6" W-Beam rail section
  - (1) Asymmetrical Transition Section
  - (2) Thrie-Beam posts (wood or steel - match remainder of installation)
  - (3) W-Beam posts (wood or steel - match remainder of installation)
  - (3) W-Beam blockouts
  - (2) Thrie-Beam blockouts
  - (1) BCT Wood Post
  - (1) Rounded Thrie-Beam End Section
  - (1) Anchor Bracket Assembly
  - (1) Cable Assembly
  - (1) Foundation Tube Assembly with Soil Plate
  - (1) Pipe Sleeve
- Approved bolts, nuts, and washers



FOUNDATION TUBE



BCT WOOD POST



ROUNDED THRIE-BEAM END SECTION

	REVISION	
	3	10-18-22
<b>STANDARD ROAD PLAN</b>		<b>BA-204</b>
REVISIONS: Added 12'-6" of W-Beam Guardrail.		SHEET 1 of 1

APPROVED BY DESIGN METHODS ENGINEER

**STEEL BEAM GUARDRAIL  
THRIE-BEAM END ANCHOR**