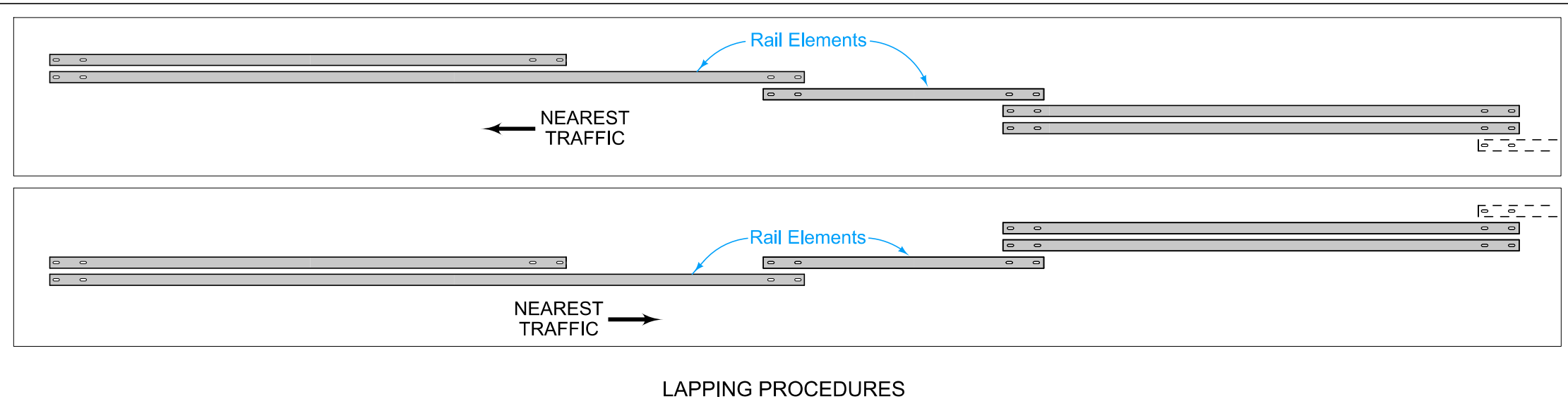
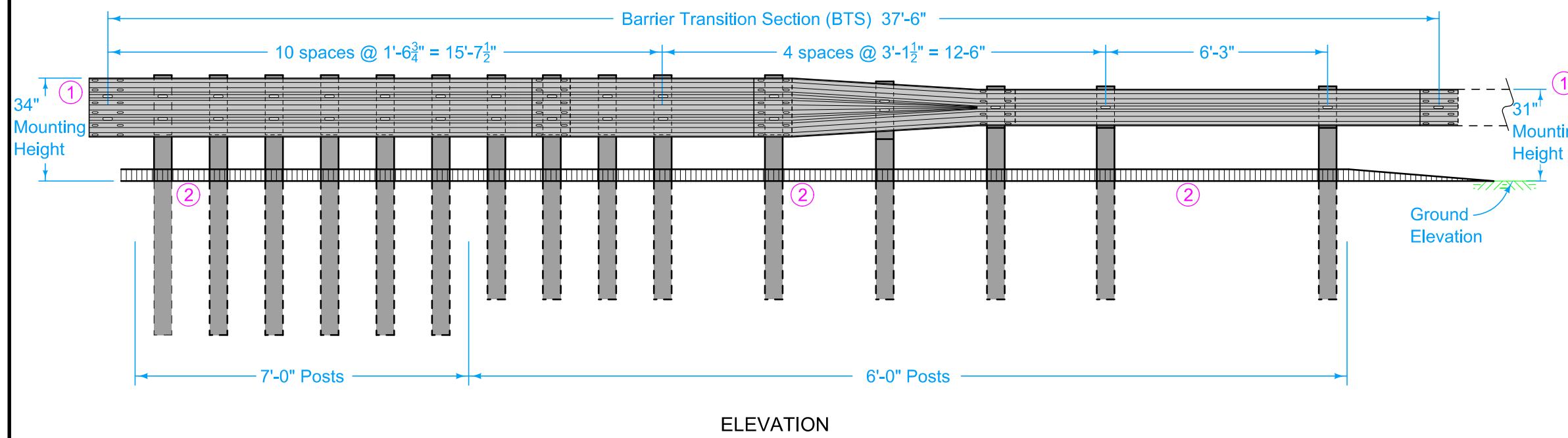
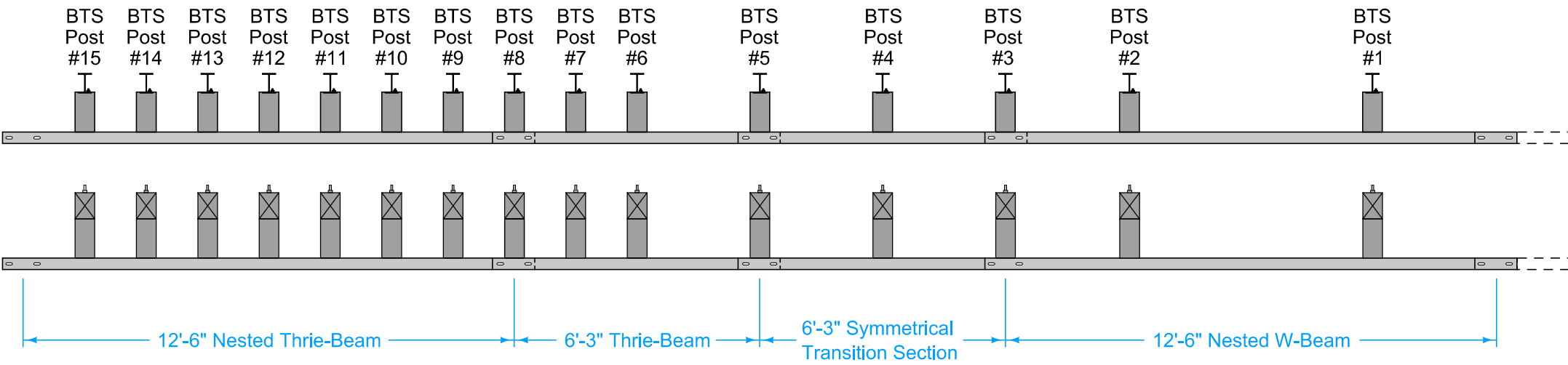


DESIGNER INFORMATION



At Bridge End Drains, cut Scour Protection (Transition Mat and Turf Reinforcement Mat) or remove rock as required to place post(s) such that Bridge End Drains abut post(s).

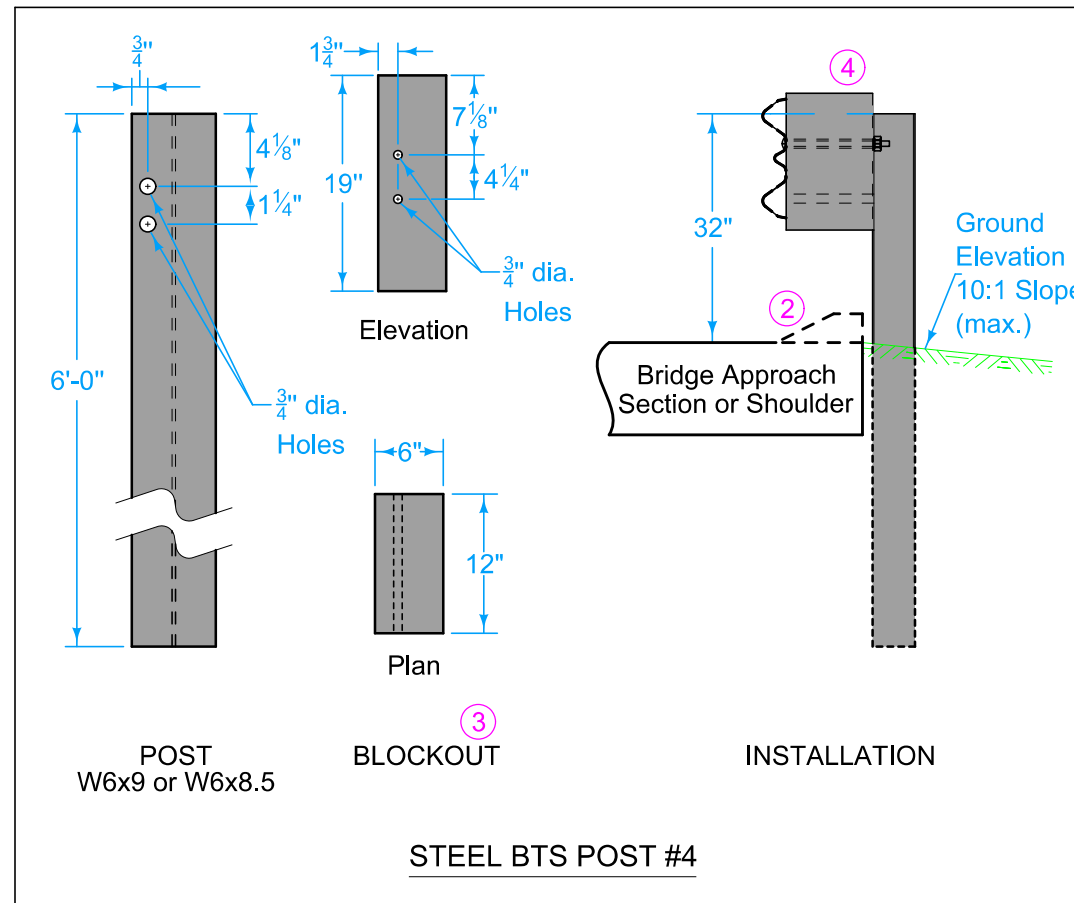
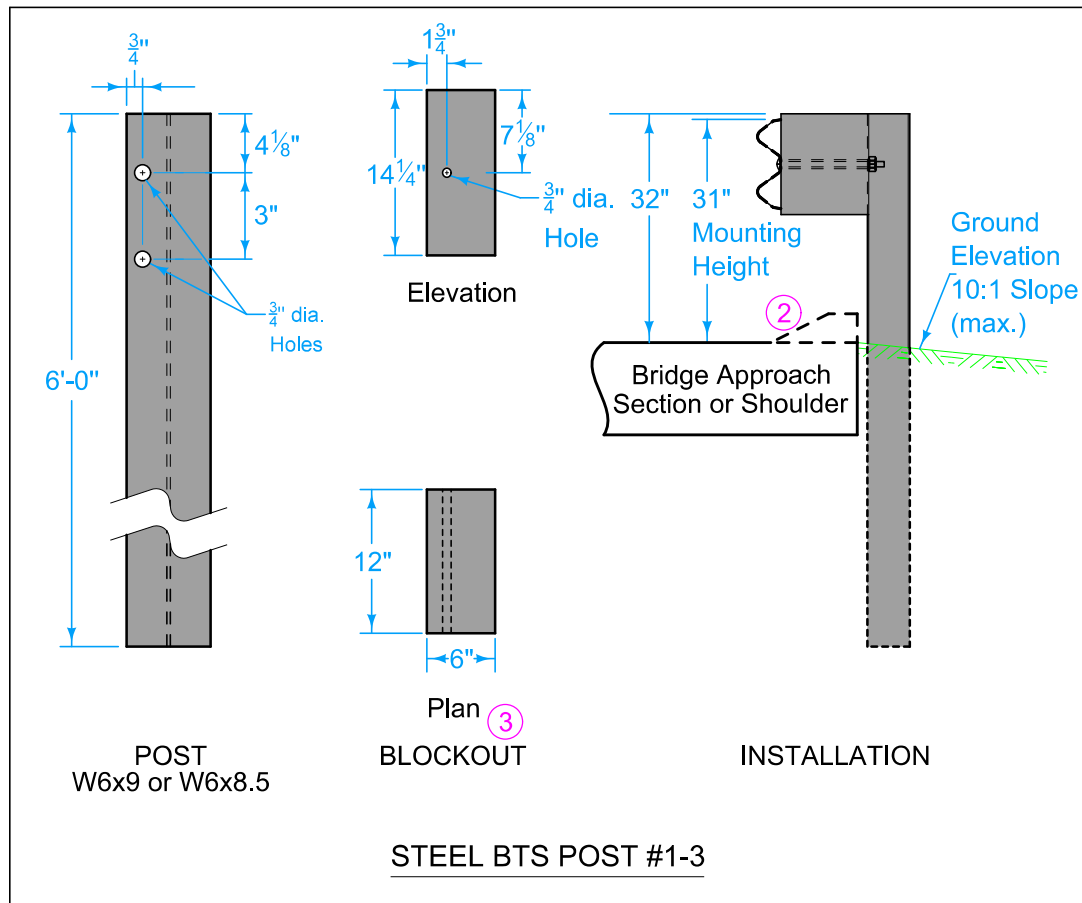
- ① Guardrail mounting height at barrier connection and posts 5-15 is 34 inches. Guardrail mounting height at posts 1-3 is 31 inches.
- ② Possible 4 inch sloped curb. See project plans. Refer to PV-102 for curb and runout details.

Possible Contract Item:
Steel Beam Guardrail Barrier Transition Section, BA-209

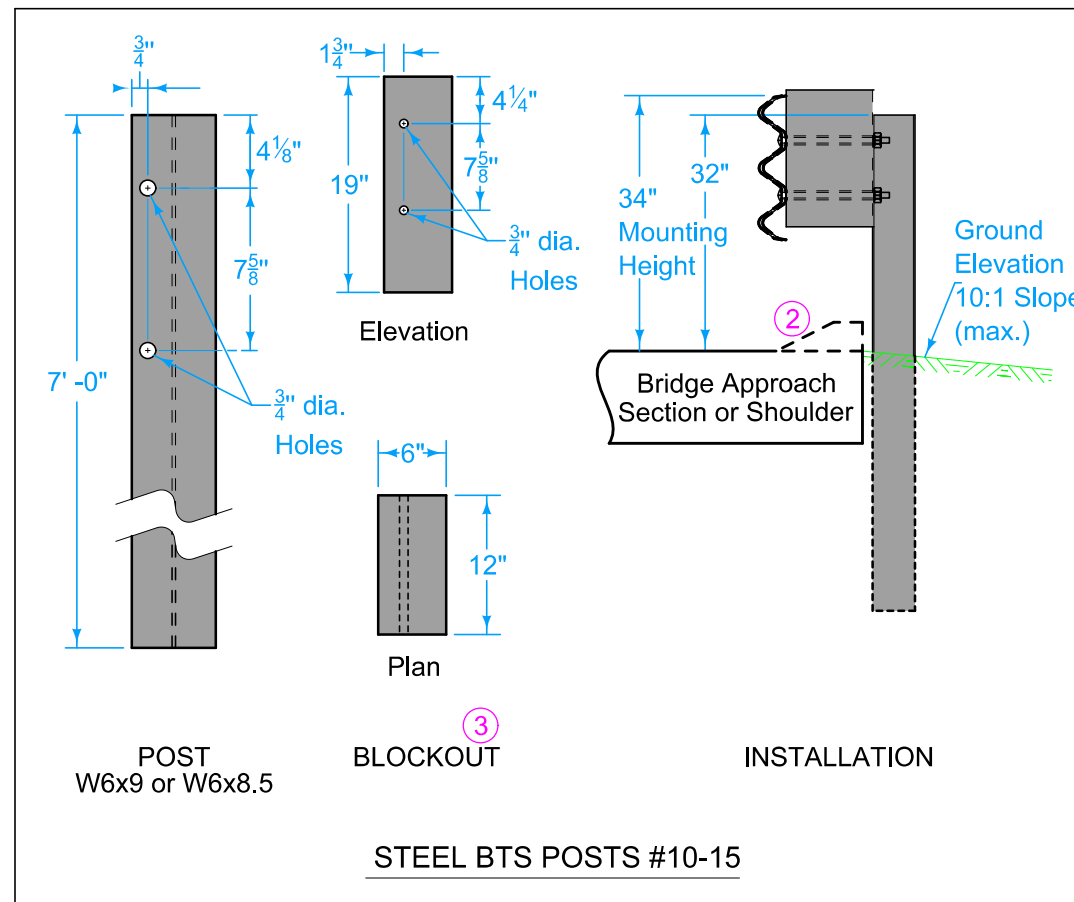
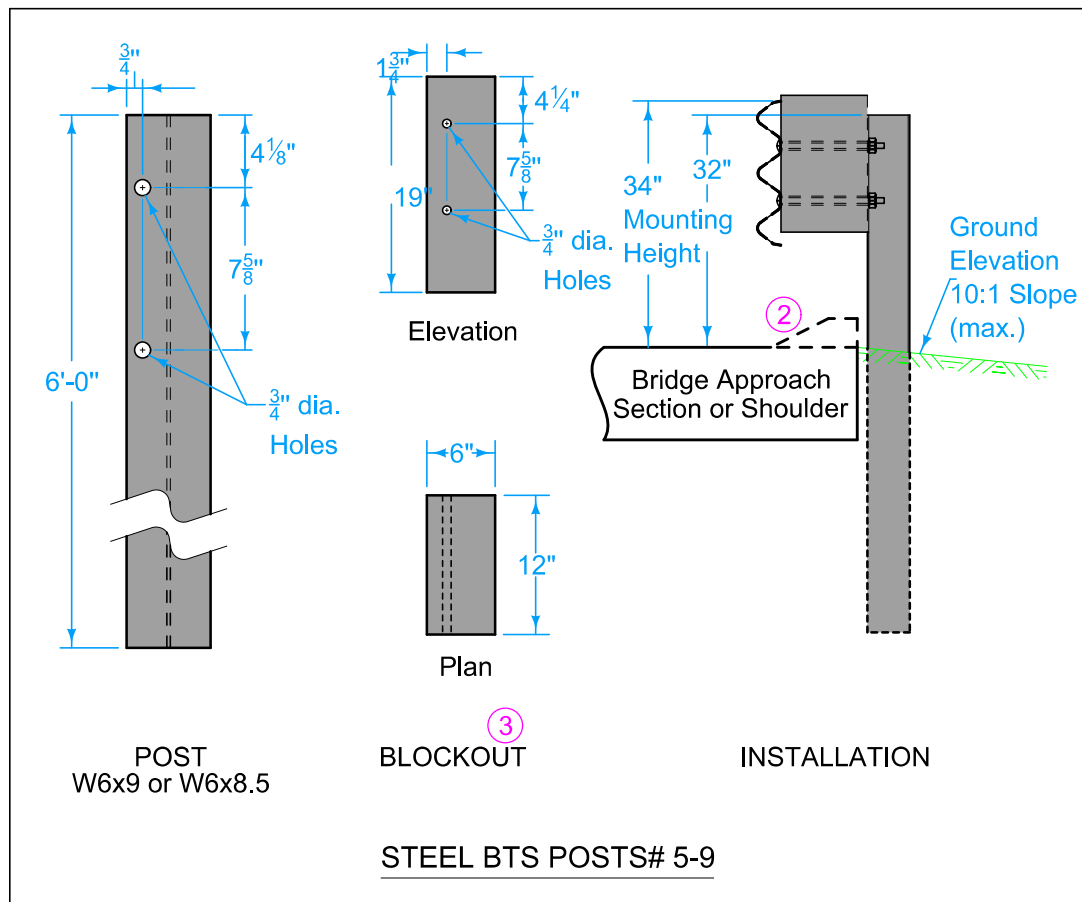
- Materials included in the Contract Item:
- Steel Post Option:
- (9) W6x9 x 6'-0" posts
 - (6) W6x9 x 7'-0" posts
 - (12) 6" x 12" x 19" blockouts
 - (3) 6" x 12" x 14" blockouts
- Wood Post Option:
- (9) 6" x 8" x 6'-0" posts
 - (6) 6" x 8" x 7'-0" posts
 - (12) 6" x 12" x 19" blockouts
 - (3) 6" x 12" x 14" blockouts
- (1) Symmetrical Transition Section
 - (2) 12'-6" Thrie-Beam rail sections*
 - (1) 6'-3" Thrie-Beam rail section*
 - (2) 12'-6" W-Beam rail sections
- Approved bolts, nuts, and washers
Refer to BA-200 for guardrail components

* One 18'-9" Thrie-Beam rail section may be substituted for one of the 12'-6" sections and the 6'-3" section as shown

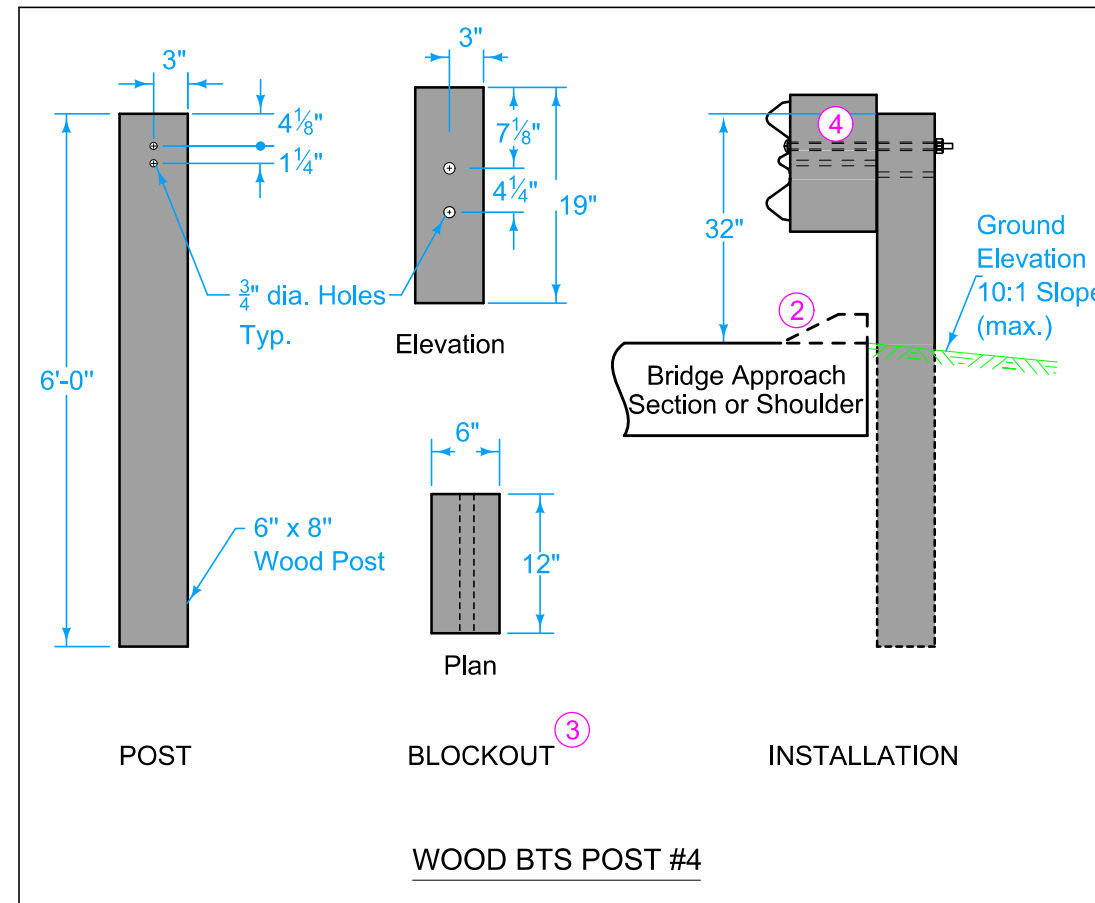
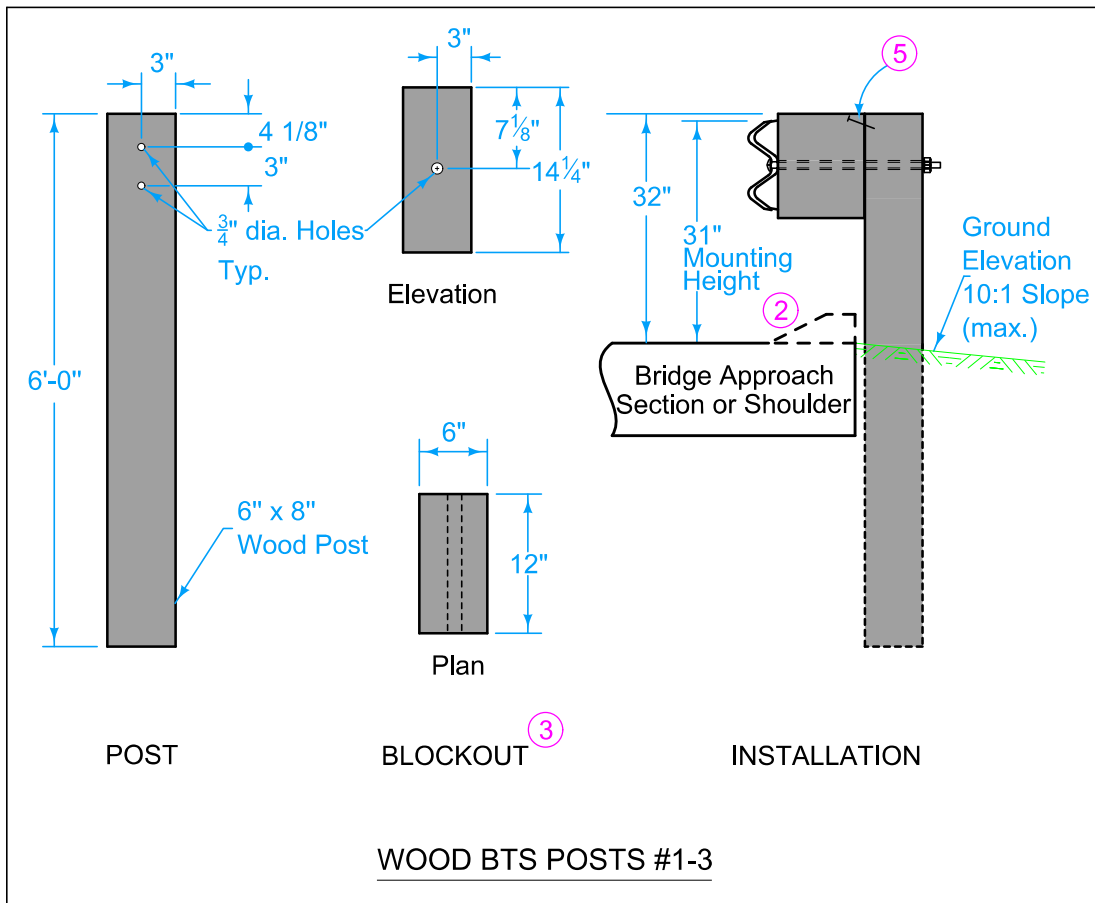
 STANDARD ROAD PLAN	REVISION	
	NEW	10-15-24
BA-209		SHEET 1 of 3
REVISIONS: NEW		
 <small>APPROVED BY DESIGN METHODS ENGINEER</small>		
STEEL BEAM GUARDRAIL BARRIER TRANSITION SECTION (MASH TL-3, 34" mounting height)		



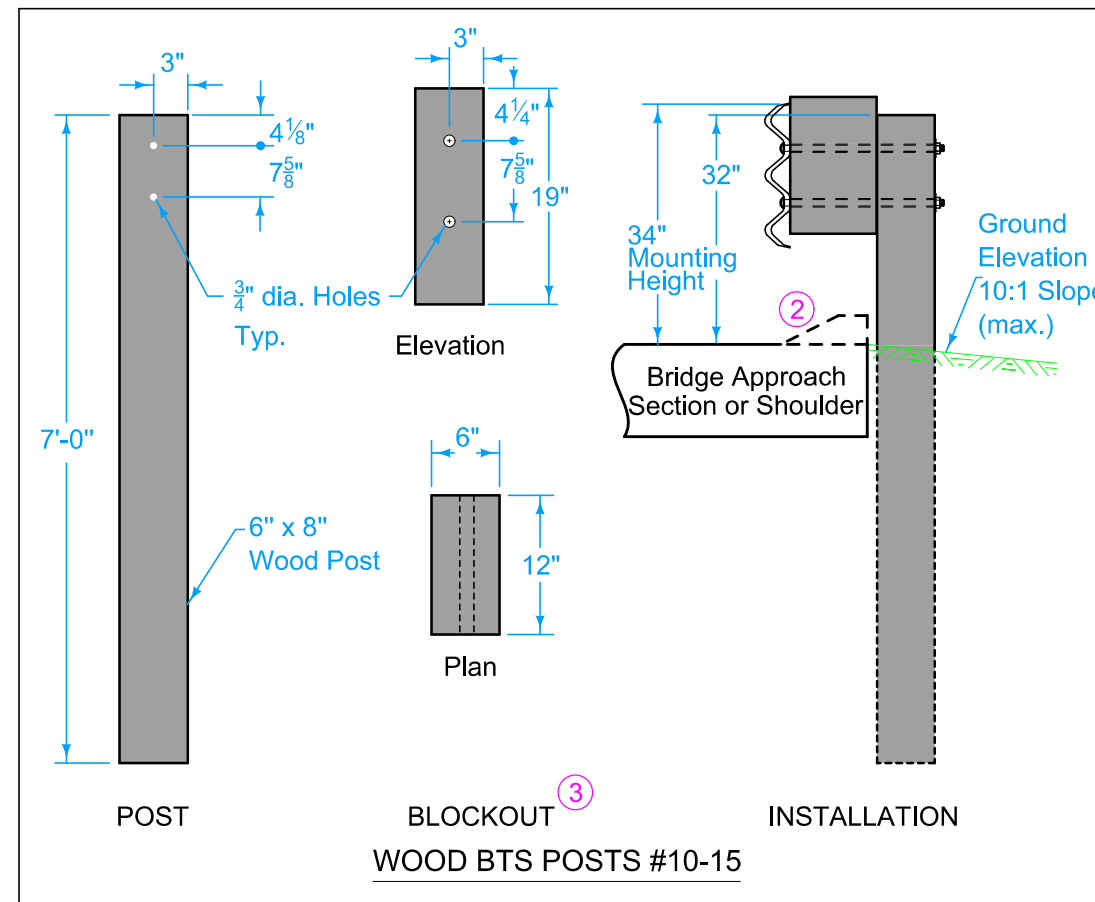
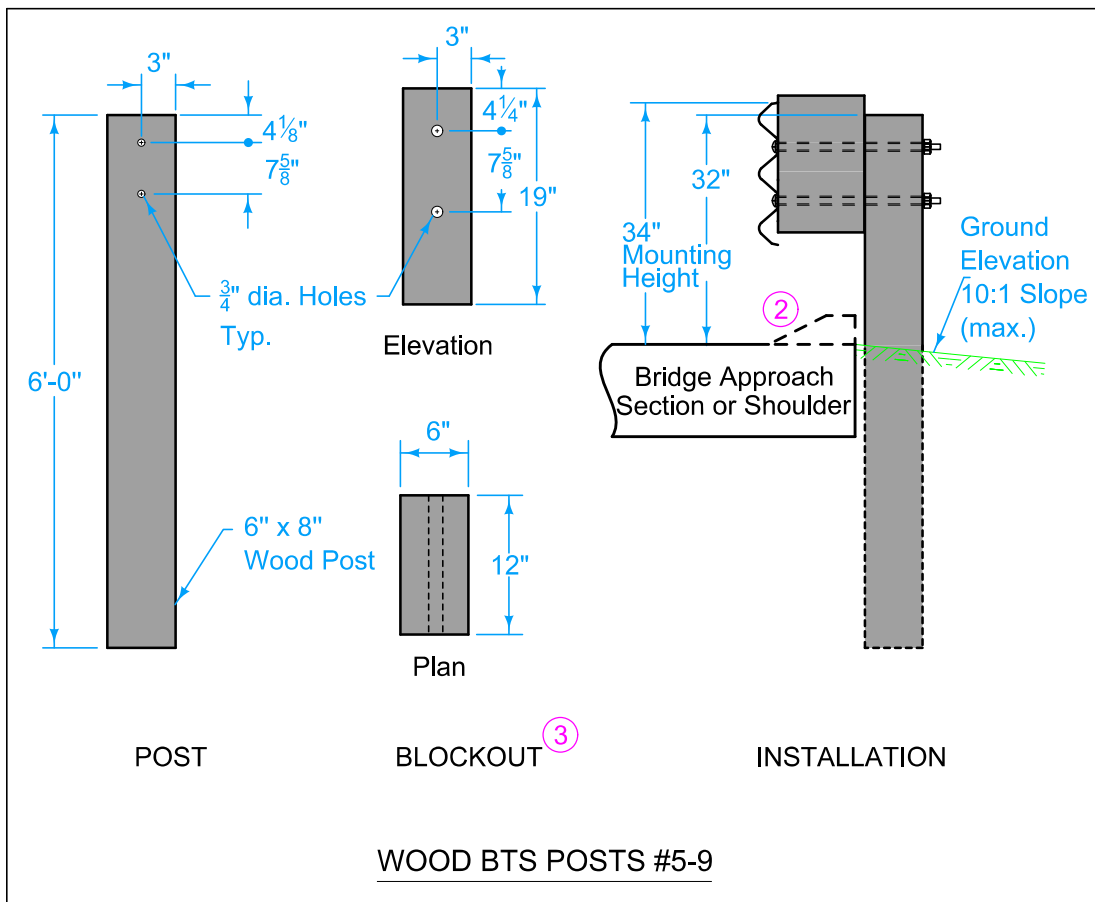
- ② Possible 4 inch sloped curb. See project plans. Refer to PV-102 for curb and runout details.
- ③ Wood or composite only. Steel blockouts will not be allowed.
- ④ Place bolt in top hole only.



	REVISION	
	NEW	10-15-24
STANDARD ROAD PLAN		BA-209
REVISIONS: NEW		SHEET 2 of 3
APPROVED BY DESIGN METHODS ENGINEER		
STEEL BEAM GUARDRAIL BARRIER TRANSITION SECTION (MASH TL-3, 34" mounting height)		



- ② Possible 4 inch sloped curb. See project plans. Refer to PV-102 for curb and runout details.
- ③ Wood or composite only. Steel blockouts will not be allowed.
- ④ Place bolt in top hole only.
- ⑤ 16d nail to prevent blockout rotation.



	REVISION	
	NEW	10-15-24
STANDARD ROAD PLAN		BA-209
REVISIONS: NEW		SHEET 3 of 3
APPROVED BY DESIGN METHODS ENGINEER		
STEEL BEAM GUARDRAIL BARRIER TRANSITION SECTION (MASH TL-3, 34" mounting height)		