

For joint details, refer to PV-101.

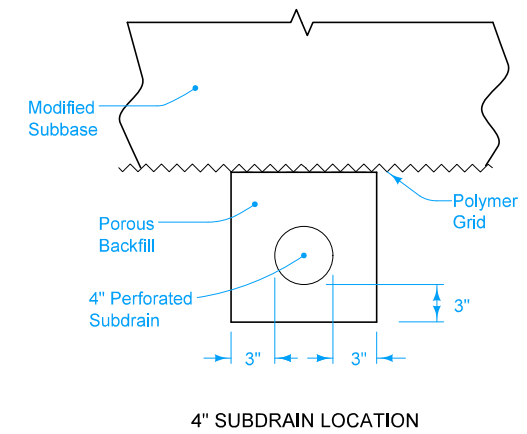
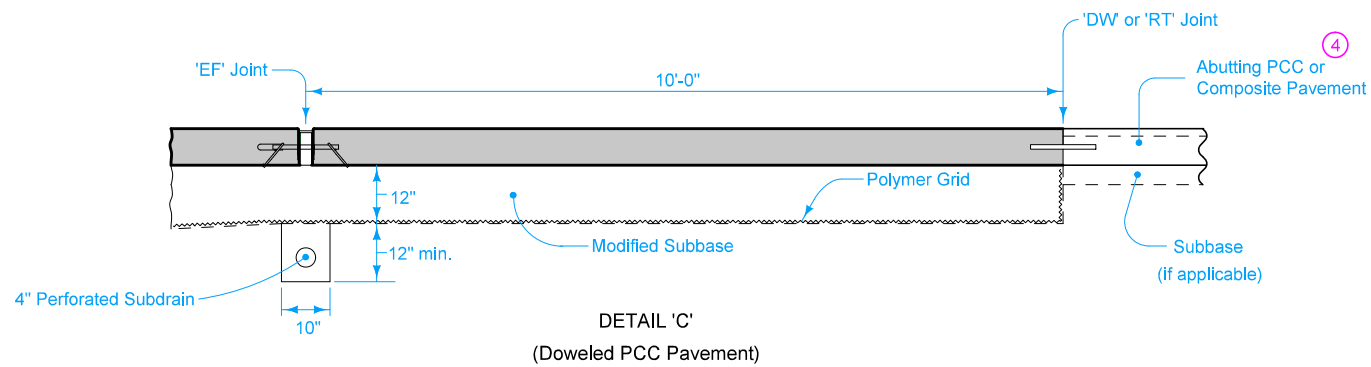
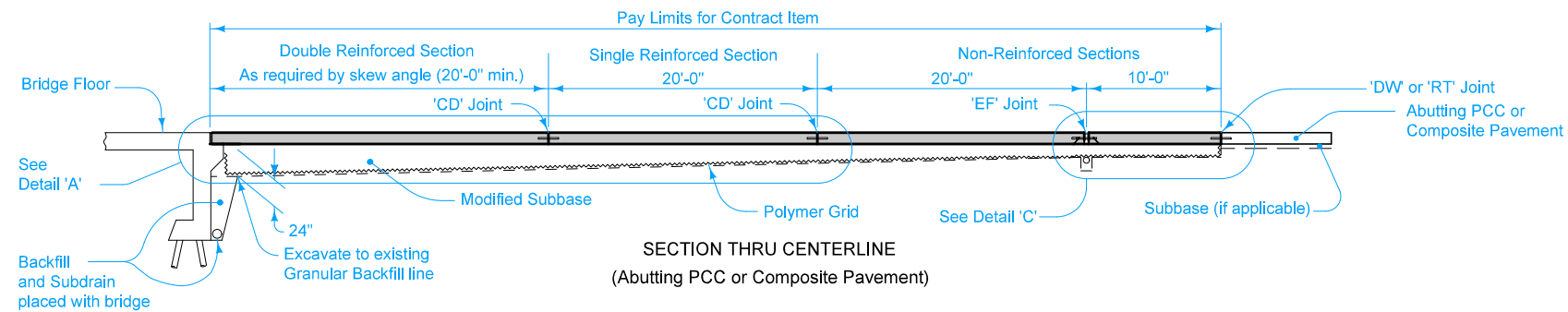
For curb details, see Detail 'G'.

All transverse bars are #5.

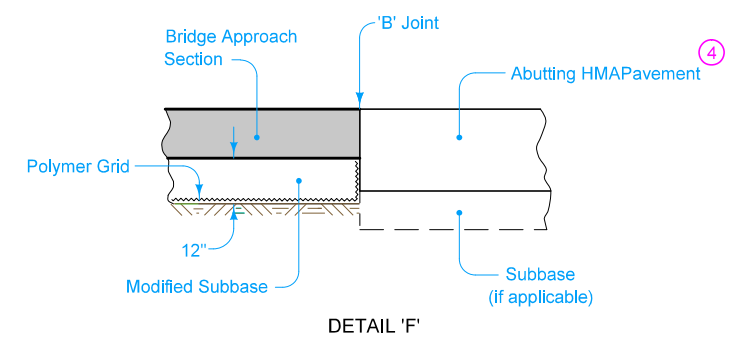
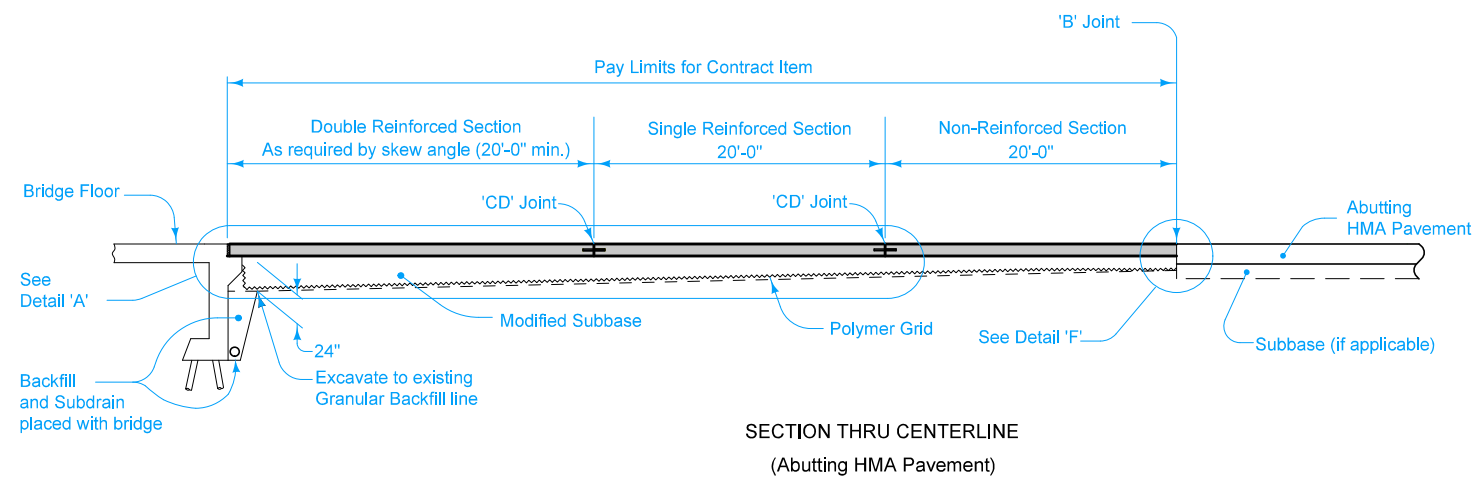
Possible Contract Item:  
Bridge Approach, BR-203

Possible Tabulation:  
112-6

	REVISION
	2   10-19-21
	<b>BR-203</b>
STANDARD ROAD PLAN	
SHEET 1 of 3	
REVISIONS: Added shoulders to single and non-reinforced sections.	
APPROVED BY DESIGN METHODS ENGINEER	
<b>DOUBLE REINFORCED 12" APPROACH</b>	



④ If abutting pavement (PCC or HMA) is not in place, refer to BR-213.

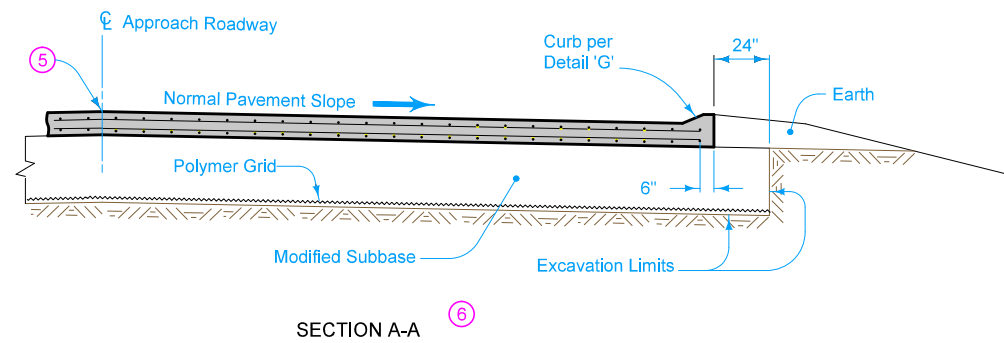


	REVISION	
	2	10-19-21
STANDARD ROAD PLAN	BR-203	
	SHEET 2 of 3	

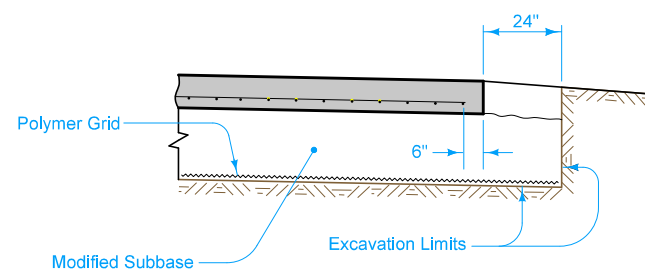
REVISIONS: Added shoulders to single and non-reinforced sections.

*Shawn Nielsen*  
APPROVED BY DESIGN METHODS ENGINEER

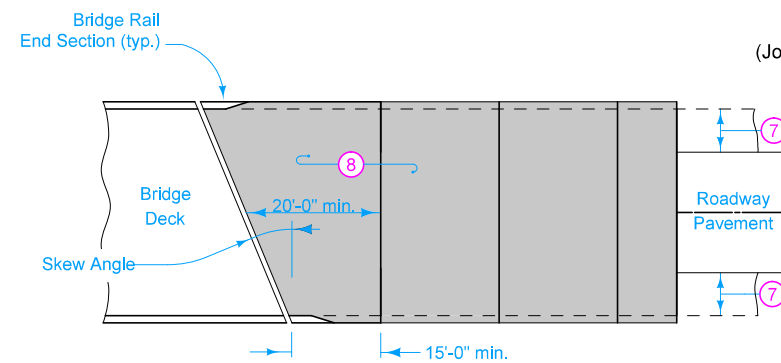
DOUBLE REINFORCED 12" APPROACH



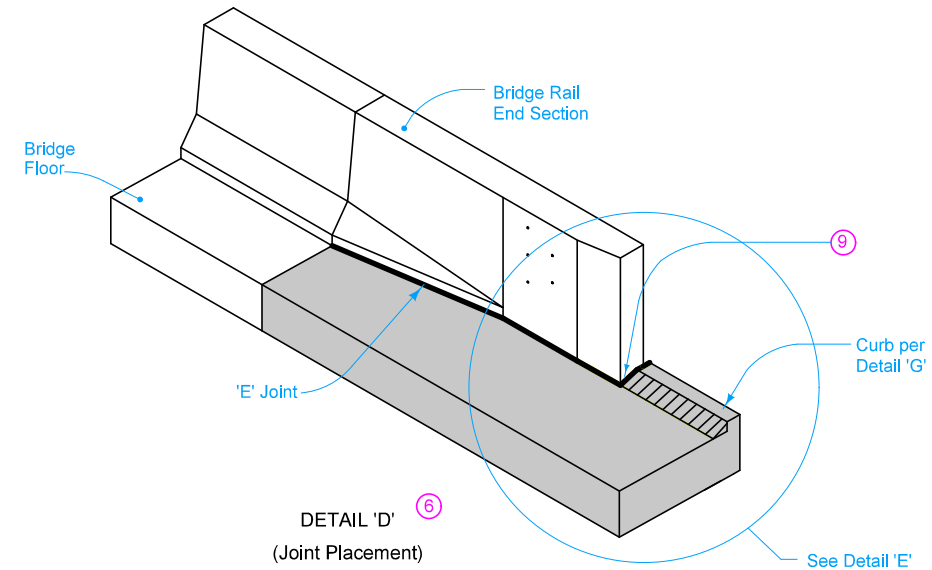
SECTION A-A



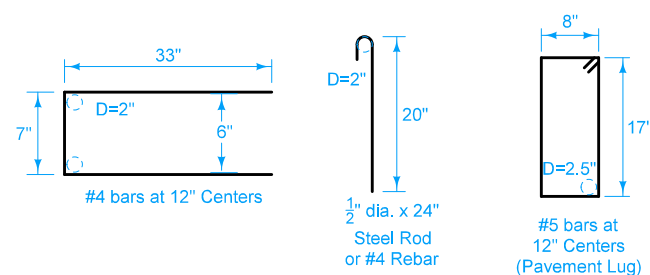
SECTION B-B



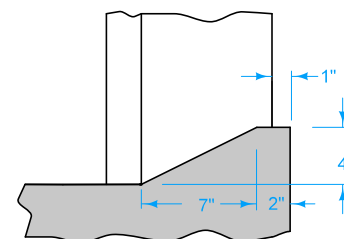
APPROACH PAVEMENT LAYOUT AT A SKEW



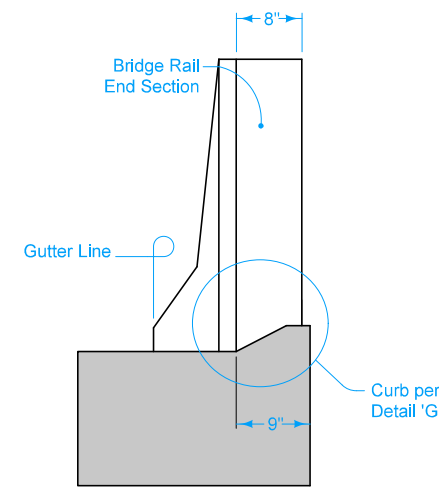
DETAIL 'D' (Joint Placement)



BENT BAR SHAPES



DETAIL 'G'



DETAIL 'E' (Back of Curb Placement)

- ⑤ Longitudinal Joint (PV-101):  
Single pour - Saw cut joint per Detail B.  
Two pours - Use 'KS-2' joint.
  - ⑥ Refer to BR-211, BR-212, or BR-231.
  - ⑦ Design shoulder width.
  - ⑧ Reinforced bridge approach section.
  - ⑨ Expansion joint at end of Bridge Rail End Section: Place joint filler the full depth of the bridge approach pavement. In areas with curb, place full depth of pavement plus curb and shape material to fit the shape of the curb per Section B-B of PV-101. Seal joint per Detail F of PV-101.
- Fixed Abutment Bridges: Type 'E' joint.
  - Moveable Abutment Bridges: Flexible Foam Expansion Joint Filler complying with Section 4136 of the Standard Specifications. Minimum filler width is the abutment 'CF' joint width. Joint length as required to completely fill from back side of curb to front face of bridge wing.

 <b>STANDARD ROAD PLAN</b>	REVISION 2   10-19-21
	<b>BR-203</b> SHEET 3 of 3
REVISIONS: Added shoulders to single and non-reinforced sections.	
 APPROVED BY DESIGN METHODS ENGINEER	
<b>DOUBLE REINFORCED 12" APPROACH</b>	