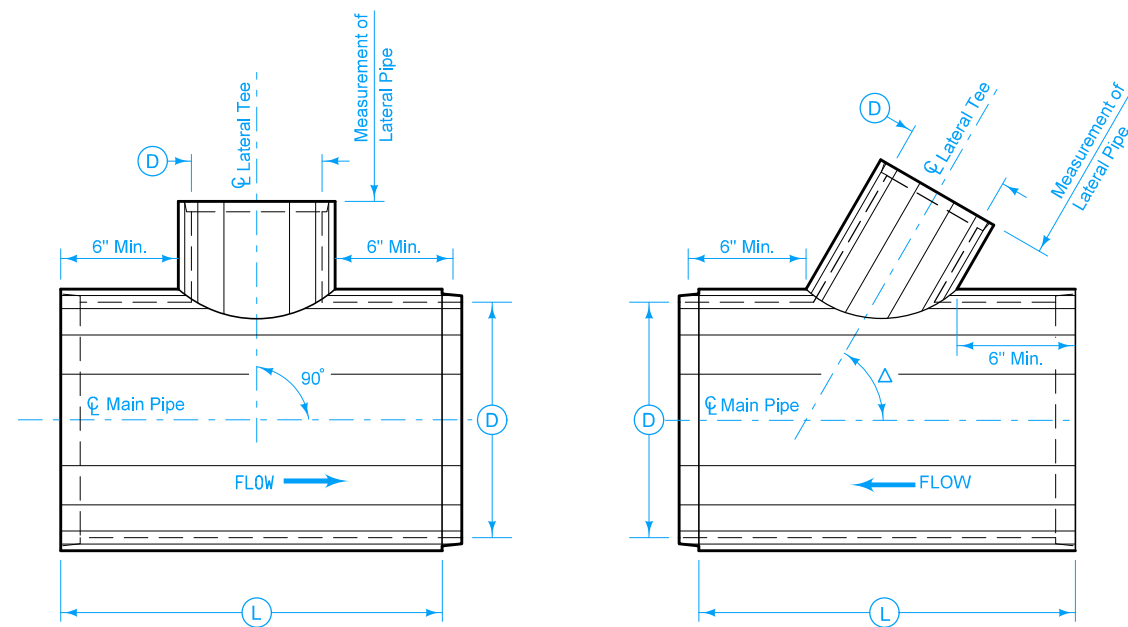


PLAN OF STRAIGHT TEE

PLAN OF ANGLE TEE

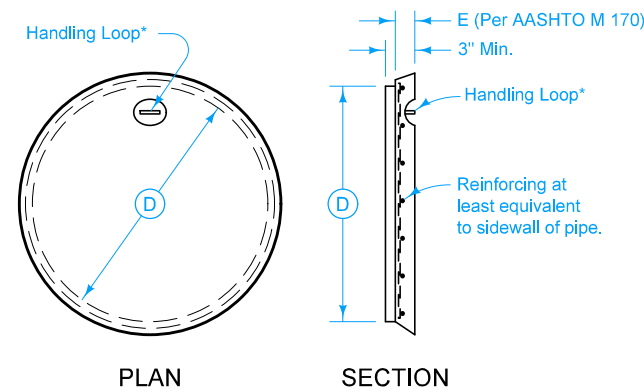
CORRUGATED METAL PIPE



PLAN OF STRAIGHT TEE

PLAN OF ANGLE TEE

CONCRETE PIPE



PLAN

SECTION

*The handling loop may be omitted when the cap is placed in a buried installation.

DETAILS OF CONCRETE PIPE CAP

Tees may be required in any size from 12 inch diameter to 48 inch diameter (in 6 inch increments) on main pipe culverts equal to or greater in diameter than that of the tee. Angle tees may be required in any delta angle (of 5 degree increment) between 45 and 90 degrees. Consider a tee section delta angle 90 degrees (straight tees) unless noted otherwise in the project plans.

Example: "18-36 inch Tee" means an 18 inch diameter 90 degree lateral tee attached to a 36 inch main pipe culvert.

Example: "24-48 inch 75 degree Tee" means a 24 inch diameter lateral tee attached to a 48 inch main pipe culvert at an angle of 75 degrees.

Fabricate the tee in such a manner as to be as free from obstruction on the inside of the pipe as is reasonable. Use a method approved by the Engineer.

CORRUGATED METAL PIPE TEE:

Repair damage to protective coating resulting from installation of culvert as directed by the Engineer.

CONCRETE PIPE TEE:

Length of main pipe section (L) is a minimum of 4 feet and a maximum of 8 feet. The length of main pipe section will be included in the measured length of structure.

CONCRETE PIPE CAP:

The use of an approved pipe cap is required when so indicated on the detail project plans. Ensure the dimensions of the pipe cap are such that the pipe cap neatly fits the groove end of the appropriate size of culvert pipe.

The cap may be precast or it may be cast directly into the pipe end with a tight mortar joint between the cap and the pipe. Place an approved bituminous joint material between the cap and the pipe if the cap is positioned at the construction site.

Installation of pipe cap is incidental to other pipe culvert work on the project.

| | | |
|--|----------|--------------|
| STANDARD ROAD PLAN | REVISION | |
| | 1 | 10-19-21 |
| DR-142 | | SHEET 1 of 1 |
| <small>REVISIONS: Modified Concrete Pipe Tee note to maximum 8 feet.</small> | | |
| <small>APPROVED BY DESIGN METHODS ENGINEER</small> | | |

CULVERT PIPE TEE SECTIONS