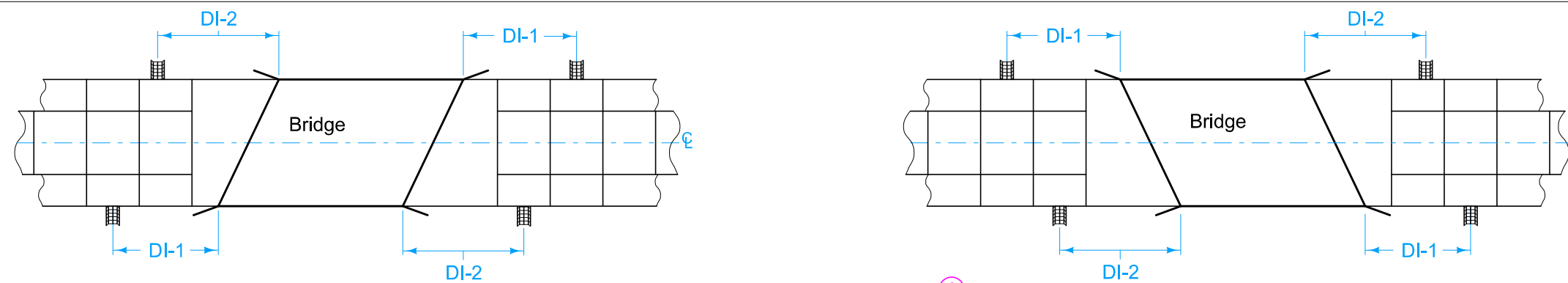
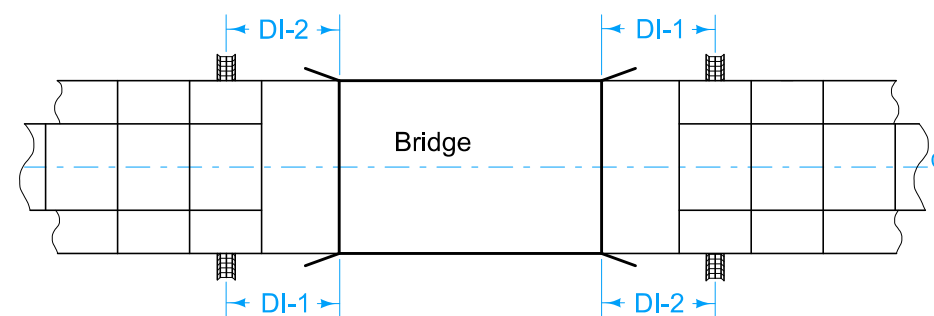


PLAN



FLUME LOCATIONS
(Skewed Bridge)



FLUME LOCATIONS
(Non-Skewed Bridge)

Price bid for "Bridge End Drain, DR-401" is full compensation for furnishing, installing, and constructing the Bridge End Drain as shown.

- ① Continue 4 inch sloped curb to edge of flume per section B-B. Refer to BR-201, BR-202, BR-203, BR-204, or BR-205 for details of 4 inch curb.
- ② DI-1 and DI-2 distances measured from center of Bolt Pattern. Refer to BA-202.
- ③ Abut Transition Mat (see EC-105) panels to the edge of the pavement to prevent from being undercut by water. Cut panels to fit around guardrail posts to ensure pavement edge contract. No deduction will be made for area of Transition Mat removed for guardrail posts.

Possible Contract Items:
Bridge End Drain, DR-401

Incidental to Bridge End Drain:
Transition Mat
Seeding and Fertilizing
Soil Fill
Special Ditch Control (Wood Excelsior Mat)
Turf Reinforced Mat, Type 2
Watering for Sod, Special Ditch Control, or Slope Protection
Mobilization for Watering

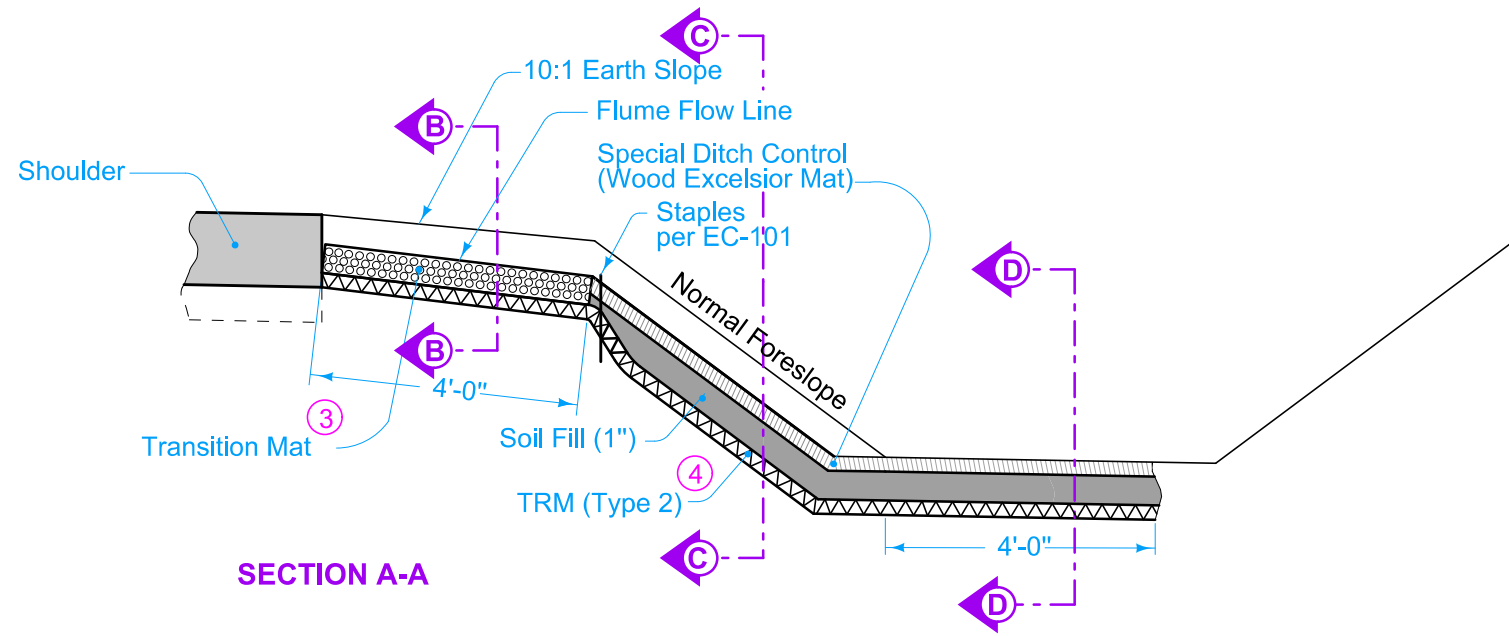
Possible Tabulation:
104-8A

	REVISION	
	7	04-16-24
STANDARD ROAD PLAN		DR-401
		SHEET 1 of 2

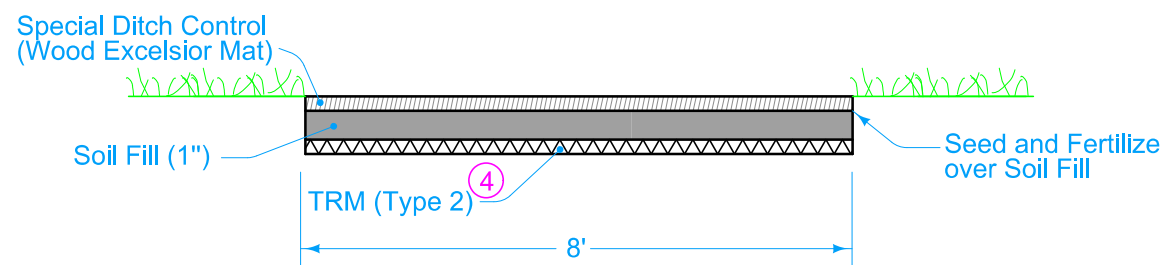
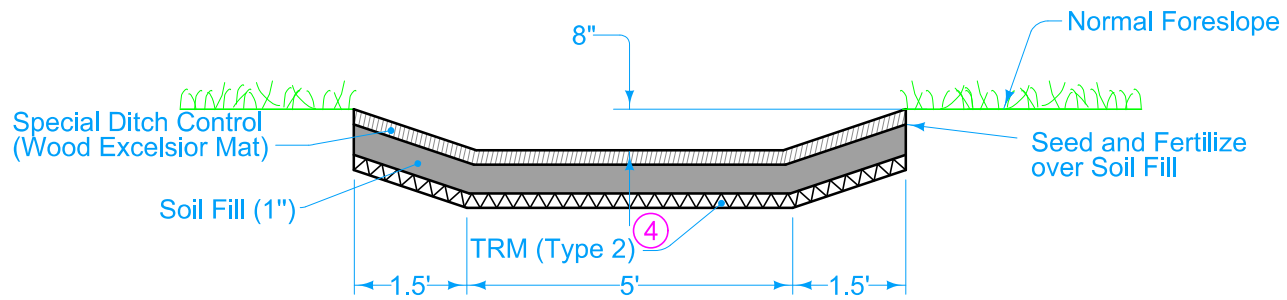
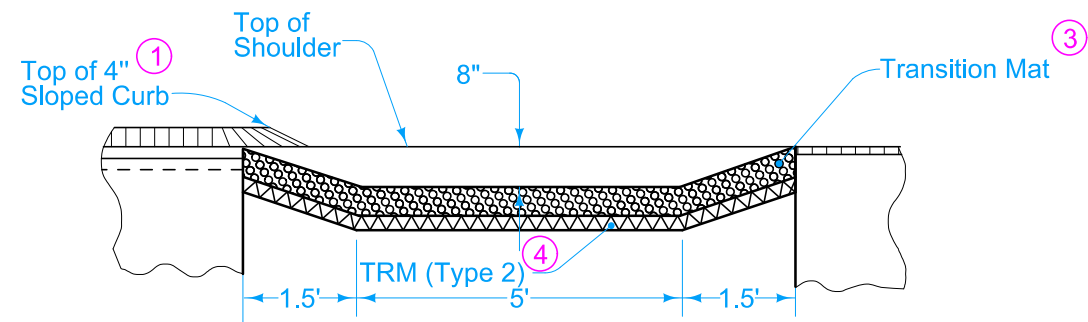
REVISIONS: Added reference to BR-202 in note 2.

Shawn Miller
APPROVED BY DESIGN METHODS ENGINEER

**SCOUR PROTECTION
FOR BRIDGE END DRAIN**



- ① Continue 4 inch sloped curb to edge of flume per section B-B. Refer to BR-201, BR-202, BR-203, BR-204, or BR-205 for details of 4 inch curb.
- ③ Abut Transition Mat (see EC-105) panels to the edge of the pavement to prevent from being undercut by water. Cut panels to fit around guardrail posts to ensure pavement edge contact. No deduction will be made for area of Transition Mat panel removed for guardrail posts.
- ④ Extend TRM (see EC-104) flume 4 feet beyond toe of slope.
- ⑤ Transition the flume flow line depth from 3 inches at the downstream edge of Transition Mat to 8 inches with an approximate transition rate of 1 inch vertical per 1 foot horizontal.
- ⑥ Transition the flume flow line depth from 8 inches at the toe of slope to 0 inches with an approximate transition rate of 2 inches vertical per 1 foot horizontal.



 IOWA DOT STANDARD ROAD PLAN	REVISION	
	7	04-16-24
DR-401		SHEET 2 of 2

REVISIONS: Added reference to BR-202 in note 2.

Shawn Miller
APPROVED BY DESIGN METHODS ENGINEER

**SCOUR PROTECTION
FOR BRIDGE END DRAIN**