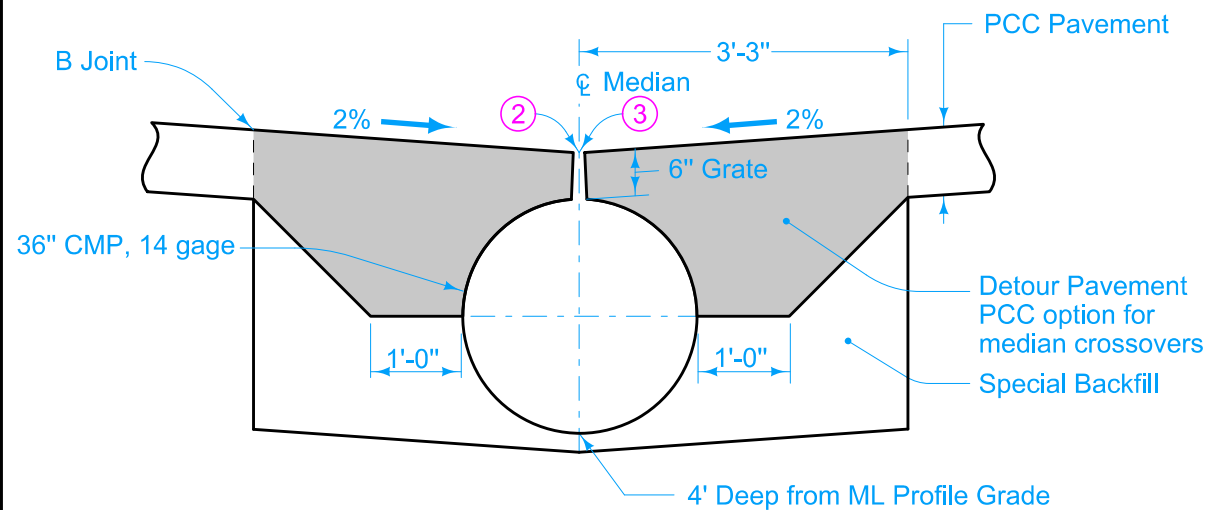
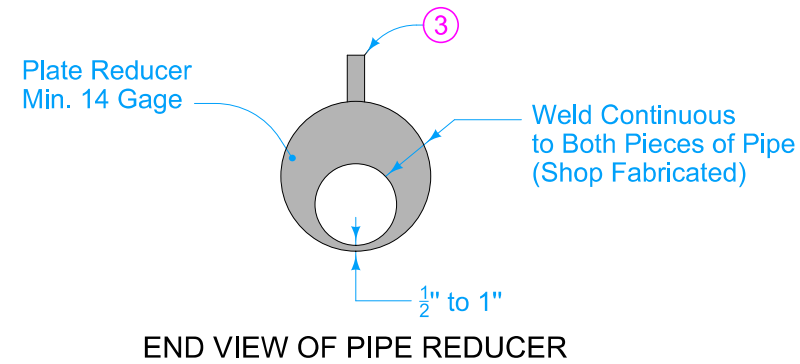


LONGITUDINAL SECTION THROUGH CMP SLOTTED DRAIN ASSEMBLY

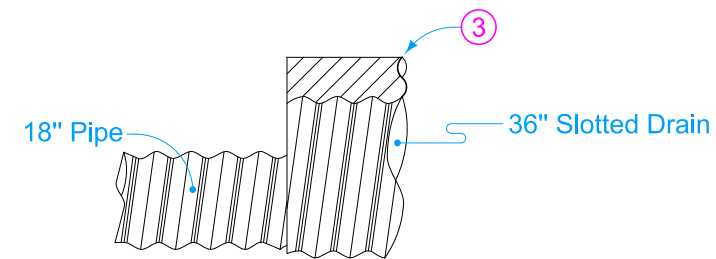
- ① Beveled pipe and guard. See DR-212.
- ② During construction of crossover pavement, cover slotted drain with duct tape or wood block.
- ③ Slotted grate 6 inches high x 1 3/4 inches opening width. Use 3/16 inch material for spacers and bearing bars (sides).



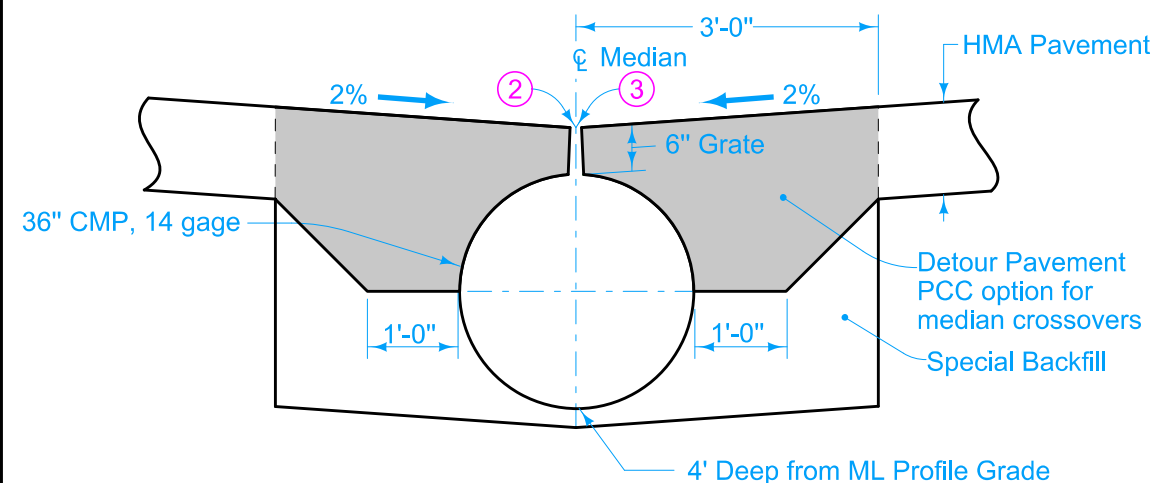
PCC PAVEMENT SITUATION



END VIEW OF PIPE REDUCER



SIDE VIEW OF PIPE REDUCER



HMA PAVEMENT SITUATION

- Possible Contract Items:
- Beveled Pipe and Guard
 - Culvert, Unclassified Roadway Pipe, 18" Dia.
 - Detour Pavement
 - Drain, Corrugated Metal Pipe Slotted, 36", w/6" Grate
 - Special Backfill

Possible Tabulation:
112-8

| TABLE OF QUANTITIES | | | | | |
|--|--------|--------|--------|--------|--------|
| Standard Road Plan | PV-500 | PV-503 | PV-506 | PV-509 | PV-512 |
| Median Width | 50' | 64' | 68.24' | 82' | 100' |
| SDL Slotted Drain Length | 116' | 110' | 110' | 102' | 94' |
| PL Pipe Length | 132' | 110' | 104' | 90' | 76' |
| Bid Items | | | | | |
| 36" Corrugated Metal Slotted Pipe Drain w/6" Grate | 116' | 110' | 110' | 102' | 94' |
| 18" dia. Corrugated Metal Roadway Pipe Culvert | 264' | 220' | 208' | 180' | 152' |

| | | |
|-------------------------------|----------|----------|
| STANDARD ROAD PLAN | REVISION | |
| | 1 | 10-18-16 |
| DR-502 | | |
| SHEET 1 of 1 | | |

REVISIONS: Changed 'Unclassified Entrance Pipe' to 'Unclassified Roadway Pipe' to coincide with Tab 112-8, Median Crossovers.

Shawn Miller
APPROVED BY DESIGN METHODS ENGINEER

**SLOTTED DRAIN FOR
MEDIAN CROSSOVERS**