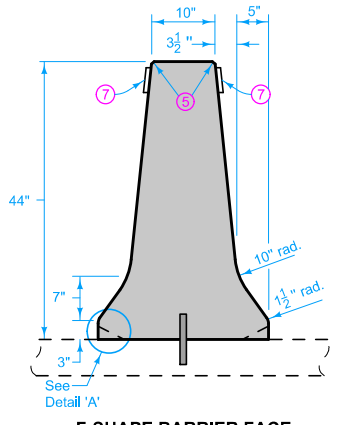
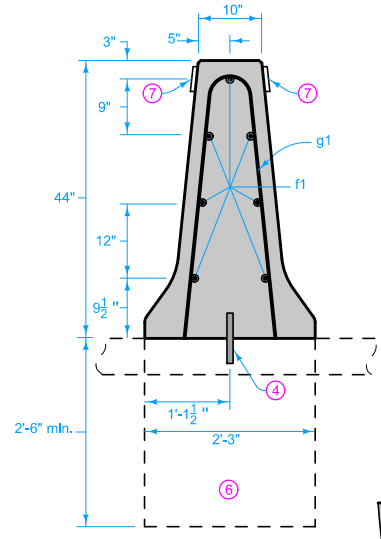


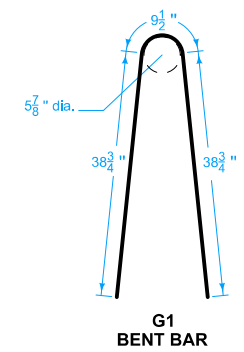
ELEVATION



F-SHAPE BARRIER FACE

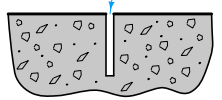


SECTION A-A



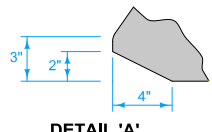
G1 BENT BAR

1/8" min. wide x 1" deep saw cut. No sealing required.



SAWED CONTRACTION JOINT

Saw cut top and front face



DETAIL 'A'

Special Shaping for Barrier over Intake

Use epoxy-coated Grade 60 reinforcing bars. Provide 2 inches minimum cover. Anchor barrier reinforcement to prevent movement. Secure each section at the front, back, and at 3'-6" minimum intervals using a method approved by the Engineer.

- ① Expansion joints are necessary only where specifically required by project plans. Conform expansion material to the shape of the barrier. No sealer is required.
- ② Saw contraction joints as indicated. Where abutting sections are placed as separate pours, a butt joint may be used. Extend longitudinal reinforcement into the abutting section a minimum of 1'-6".
- ③ For barrier dowelled to pavement, match pavement joints. For free-standing barrier with integral footings, use 17 foot maximum, 15 foot minimum joint spacing.
- ④ Use 1 inch diameter deformed dowel bars of sufficient length to ensure 6 inch minimum embedment in barrier and supporting surface when placed, or in drilled holes using polymer grout complying with Materials I.M. 491.11 or hydraulic cement grout complying with Materials I.M. 491.13.

- ⑤ Fillet all exposed corners with a 3/4 inch dressed and beveled strip.
- ⑥ Construct concrete footing when barrier is not placed on concrete slab. Apply Article 2403.03 of the Standard Specifications, but the use of forms is optional. If forms are used, place backfill around the completed footing.
- ⑦ Place barrier markers at 100 foot increments in areas with non-continuous lighting, or 250 foot increments in areas with continuous lighting. Marker color to be the same as adjacent edge line.

Possible Contract Item:
Concrete Barrier, BA-100 or
Concrete Barrier, BA-100 and Footing

Possible Tabulation:
108-18

REINFORCING BAR LIST Per Section (Approx. 20 feet)					
Mark	Size	Number of Bars	Length	WT. (lbs.)	Max. Spacing
g1	5	14	7'-4"	107	1'-6"
f1	5	7	19'-6"	141	

CONCRETE QUANTITIES Per Foot 0.15 cy
--

	REVISION
	3 04-21-20
STANDARD ROAD PLAN	BA-100
SHEET 1 of 1	
REVISIONS: Removed INTERIM from the standard.	
APPROVED BY DESIGN METHODS ENGINEER	
44" CONCRETE MEDIAN BARRIER (FULL SECTION)	