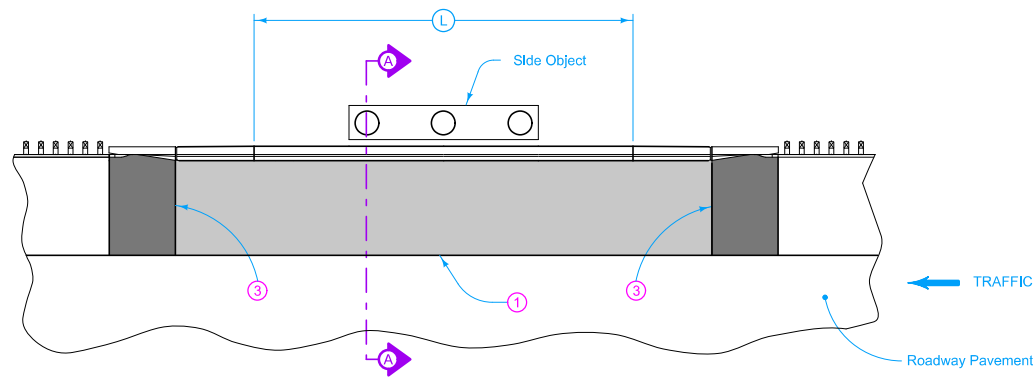
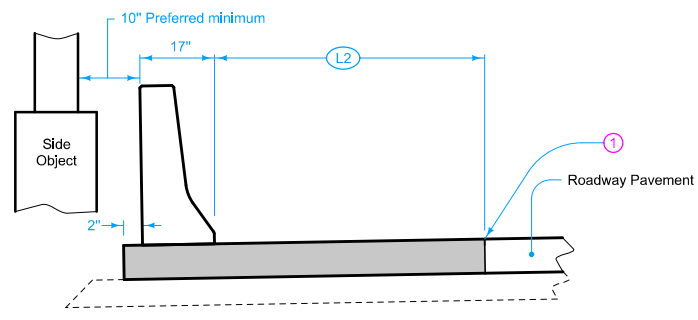


ELEVATION



PLAN



SECTION A-A

- ① "L-2" or "KT-2" joint. When roadway pavement is existing, use "BT-3" joint. See PV-101.
- ② Refer to BA-250.
- ③ "C" Joint; match existing roadway joints when possible. See PV-101.
- ④ Refer to project typicals.
- ⑤ Refer to BA-106.

Possible Contract Items:  
 Concrete Barrier Items  
 Steel Beam Guardrail items  
 PCC Paved Shoulder  
 Reinforced Paved Shoulder

Possible Tabulations:  
 108-18B  
 112-9

LEGEND	
	PCC Paved Shoulder ④
	Reinforced PCC Paved Shoulder ⑤

	REVISION
	3   04-20-21
	<b>STANDARD ROAD PLAN</b>
<b>BA-150</b> SHEET 1 of 1	
REVISIONS: Changed Obstacle to Object.	
APPROVED BY DESIGN METHODS ENGINEER 	
<b>SIDE OBJECT PROTECTION WITH CONCRETE BARRIER AND GUARDRAIL</b>	