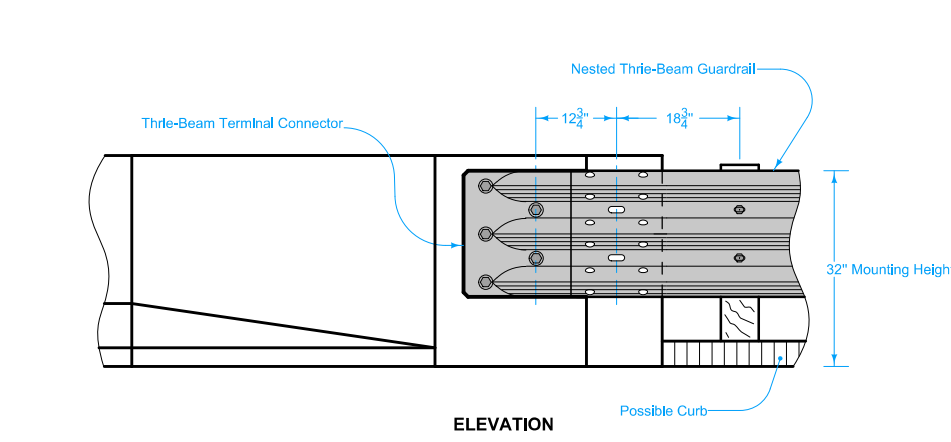
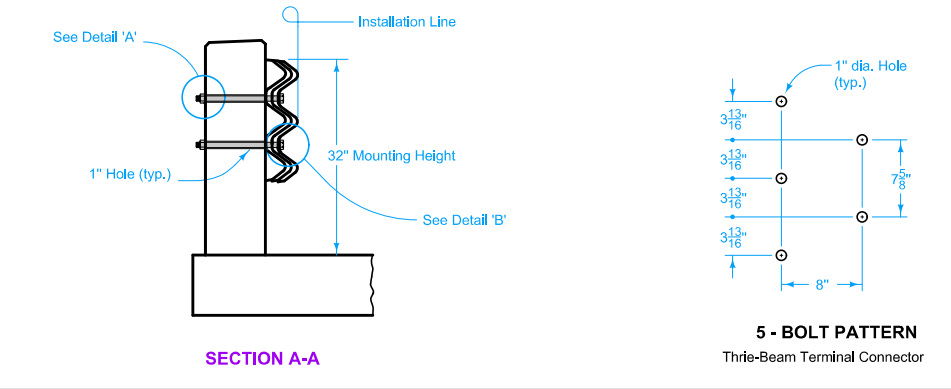


- ① See BA-201.
- ③ Lap the Terminal Connector on the outside of the nested thrie beam rails for attachments on the trailing end of a bridge.



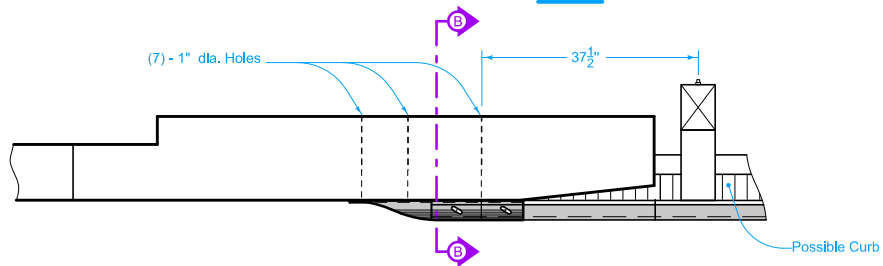
Possible Contract Item:
Steel Beam Guardrail End Anchor, Bolted

Materials included in the Contract Item:
Thrie-Beam Terminal Connector
Approved 7/8" x sufficient length Hex Bolts
Approved 7/8" Hex Nuts
Approved 15/16" Washers



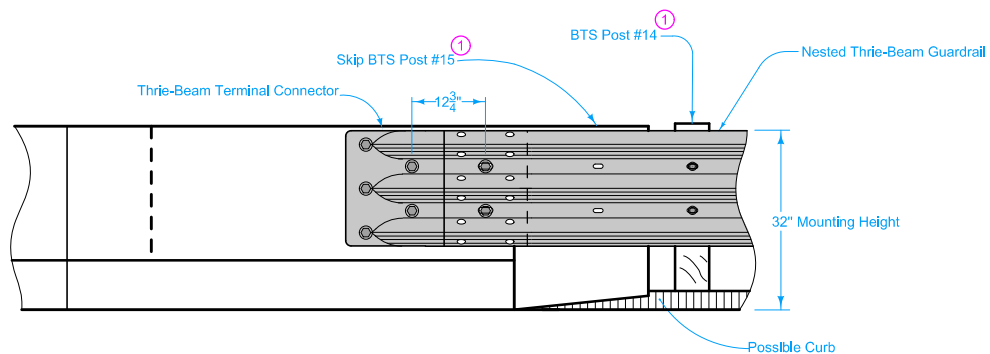
IOWA DOT	REVISION	
	3	10-20-15
	STANDARD ROAD PLAN	
BA-202		SHEET 1 of 3
REVISIONS: Changed BTS post numbers to match changes to BA-201.		
<i>Brian Smith</i> APPROVED BY DESIGN METHODS ENGINEER		
STEEL BEAM GUARDRAIL BOLTED END ANCHOR		

TYPE B

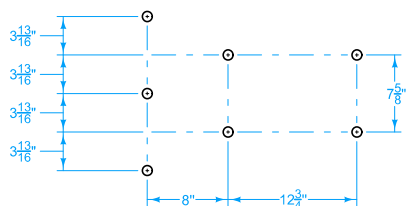


① See BA-201.

PLAN

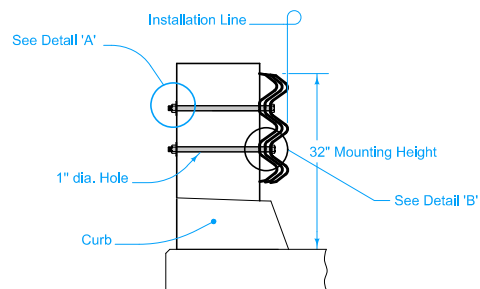


ELEVATION



7 - BOLT PATTERN

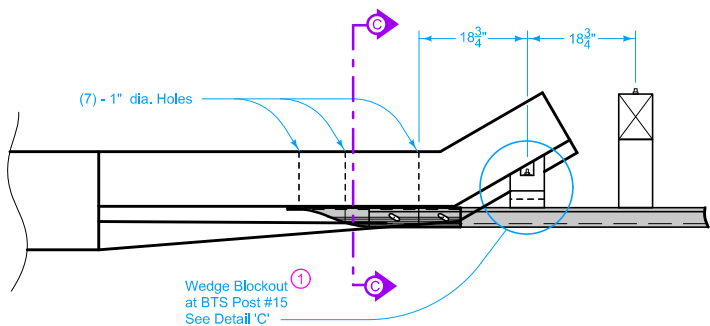
Thrie - Beam Terminal Connector



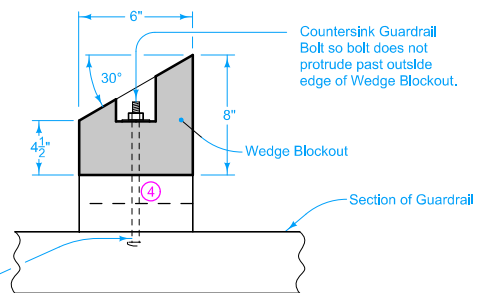
SECTION B-B

	REVISION
	3 10-20-15
STANDARD ROAD PLAN	BA-202
REVISIONS: Changed BTS post numbers to match changes to BA-201.	SHEET 2 of 3
APPROVED BY DESIGN METHODS ENGINEER	
STEEL BEAM GUARDRAIL BOLTED END ANCHOR	

TYPE C

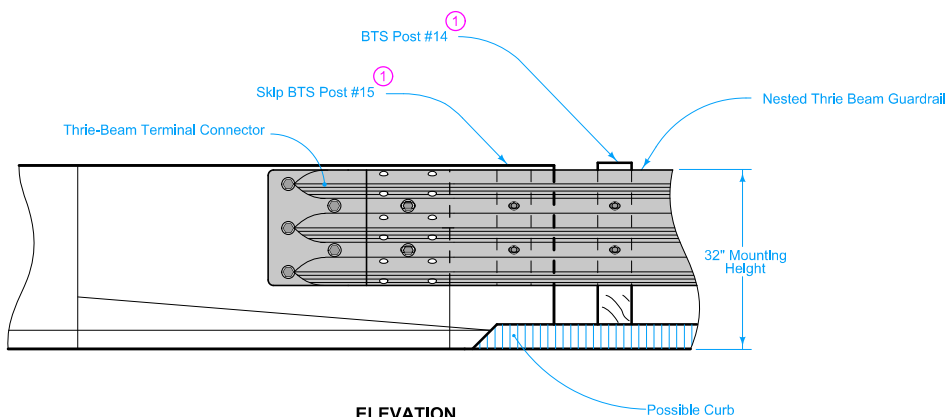


PLAN

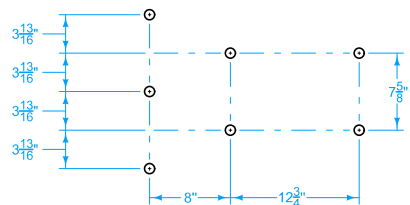


DETAIL 'C'

- ① See BA-201.
- ④ Use treated spacer boards (1 in. x 6 in. or 2 in. x 6 in.) to produce a tight fit between the wedge blockout and endpost. A nominal 1 inch gap is acceptable. Spacer boards are incidental to bolted end anchor.

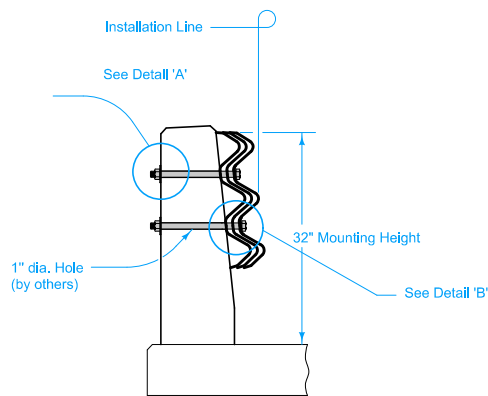


ELEVATION



7 - BOLT PATTERN

Thrie - Beam Terminal Connector



SECTION C-C

 STANDARD ROAD PLAN	REVISION
	3 10-20-15
	BA-202
SHEET 3 of 3	

REVISIONS: Changed BTS post numbers to match changes to BA-201.

Brian Smith
APPROVED BY DESIGN METHODS ENGINEER

**STEEL BEAM GUARDRAIL
BOLTED END ANCHOR**