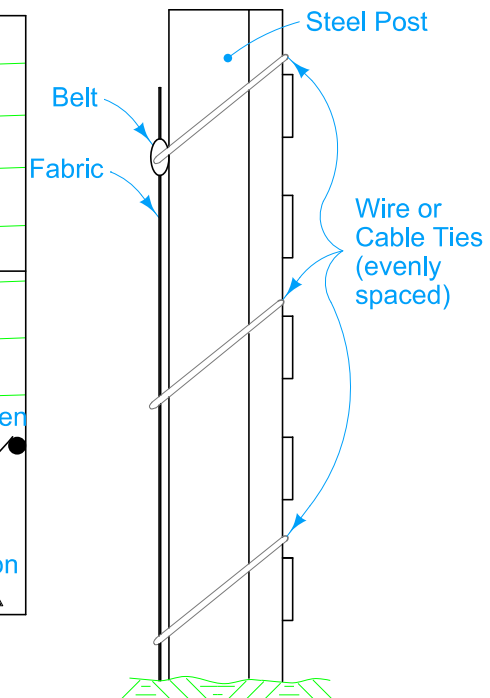
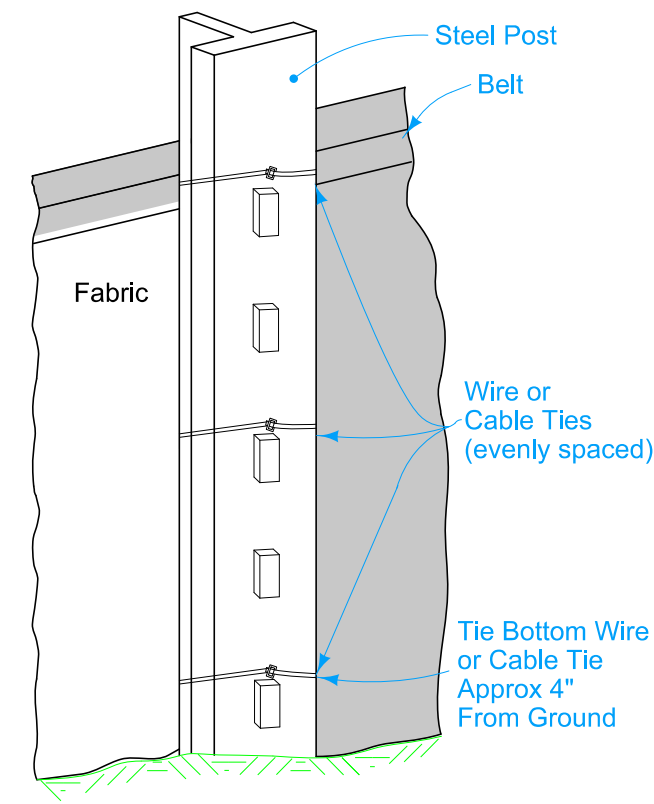
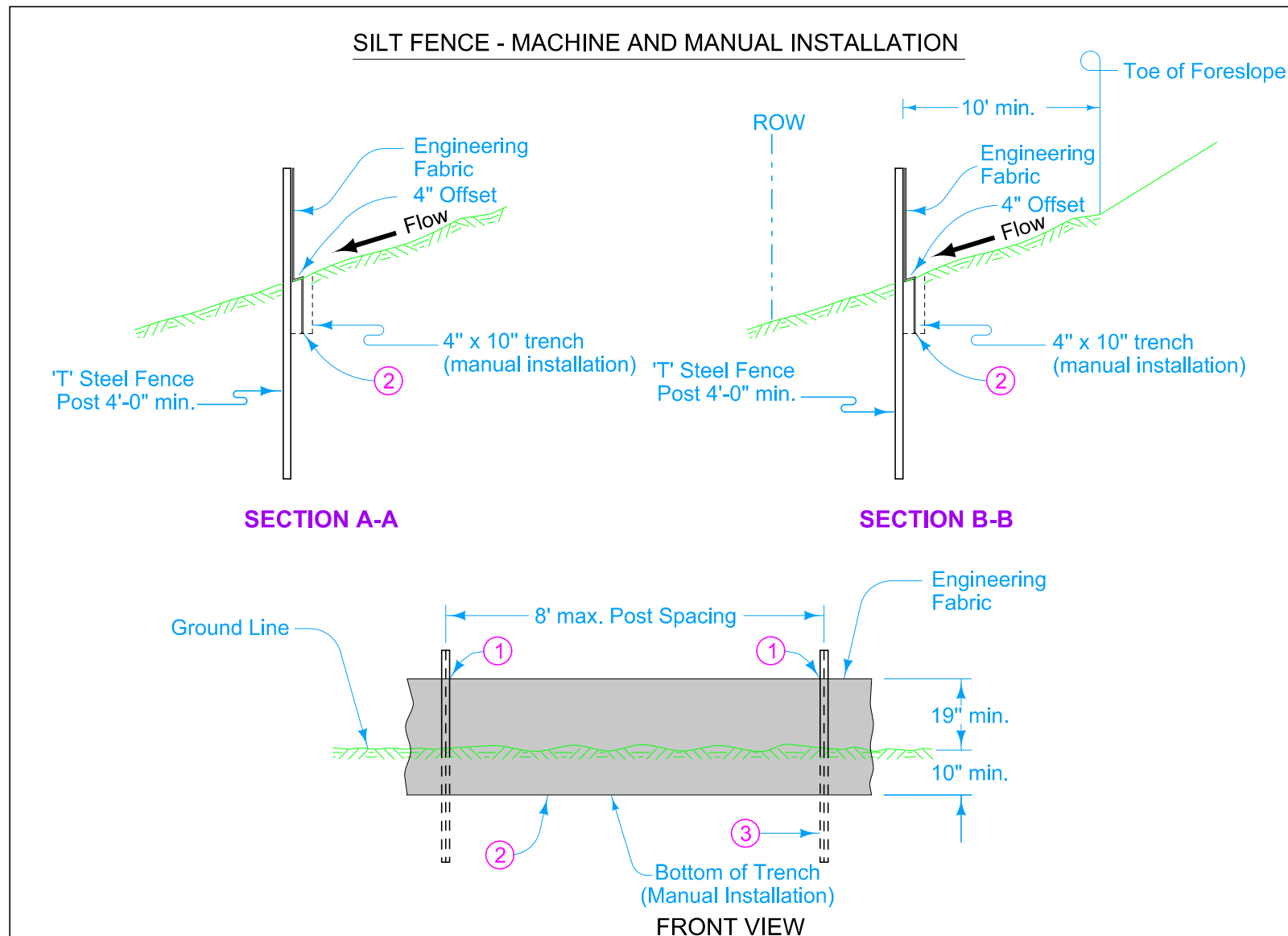


PLAN FOR SILT FENCE (11)



PROFILE VIEW ATTACHMENT TO POST



BACK VIEW ATTACHMENT TO POST

- Install all silt fence using a silt fence machine. Use manual (trench) installation if physical conditions prohibit machine installation.
- For machine installation, compact by driving over each side of silt fence at least two times with a rubber-tired vehicle.
- For manual installation, compact with a mechanical or pneumatic tamper.
- (1) Secure top of engineering fabric to steel posts using cable ties (50 lb.) or wire passing through or encompassing the belt. See attachment to post.
  - (2) For manual installation only, fold engineering fabric along bottom of trench.
  - (3) Embed all posts 28 inches below the ground line.
  - (11) Refer to Tab. 100-17
  - (13) The contractor has two installation options:
    - Place silt fence continuously up to a maximum of 200 feet. For every 200 foot segment of fence placed, flare up the slope on both ends 20 feet of the segment to contain runoff as shown, or
    - Place silt fence continuously. Every 200 feet, place a hump that extends 20 feet up the slope to contain runoff as shown.
  - (14) Place silt fence continuously up to a maximum length of 200 feet. For every segment of silt fence that is placed, flare up the slope on both ends 20 feet of the segment to contain runoff as shown.



Possible Contract Items:  
Silt Fence  
Silt Fence for Ditch Checks

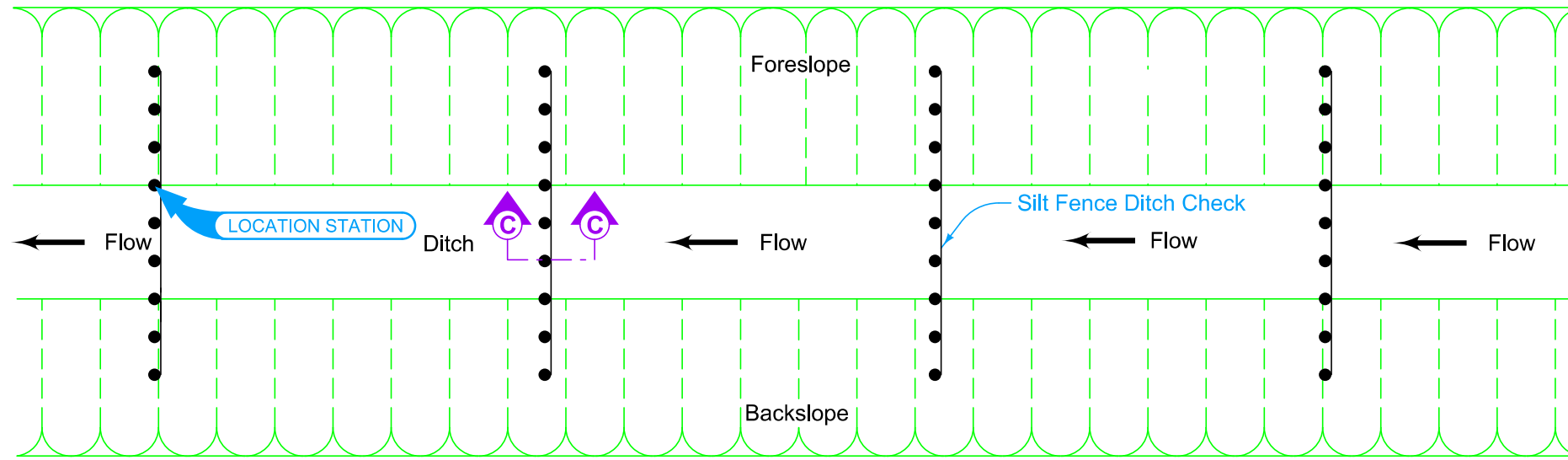
Possible Tabulations:  
100-17  
100-18

|                    |          |              |
|--------------------|----------|--------------|
|                    | REVISION |              |
|                    | 6        | 04-20-21     |
| STANDARD ROAD PLAN |          | EC-201       |
|                    |          | SHEET 1 of 6 |

REVISIONS: Modified trench to 10". Added circle notes 13 & 14.

*Shawn Miller*  
APPROVED BY DESIGN METHODS ENGINEER

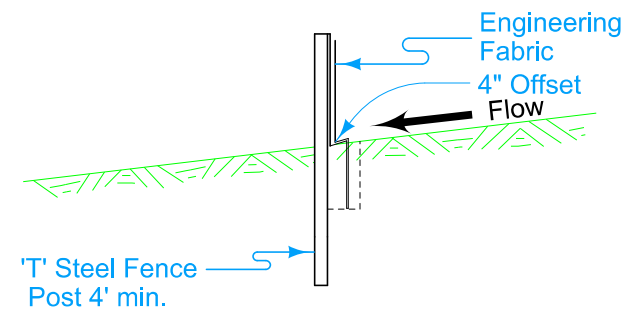
## SILT FENCE



PLAN FOR DITCH CHECK (TYPE 1) 12

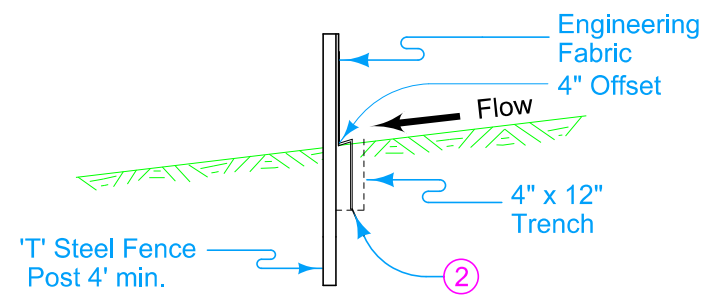
- 1 Secure top of engineering fabric to steel posts using cable ties (50 lb.) or wire passing through or encompassing the belt. See attachment to post.
- 2 For manual installation only, fold engineering fabric along bottom of trench.
- 3 Embed all posts 28 inches below the ground line.
- 4 Locate posts at toe of foreslope and toe of backslope and space remaining posts equally.
- 5 Minimum end span (in feet) = 2 X Foreslope (H:V).
- 6 Minimum end span (in feet) = 2 X Backslope (H:V).
- 12 Refer to Tab. 100-18

DITCH CHECK - MACHINE INSTALLATION

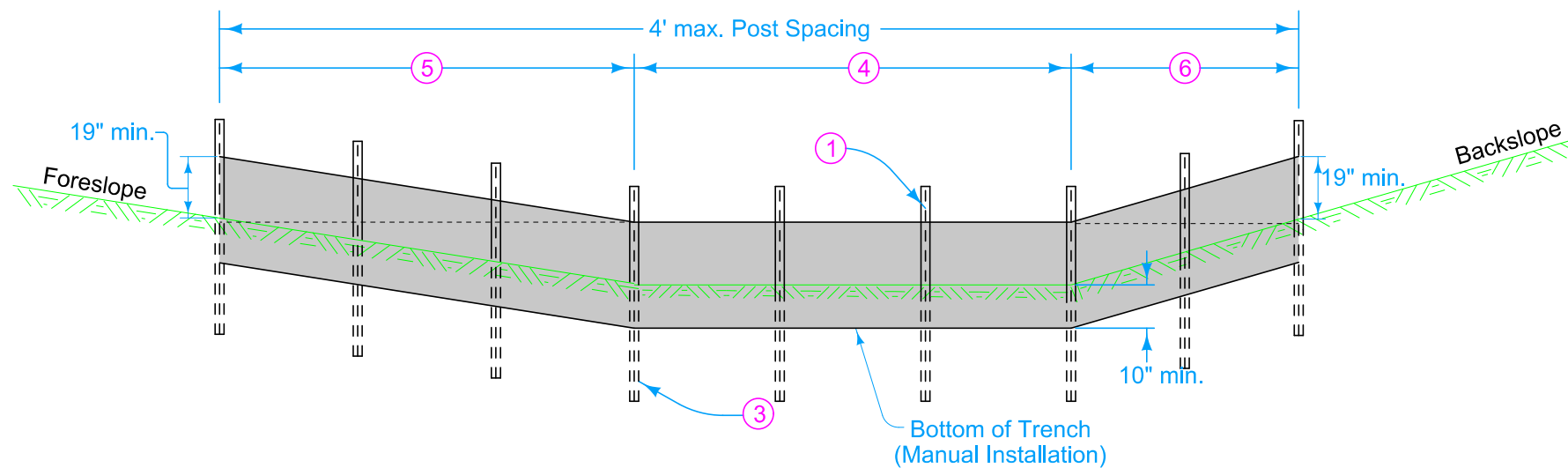


SECTION C-C

DITCH CHECK - MANUAL INSTALLATION



SECTION C-C



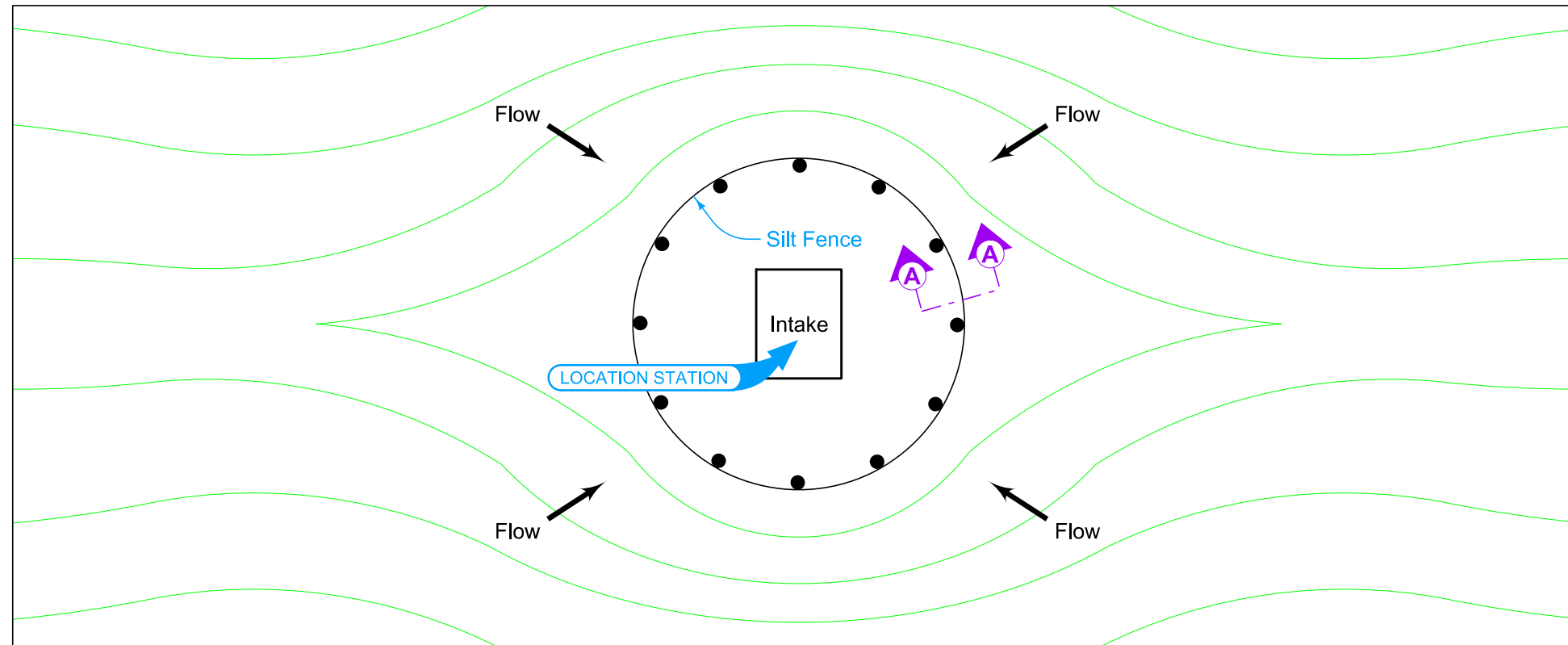
FRONT VIEW

|                           |          |               |
|---------------------------|----------|---------------|
|                           | REVISION |               |
|                           | 6        | 04-20-21      |
| <b>STANDARD ROAD PLAN</b> |          | <b>EC-201</b> |
|                           |          | SHEET 2 of 6  |

REVISIONS: Modified trench to 10". Added circle notes 13 & 14.

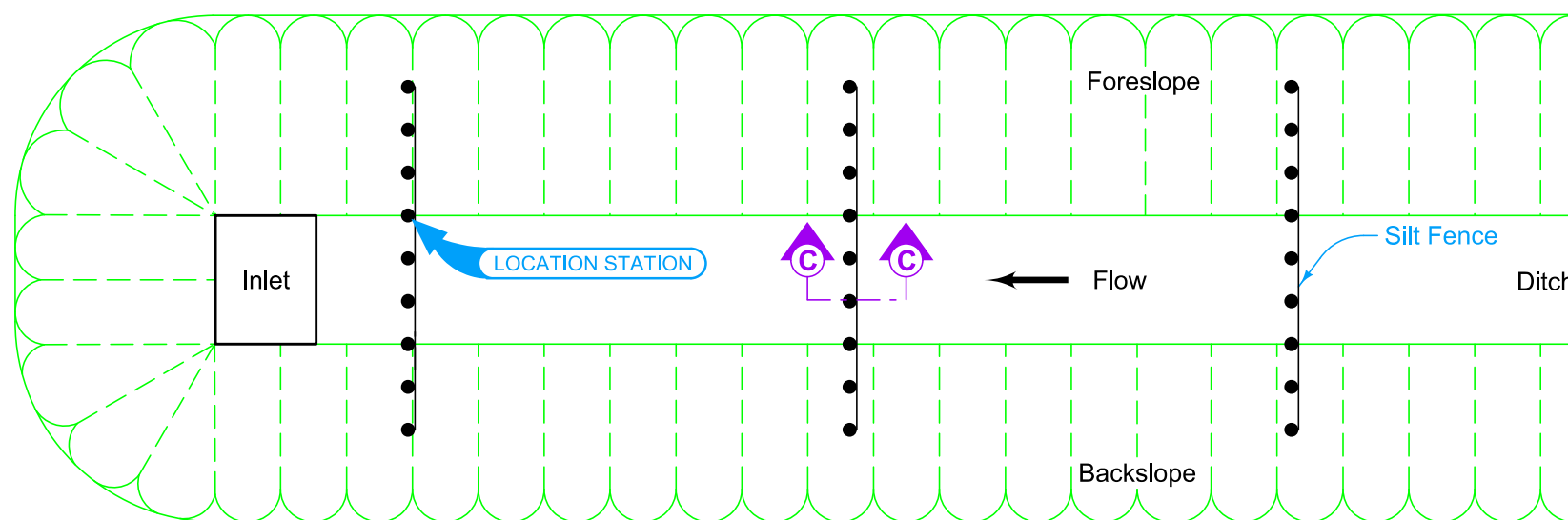
*Steve Miller*  
APPROVED BY DESIGN METHODS ENGINEER

**SILT FENCE**




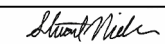
12 Refer to Tab. 100-18

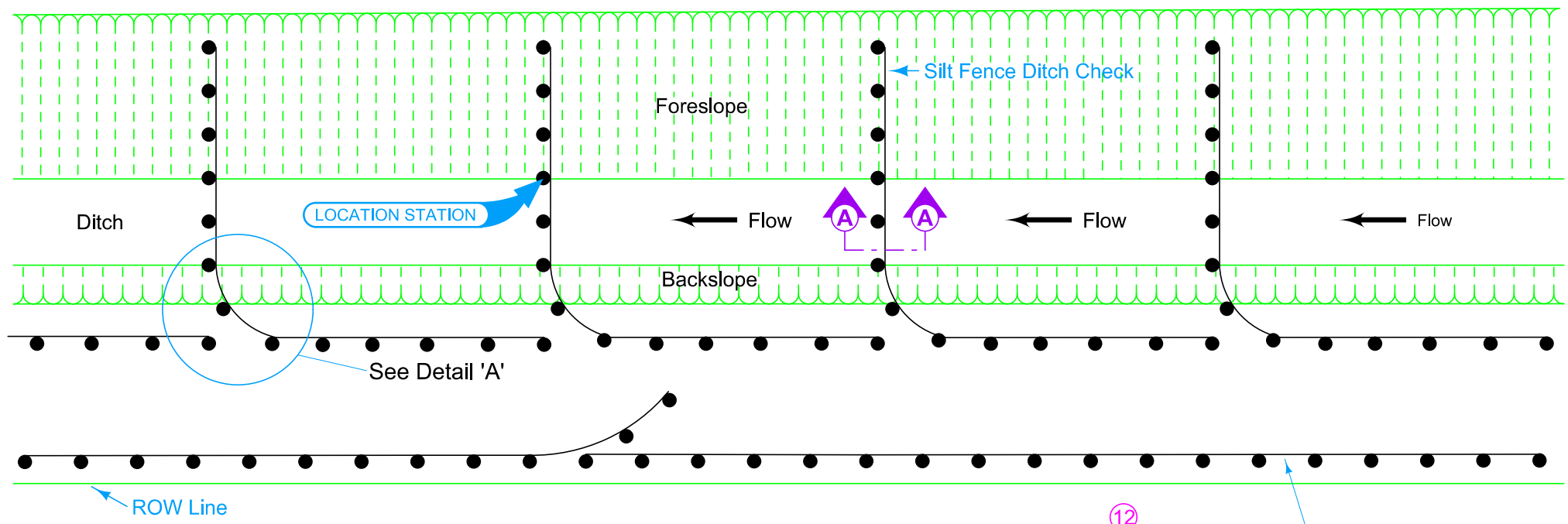
PLAN FOR SILT FENCE AT INTAKE (TYPE 2) 12



 Contour Lines

PLAN FOR SILT FENCE DITCH CHECK AT INLET (TYPE 3) 12

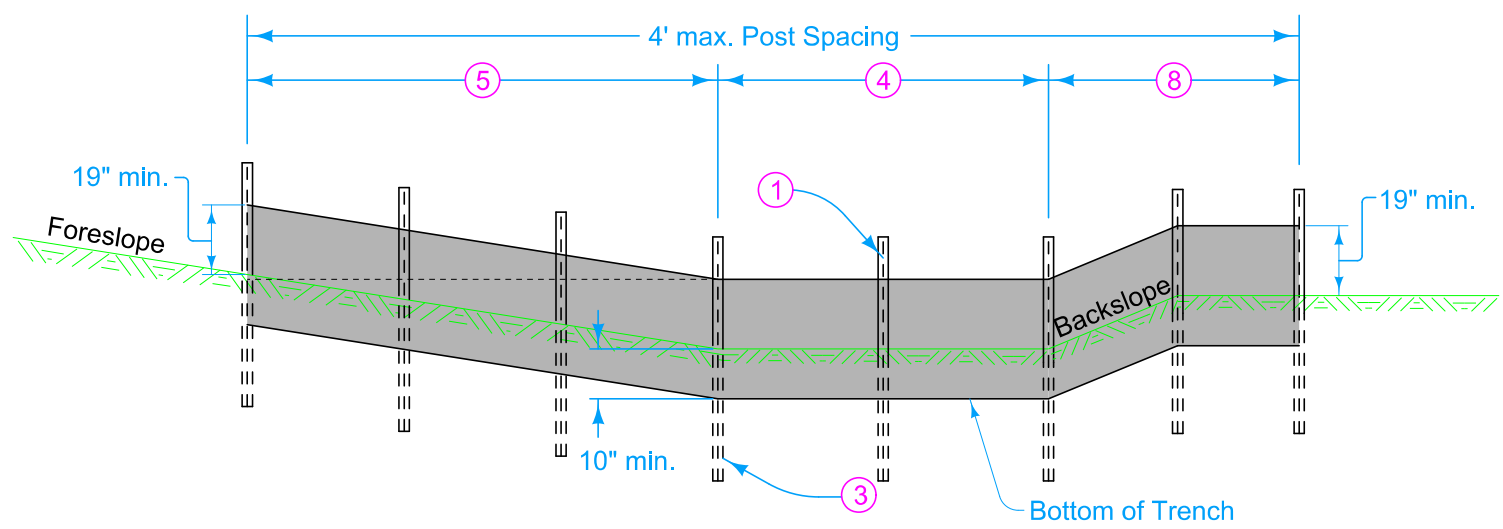
|  |          |               |
|--|----------|---------------|
|   | REVISION |               |
|  | 6        | 04-20-21      |
| <b>STANDARD ROAD PLAN</b>  |          | <b>EC-201</b> |
| REVISIONS: Modified trench to 10". Added circle notes 13 & 14.   |          | SHEET 3 of 6  |
| <br>APPROVED BY DESIGN METHODS ENGINEER |          |               |
| <b>SILT FENCE</b>  |          |               |



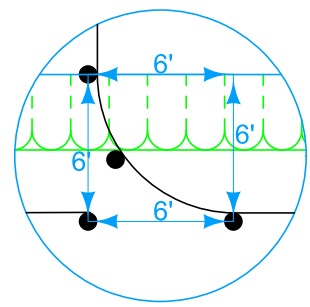
PLAN FOR SILT DITCH (SHALLOW DITCH SECTION-TYPE 4) <sup>(12)</sup>

Perimeter Silt Fence (see EC-201 page 1)

- ① Secure top of engineering fabric to steel posts using cable ties (50 lb.) or wire passing through or encompassing the belt. See attachment to post..
- ③ Embed all posts 28 inches below the ground line.
- ④ Locate posts at toe of foreslope and toe of backslope and space remaining posts equally.
- ⑤ Minimum end span (in feet) = 2 X Foreslope (H:V).
- ⑧ Place posts shown in Detail 'A' to transition from transverse to parallel installation. Place one post at the back slope intercept and the other beyond the intercept.
- ⑫ Refer to Tab. 100-18

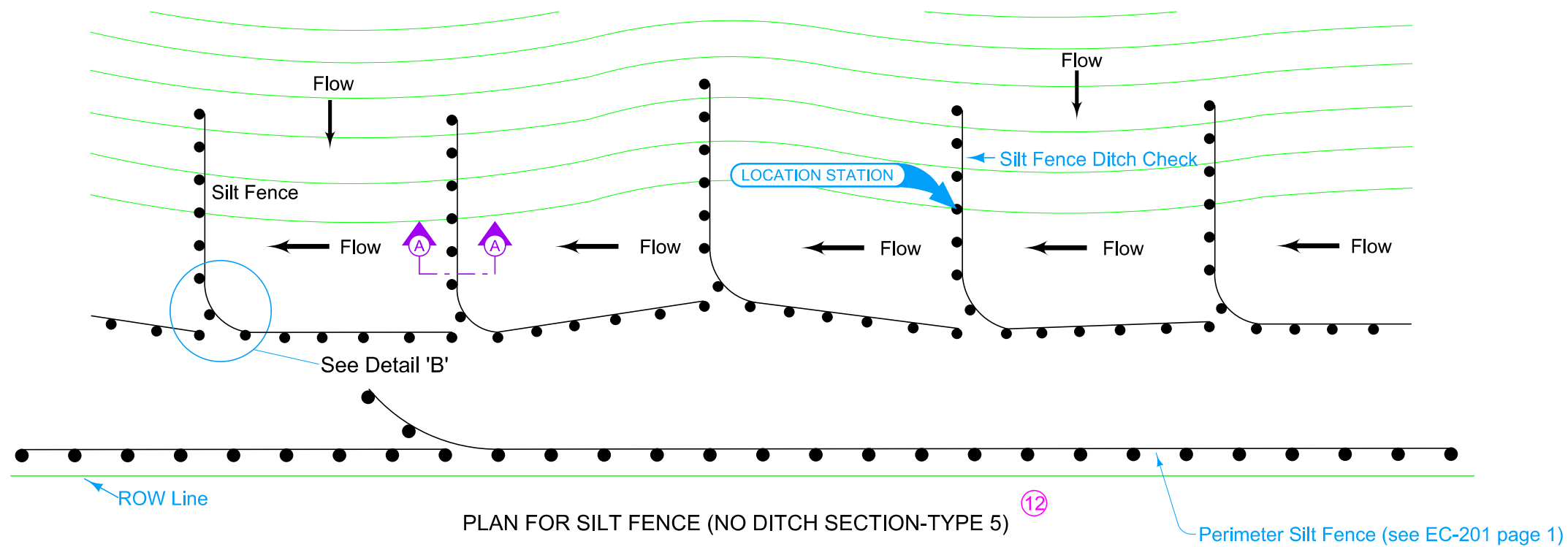


FRONT VIEW

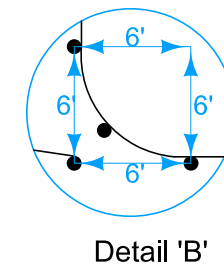
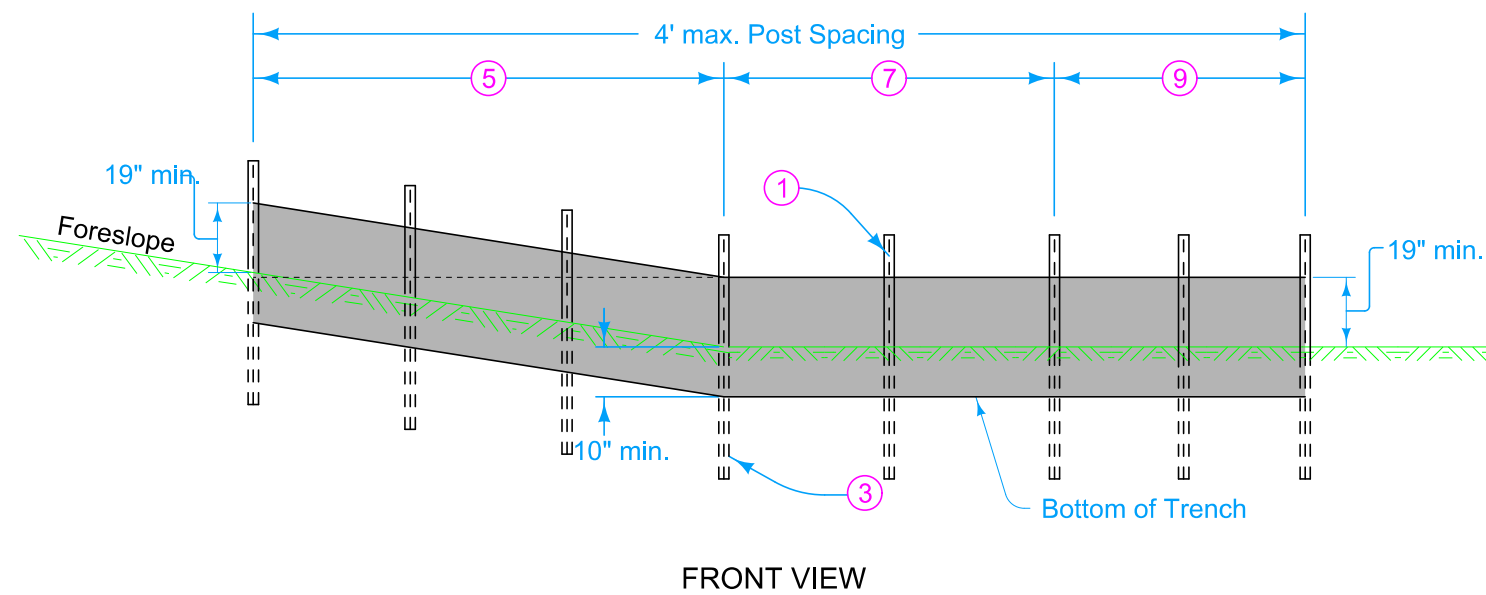


Detail 'A'

|  |          |               |
|--|----------|---------------|
|  | REVISION |               |
|  | 6        | 04-20-21      |
| <b>STANDARD ROAD PLAN</b>                                      |          | <b>EC-201</b> |
|  |          | SHEET 4 of 6  |
| REVISIONS: Modified trench to 10". Added circle notes 13 & 14. |          |               |
| <br>APPROVED BY DESIGN METHODS ENGINEER                        |          |               |
| <b>SILT FENCE</b>  |          |               |

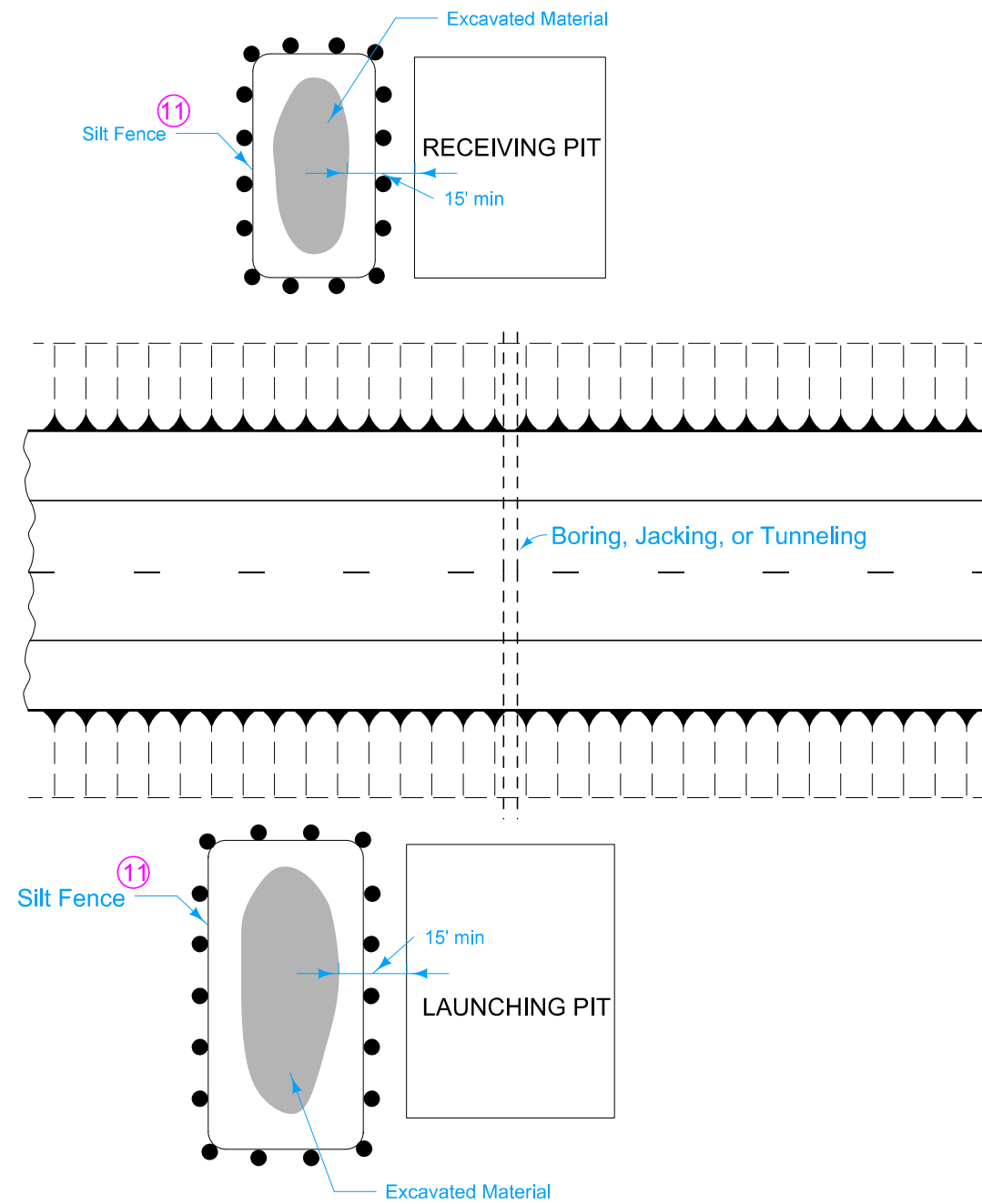


- ① Secure top of engineering fabric to steel posts using cable ties (50 lb.) or wire passing through or encompassing the belt. See attachment to post..
- ③ Embed all posts 28 inches below the ground line.
- ⑤ Minimum end span (in feet) = 2 X Foreslope (H:V).
- ⑦ Locate posts at toe of foreslope. Locate posts at 4 foot spacing
- ⑨ Place posts as shown in Detail 'B' to transition from transverse to parallel installation. The parallel portion of the installation should approximately parallel the intercept of the foreslope.
- ⑫ Refer to Tab. 100-18



|  |          |               |
|--|----------|---------------|
|  | REVISION |               |
|  | 6        | 04-20-21      |
| <b>STANDARD ROAD PLAN</b>                                      |          | <b>EC-201</b> |
|  |          | SHEET 5 of 6  |
| REVISIONS: Modified trench to 10". Added circle notes 13 & 14. |          |               |
| <br>APPROVED BY DESIGN METHODS ENGINEER                        |          |               |
| <b>SILT FENCE</b>  |          |               |

11 Refer to Tab. 100-17



PLAN FOR SILT FENCE FOR TRENCHLESS CONSTRUCTION

|  |               |          |
|--|---------------|----------|
| <b>IOWA   DOT</b>  | REVISION      |          |
|  | 6             | 04-20-21 |
| <b>STANDARD ROAD PLAN</b>                                      | <b>EC-201</b> |          |
| REVISIONS: Modified trench to 10". Added circle notes 13 & 14. | SHEET 6 of 6  |          |
| <i>Steve Miller</i><br>APPROVED BY DESIGN METHODS ENGINEER     |               |          |
| <b>SILT FENCE</b>  |               |          |