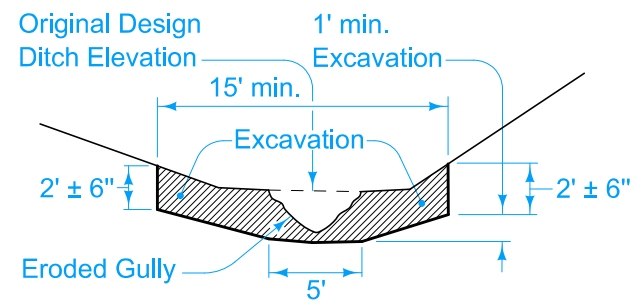
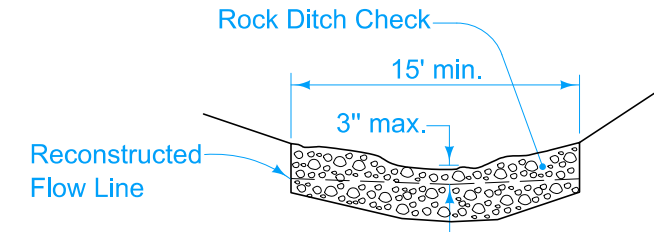


Class 10 excavation required to install Rock Erosion Control is incidental and will not be paid for separately.

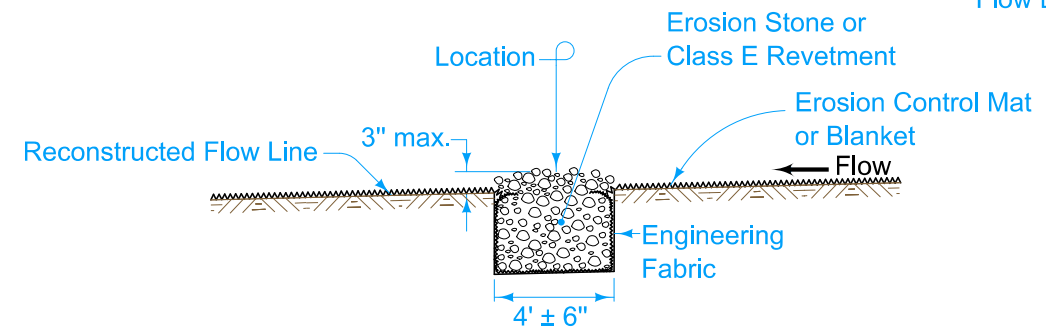
Use fabric for Embankment Erosion Control complying with Section 4196 of the Standard Specifications.



EXCAVATION SECTION

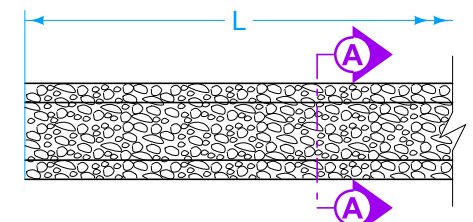


DITCH CHECK SECTION

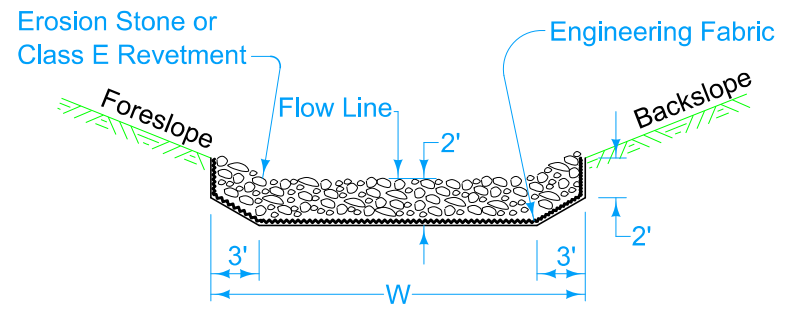


LONGITUDINAL SECTION AT CENTERLINE OF DITCH

TYPE 1
(Rock Ditch Check)

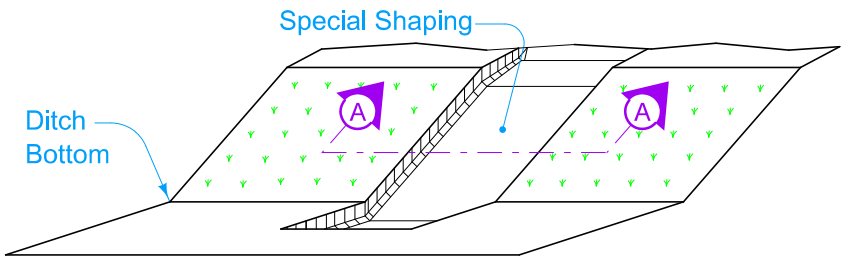


PLAN

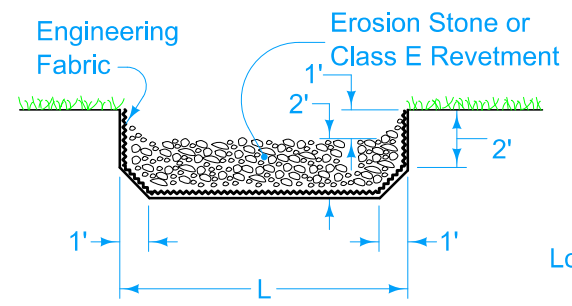


SECTION A-A

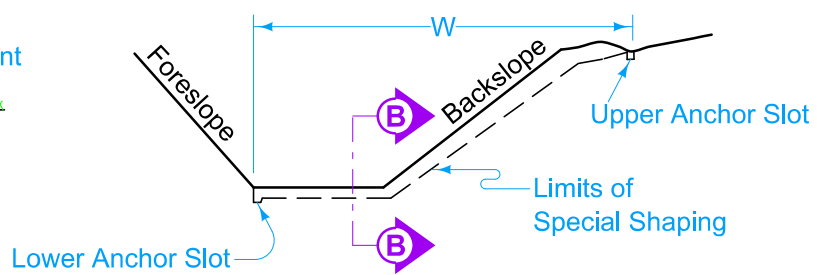
TYPE 2
(Rock Ditch)



ISOMETRIC VIEW



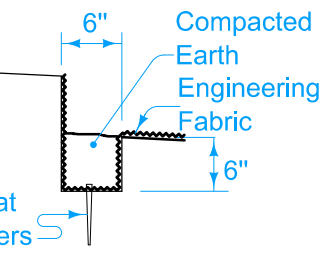
SECTION A-A



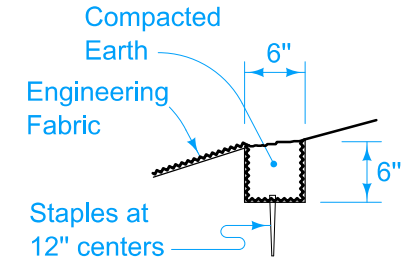
TYPICAL SECTION

Possible Contract Items:
Erosion Stone
Class E Revetment
Engineering Fabric

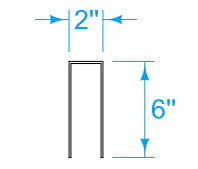
Possible Tabulation:
100-23



LOWER ANCHOR SLOT

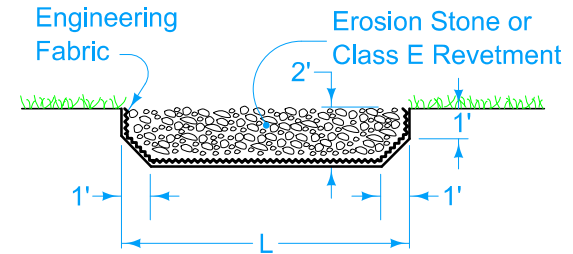


UPPER ANCHOR SLOT



STAPLE
(No. 11 wire)

TYPE 3
(Rock Flume)

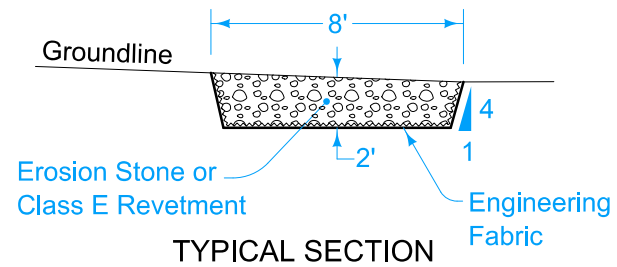
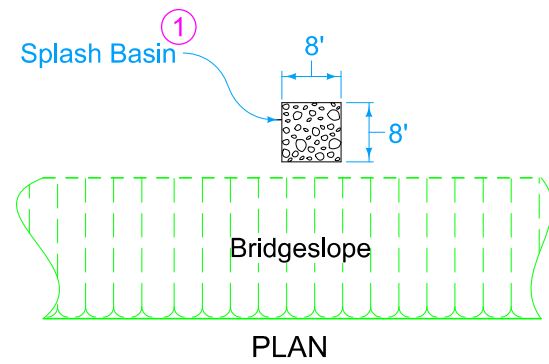


SECTION B-B

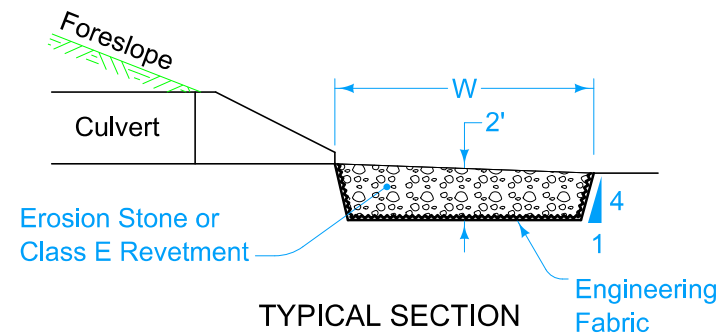
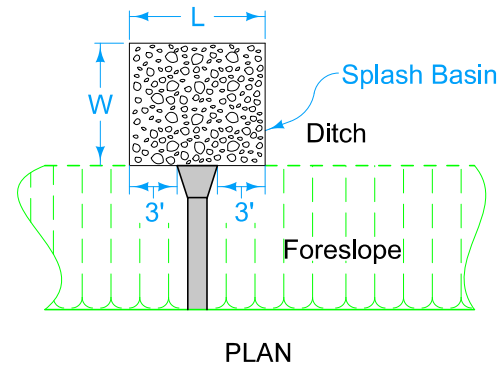
	REVISION	
	2	10-18-22
STANDARD ROAD PLAN		EC-301
REVISIONS: Added note referencing 4196		SHEET 1 of 2

APPROVED BY DESIGN METHODS ENGINEER

**ROCK EROSION CONTROL
(REC)**

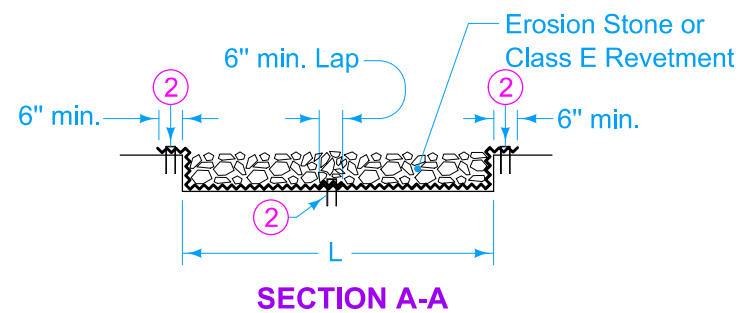
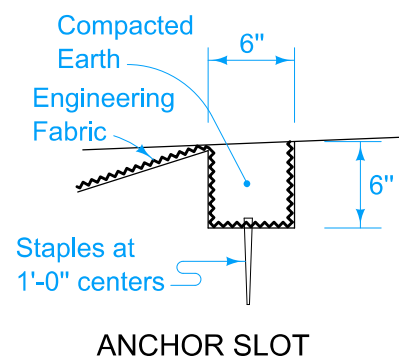
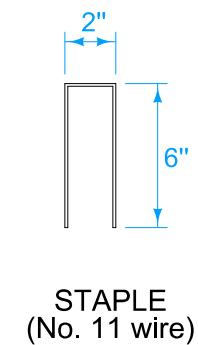
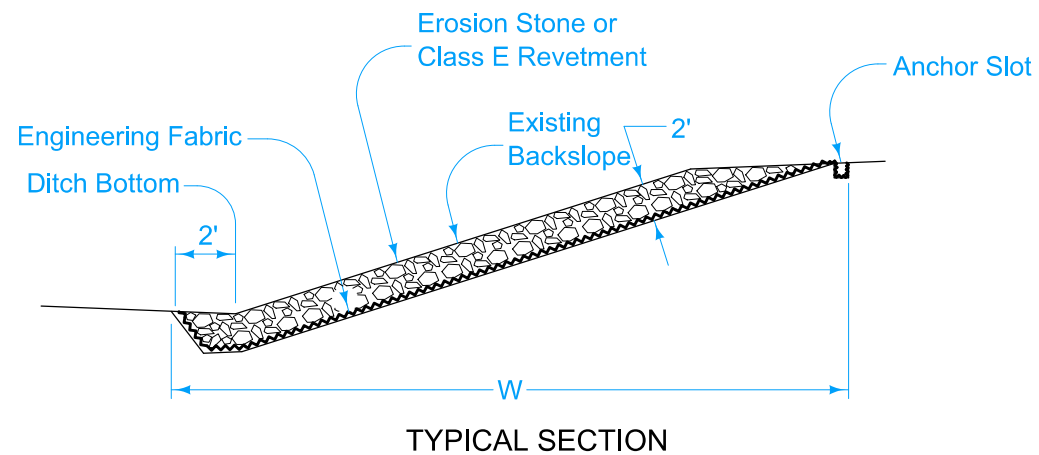
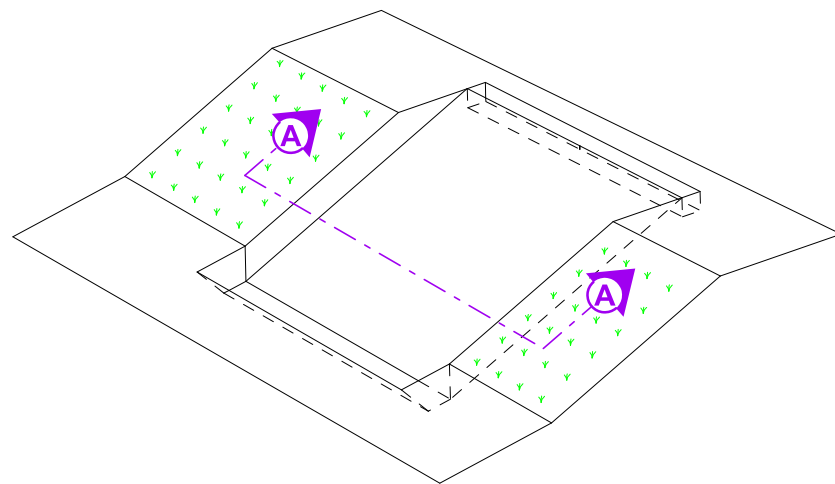


SPLASH BASIN UNDER BRIDGE DRAIN



SPLASH BASIN AT PIPE CULVERT OUTLET

TYPE 4
(Rock Splash Basin)



TYPE 5
(Rock Slope Protection)

- ① Center splash basin directly under bridge drain.
- ② Staples at 12 inch centers.

 STANDARD ROAD PLAN	REVISION	
	2	10-18-22
EC-301		SHEET 2 of 2

REVISIONS: Added note referencing 4196

Shawn Miller
APPROVED BY DESIGN METHODS ENGINEER

**ROCK EROSION CONTROL
(REC)**