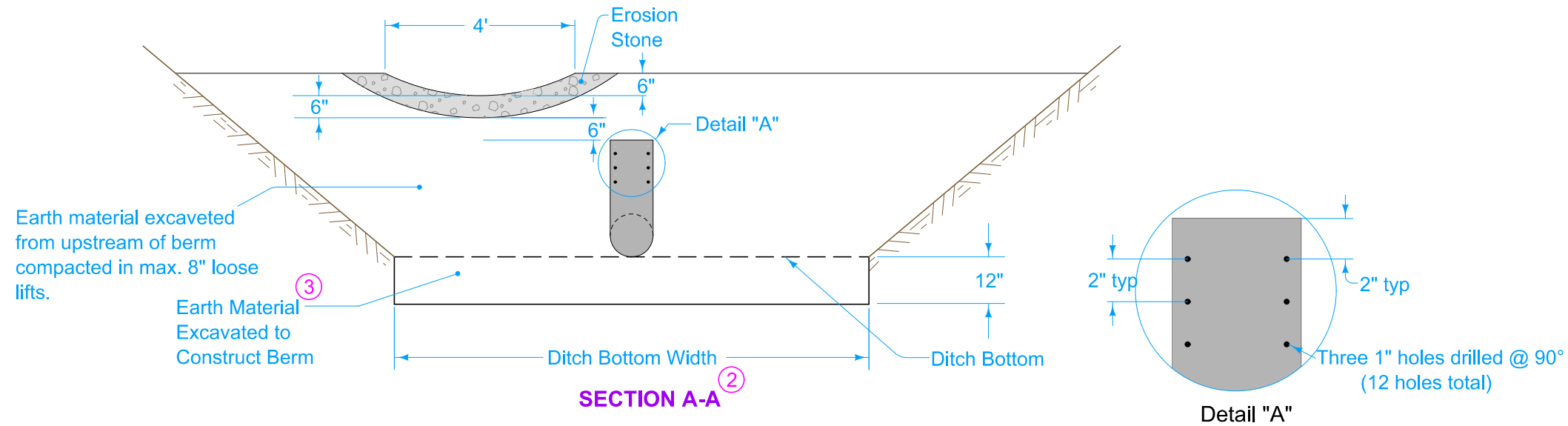


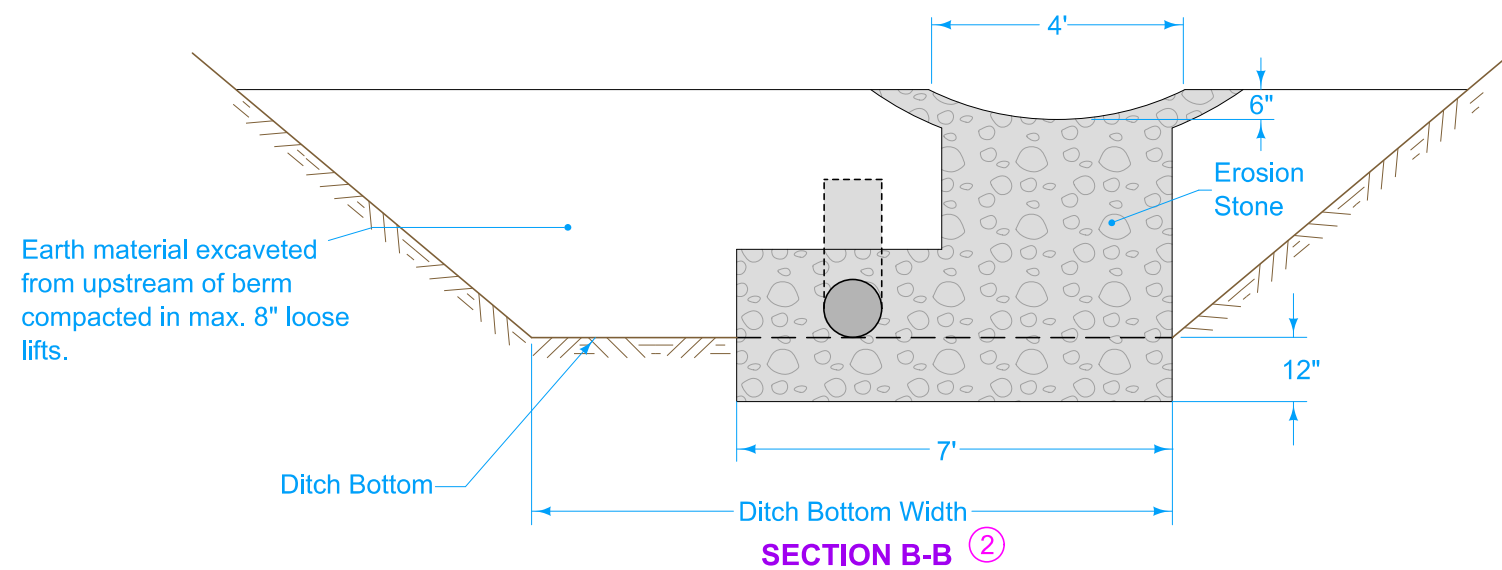
- ① Ensure Riser Pipe remains vertical.
- ② Dimensions shown are minimums.
- ③ When Temporary Sediment Control Basin is removed, if basin has not silted in to designed ditch grade, use topsoil to bring up to designed ditch grade.



Possible Contract Items:
 Temporary Sediment Control Basin
 Maintenance of Temporary Sediment Control Basin
 Removal of Temporary Sediment Control Basin

Incidental to Temporary Sediment Control Basin:
 Erosion Stone
 Pipe
 Excavated Earth Material

Possible Tabulation:
 100-33



	REVISION	
	New	10-16-18
STANDARD ROAD PLAN		EC-601
REVISIONS: New. Replaces Design Detail 570-3		SHEET 1 of 1
 APPROVED BY DESIGN METHODS ENGINEER		
TEMPORARY SEDIMENT CONTROL BASIN		