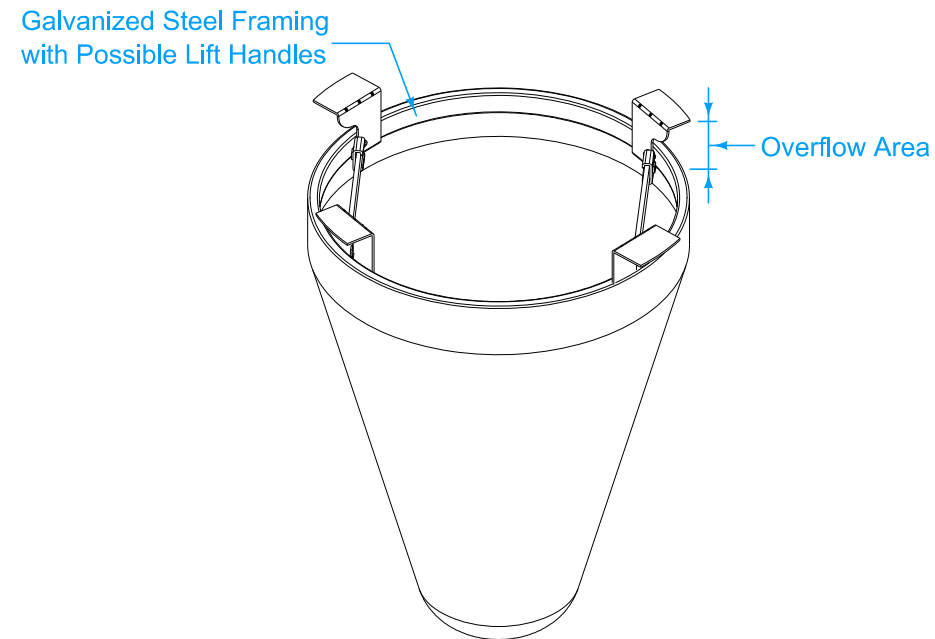
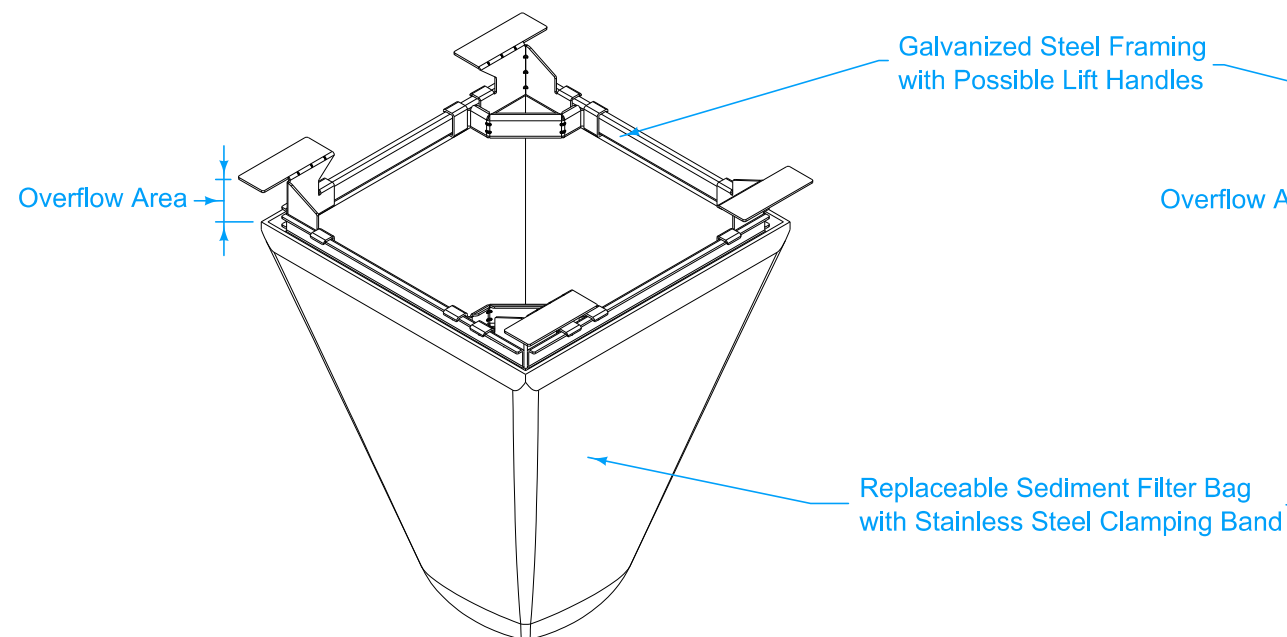


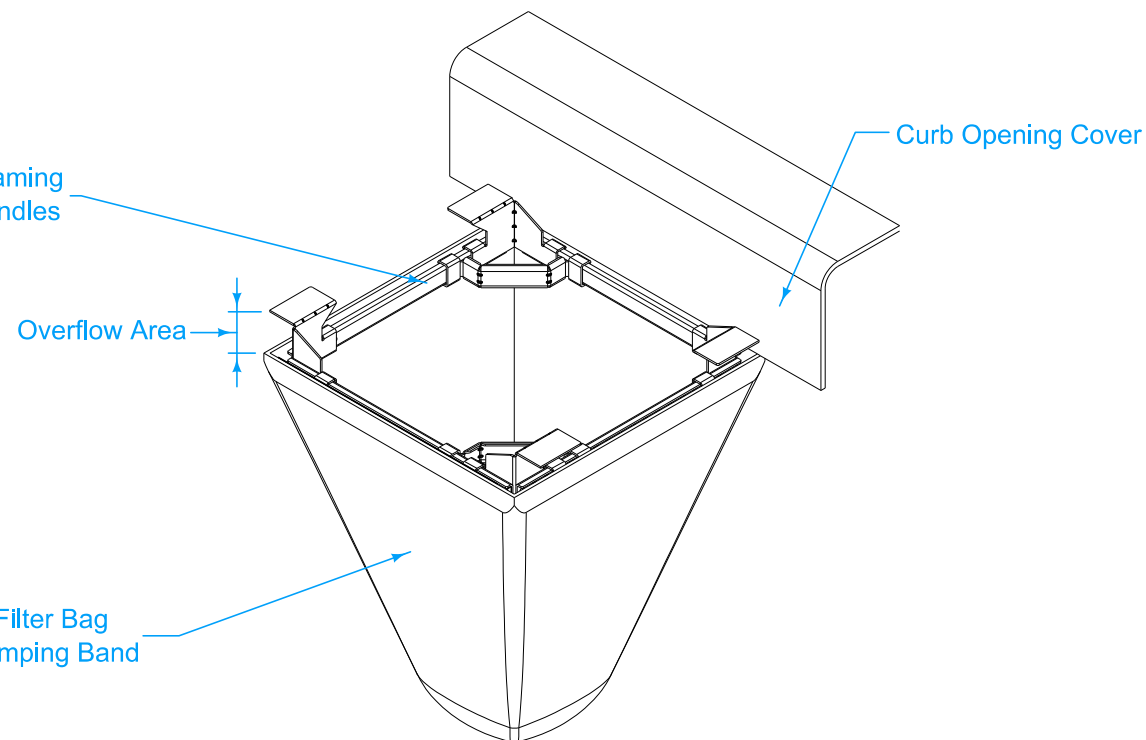
TYPICAL SEDIMENT FILTER BAG PLACEMENT



SEDIMENT FILTER BAG FOR CIRCULAR GRATE



SEDIMENT FILTER BAG FOR SQUARE OR RECTANGULAR GRATE



SEDIMENT FILTER BAG FOR COMBINATION GRATE WITH CURB OPENING

Use sediment filter bag consisting of woven material meeting the requirements of Table 4196.01-1 of the Standard Specifications, except a maximum apparent opening size of US Sieve No. 10 and a minimum flow rate of 145 gallons per minute per square foot. Sediment filter bags without steel frame and clamping bands will be allowed if overflow is provided.

Remove sediment filter bag upon stabilization of sediment sources.

Measurement for Grate Intake Sediment Filter Bag will be by count.

Basis of Payment for Grate Intake Sediment Filter Bag will be at the contract unit price for each device installed. Payment is full compensation for furnishing all equipment, labor, and materials required to install the Grate Intake Sediment Filter Bag as shown.

Method of Measurement for Maintenance of Grate Intake Sediment Filter Bag will be by count.

Basis of Payment for Maintenance of Grate Intake Sediment Filter Bag will be at the contract unit price for each occurrence. Payment is full compensation for clean out and disposal of material when capacity reaches 50%, and for any other repair needed during the project.

Measurement for Removal of Grate Intake Sediment Filter Bag will be by count.

Basis of Payment for Removal of Grate Intake Sediment Filter Bag will be at the contract unit price for each device removed. Payment is full compensation for all labor and equipment required for removal.

Possible Contract Items:

- Grate Intake Sediment Filter Bag
- Maintenance of Grate Intake Sediment Filter Bag
- Removal of Grate Intake Sediment Filter Bag

Possible Tabulation:
100-37

| | | |
|--|--------------|----------|
| | REVISION | |
| | New | 10-17-23 |
| STANDARD ROAD PLAN | EC-604 | |
| REVISIONS: New. Replaces Detail 570-7. | SHEET 1 of 1 | |
| | | |
| APPROVED BY DESIGN METHODS ENGINEER | | |
| GRATE INTAKE SEDIMENT FILTER BAG | | |