

Comply with AASHTO M 206 for Apron Reinforcement.

Dimension "E" shown is minimum and is considered the design length. Appropriately adjust for any difference between the actual length of concrete apron installed and the length indicated hereon for the length of concrete culvert pipe furnished.

Install connected pipe joints as shown on DR-121.

① Tongue end on inlet end section. Groove end on outlet end section. Inlet end section is shown.

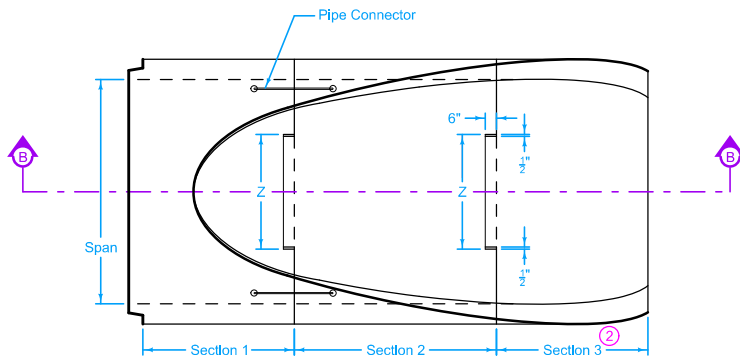
NOMINAL DIMENSIONS SPAN X RISE Inches	EQUIVALENT DIAMETER Inches	SPAN Inches	RISE Inches	SLOPE	APPROXIMATE DIMENSIONS Inches					
					T	A	B	C	E	F
22 X 14	18	22	13 1/2	3:1	2 1/2	7	27	45	72	36
29 X 18	24	28 1/2	18	3:1	3	8 1/2	39	33	72	48
37 X 23	30	36 1/4	22 1/2	3:1	3 1/2	9 1/2	50	46	96	60
44 X 27	36	43 3/8	26 5/8	3:1	4	11 1/8	60	36	96	72
52 X 32	42	51 1/8	31 5/16	3:1	4 1/2	15 13/16	60	36	96	78
59 X 36	48	58 1/2	36	3:1	5	21	60	36	96	84
65 X 40	54	65	40	3:1	5 1/2	25 1/2	60	36	96	90
73 X 45	60	73	45	3:1	6	31	60	36	96	96
88 X 54	72	88	54	2:1	7	31	60	39	99	120
102 X 62	84	102	62	2:1	8	21 1/2	83	19	102	144

Possible Contract Item:
Low Clearance Concrete Pipe Aprons

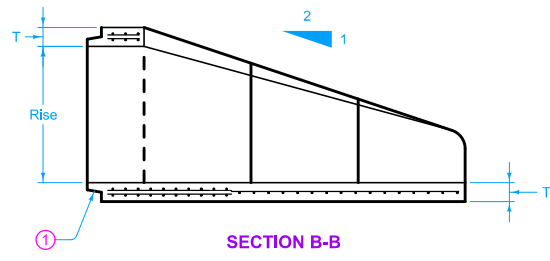
Possible Tabulations:
104-3
104-4

ARCH PIPE

 STANDARD ROAD PLAN	REVISION	
	<table border="1" style="width: 100%; border-collapse: collapse;"> <tr> <td style="width: 50%; text-align: center;">1</td> <td style="width: 50%; text-align: center;">4-21-20</td> </tr> </table>	1
1	4-21-20	
DR-202	SHEET 1 of 3	
REVISIONS: Added Designer Info button.		
 <small>APPROVED BY DESIGN METHODS ENGINEER</small>		
LOW CLEARANCE CONCRETE PIPE APRONS		

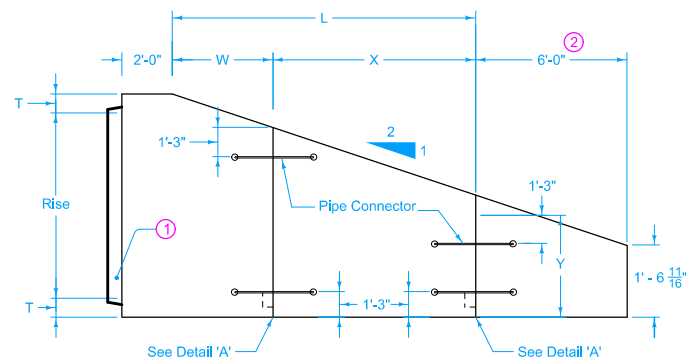


PLAN

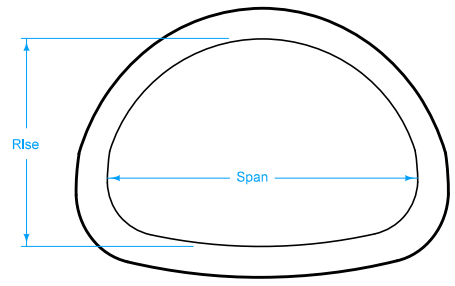


SECTION B-B

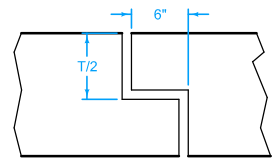
- ① Tongue end on inlet end section. Groove end on outlet end section. Inlet end section is shown.
- ② 132 inch size is a three piece end section.



ELEVATION



END

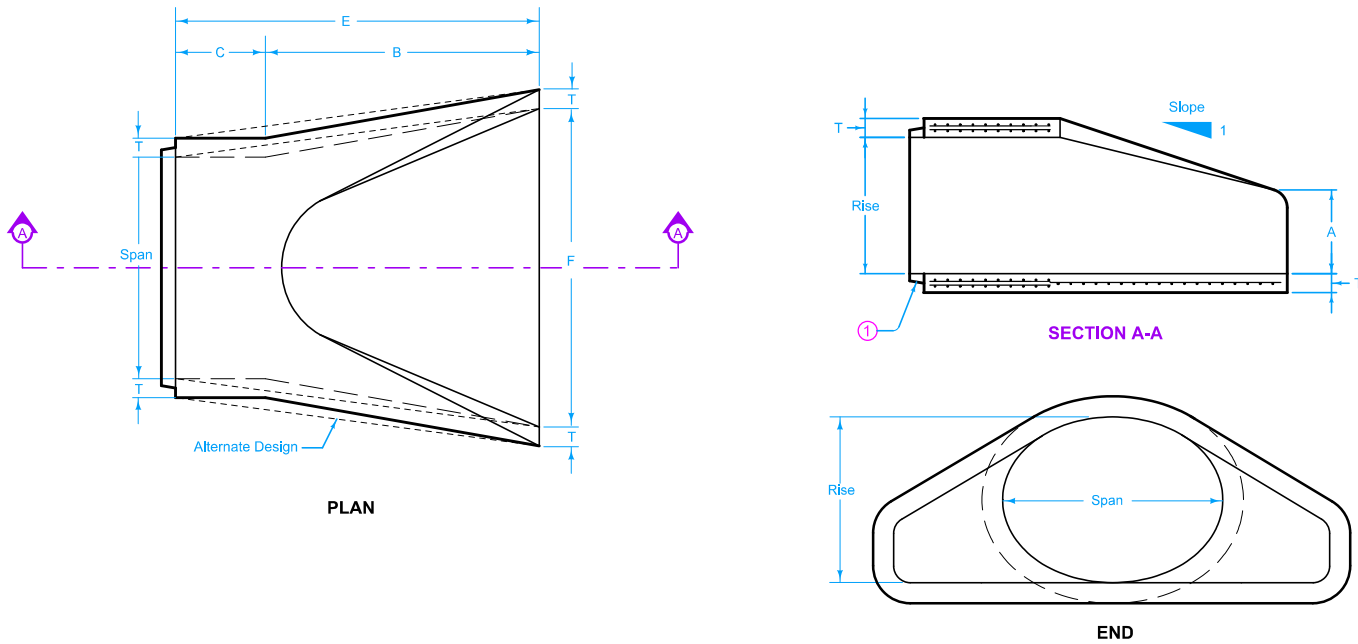


DETAIL 'A'

NOMINAL DIMENSIONS SPAN X RISE Inches	EQUIVALENT DIAMETER Inches	SPAN Inches	RISE Inches	APPROXIMATE DIMENSIONS Inches					
				T	L	W	X	Y	Z
115 X 72	90	115	72	8 1/2	102 1/4	72	30 1/4	37 7/8	48
122 X 78	96	122	77 1/2	9	112 3/2	72	40 1/2	39	54
138 X 88	108	138	87 1/8	10	129 1/2	48	81 1/2	42 3/8	66
154 X 97	120	154	96 7/8	11	144	48	96	46 7/8	78
169 X 107	132 ②	168 3/4	106 1/2	10	144	48	96	54 5/8	90

ARCH PIPE (MULTI-SECTION APRON)

 STANDARD ROAD PLAN	REVISION	
	1	4-21-20
DR-202		
SHEET 2 of 3		
<small>REVISIONS: Added Designer Info button.</small>		
 <small>APPROVED BY DESIGN METHODS ENGINEER</small>		
LOW CLEARANCE CONCRETE PIPE APRONS		



Comply with AASHTO M 207 for Apron Reinforcement.

Dimension "E" shown is minimum and is considered the design length. Appropriately adjust for any difference between the actual length of concrete apron installed and the length indicated hereon for the length of concrete culvert pipe furnished.

Install connected pipe joints as shown on DR-121.

① Tongue end on inlet end section. Groove end on outlet end section. Inlet end section shown.

EQUIVALENT DIAMETER Inches	SPAN Inches	RISE Inches	SLOPE	APPROXIMATE DIMENSIONS Inches					
				T	A	B	C	E	F
18	23	14	3:1	2 ³ / ₄	7 ¹ / ₂	27	45	72	36
24	30	19	3:1	3 ¹ / ₄	8 ¹ / ₂	39	33	72	48
30	38	24	3:1	3 ³ / ₄	9 ¹ / ₂	54	18	72	60
36	45	29	2.5 to 1	4 ¹ / ₂	11 ¹ / ₈	60	24	84	72
42	53	34	2.5 to 1	5	15 ³ / ₄	60	36	96	78
48	60	38	2.5 to 1	5 ¹ / ₂	21	60	36	96	84
54	68	43	2.5 to 1	6	25 ¹ / ₂	60	36	96	90
60	76	48	2.5 to 1	6 ¹ / ₂	30	60	36	96	96
72	91	58	2.5 to 1	7 ¹ / ₂	36	63	33	96	108
90	113	72	1.6 to 1	9	36 ¹ / ₂	58	38	96	113

ELLIPTICAL PIPE

	REVISION	
	1	4-21-20
STANDARD ROAD PLAN	DR-202	
	SHEET 3 of 3	
<small>REVISIONS: Added Designer Info button.</small>		
<small>APPROVED BY DESIGN METHODS ENGINEER</small>		
LOW CLEARANCE CONCRETE PIPE APRONS		