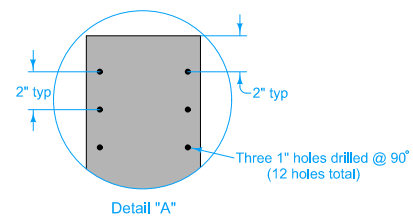
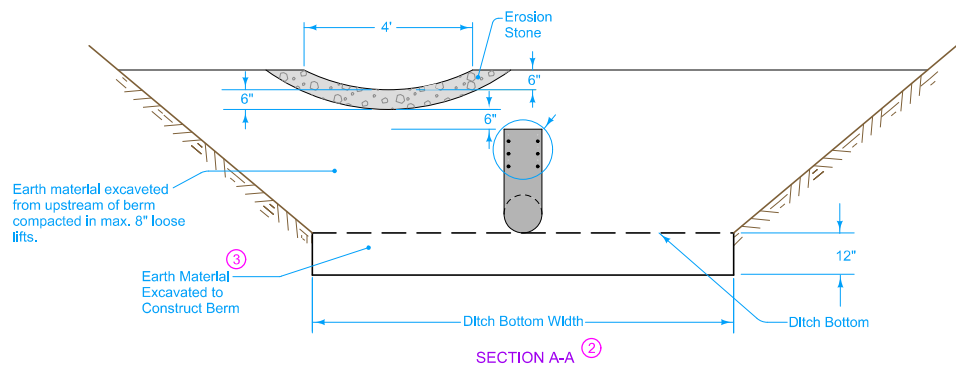


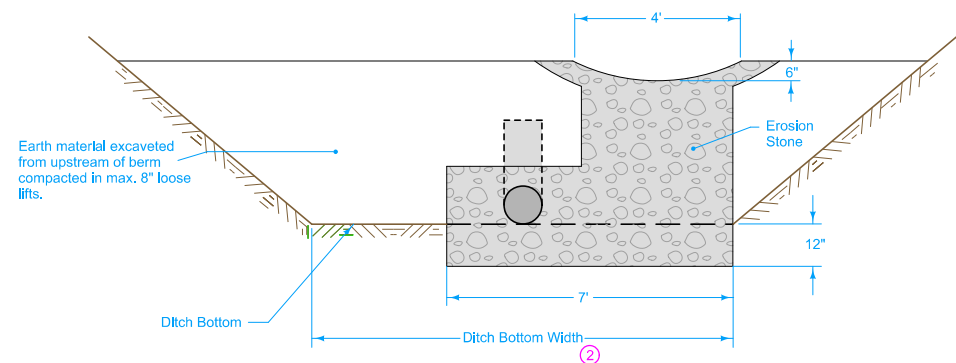
- ① Ensure Riser Pipe remains vertical.
- ② Dimensions shown are minimums.
- ③ When Temporary Sediment Control Basin is removed, if basin has not silted in to designed ditch grade, use topsoil to bring up to designed ditch grade.



Possible Contract Items:
 Temporary Sediment Control Basin
 Maintenance of Temporary Sediment Control Basin
 Removal of Temporary Sediment Control Basin

Incidental to Temporary Sediment Control Basin:
 Erosion Stone
 Pipe
 Excavated Earth Material

Possible Tabulation:
 100-33



	REVISION
	New 10-16-18
STANDARD ROAD PLAN	EC-601
SHEET 1 of 1	
REVISIONS: New. Replaces Design Detail 570-3	
APPROVED BY DESIGN METHODS ENGINEER	
TEMPORARY SEDIMENT CONTROL BASIN	