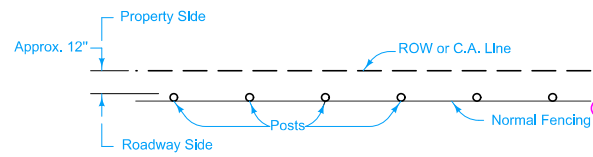
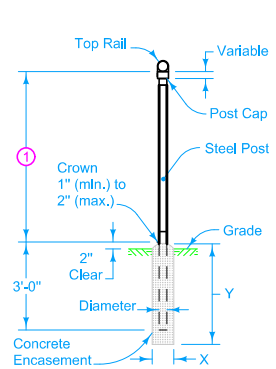


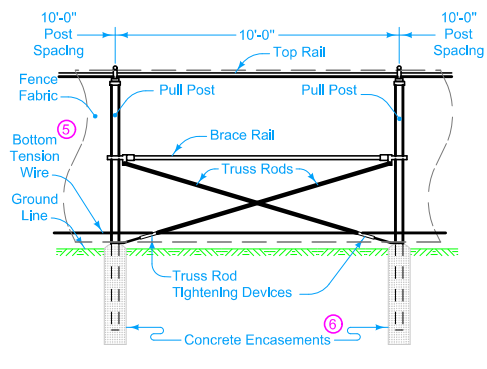
GATE INSTALLATION



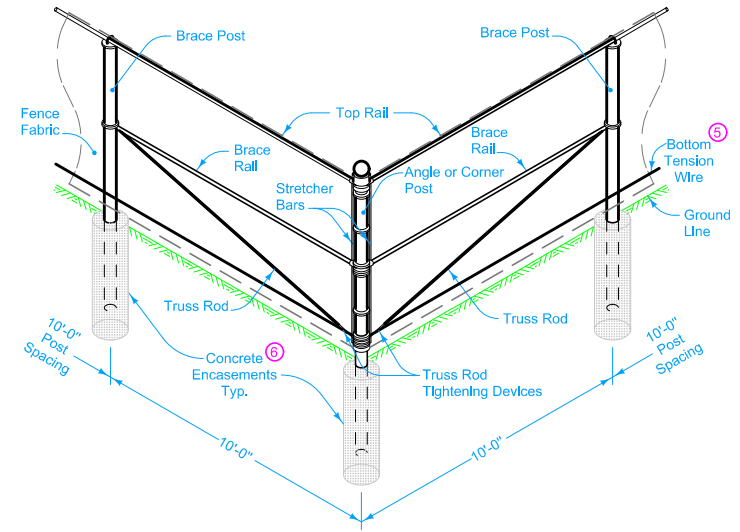
PLAN OF FENCE



POST INSTALLATION



PULL POST INSTALLATION



ANGLE OR CORNER POST INSTALLATION

Attach chain link fabric to braces, top rail, tension wire, and intermediate posts at intervals of 12 inches maximum.

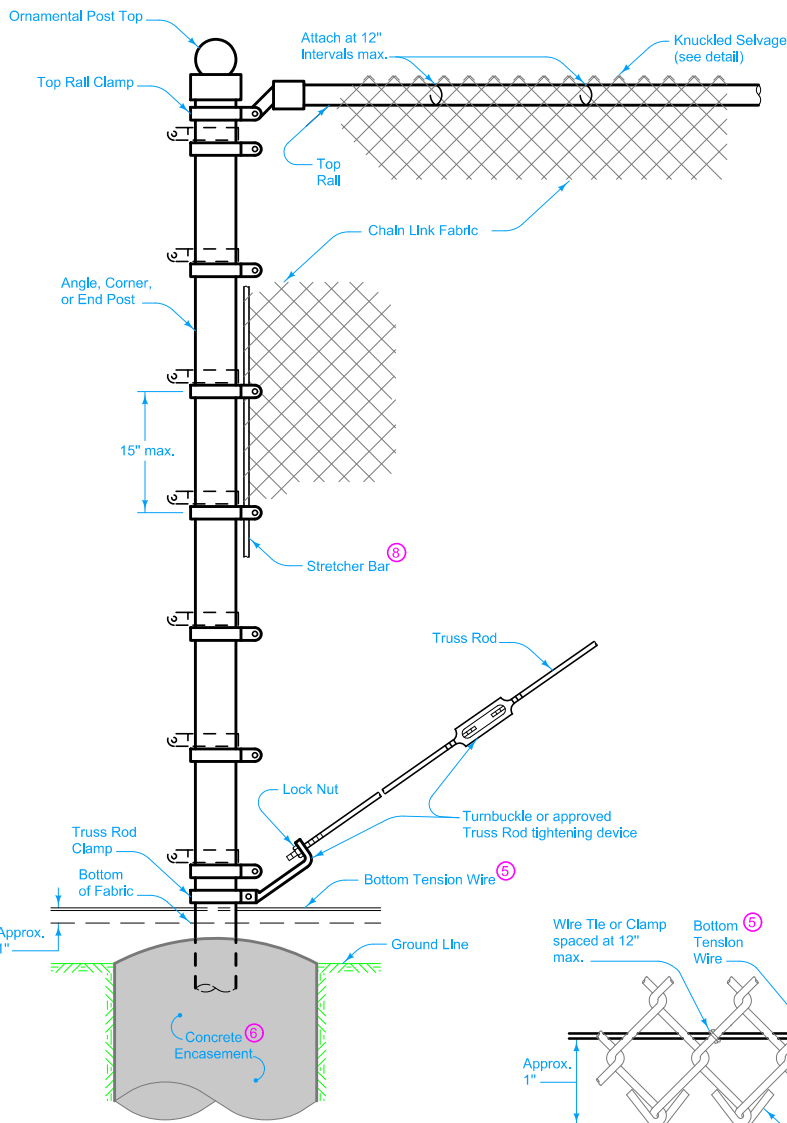
Refer to MI-104 for fencing at Channel Crossings, Minor Ground Depressions, and Flood Plains.

- ① Fabric width will be 6 feet unless specified otherwise.
- ② Unless specified otherwise, install gates 16 feet in width. Double gate (shown) is required only for widths more than 16 feet. Exact details of gate design are subject to approval of the Engineer. Furnish gate with approved stop, latch and means for locking. Install as recommended by the manufacturer.
- ③ End Post used to terminate run of fence if no gate is proposed.
- ④ Place fence fabric on roadway side of post. For stream crossings place fabric on the upstream side of the post.
- ⑤ Connect bottom tension wire to end posts, angle posts, and pull posts. Install a turnbuckle or other approved tightening device on each continuous span of tension wire.
- ⑥ Refer to Post Installation detail.

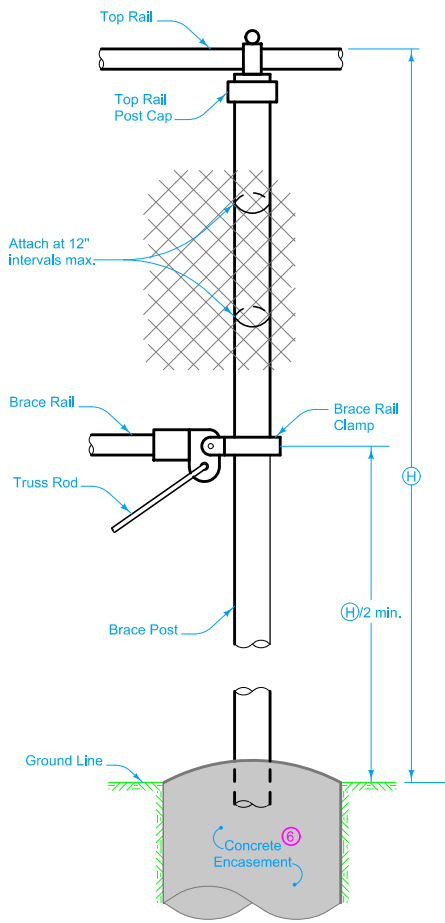
Possible Contract Items:
Chain Link Fence
Chain Link Gate Assembly

ITEM	POST SIZE			CONCRETE ENCASUREMENT SIZE	
	Nominal Pipe Size, in.	Outside Diameter, in.	Weight, lb./ft.	X	Y
Rail	1 1/4	1,660	2.27	---	---
Brace Post	1 1/4	1,660	2.27	0'-9"	3'-6"
Line Post	2	2,375	3.65	0'-9"	3'-6"
Angle, Corner, End, or Pull Post	2 1/2	2,875	5.79	1'-0"	3'-8"
Gate Post for various gate widths:					
6 ft. or less	2 1/2	2,875	5.79	1'-0"	3'-8"
over 6 ft. to 12 ft.	3 1/2	4,000	9.11	1'-0"	4'-0"
over 12 ft. to 18 ft.	6	6,625	18.97	1'-4"	4'-0"
over 18 ft. to 24 ft.	8	8,625	28.55	1'-6"	4'-0"

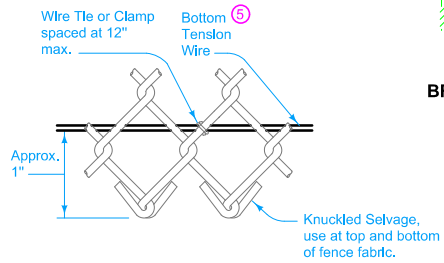
 STANDARD ROAD PLAN	REVISION 3 10-20-15
	MI-102
	SHEET 1 of 2
REVISIONS: Replaced the DOT logo in the title block with the new version.	
 APPROVED BY DESIGN METHODS ENGINEER	
CHAIN LINK FENCE CONSTRUCTION	



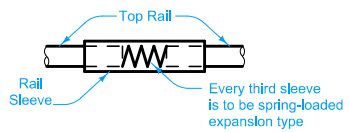
ANGLE, CORNER, OR END POST ASSEMBLY



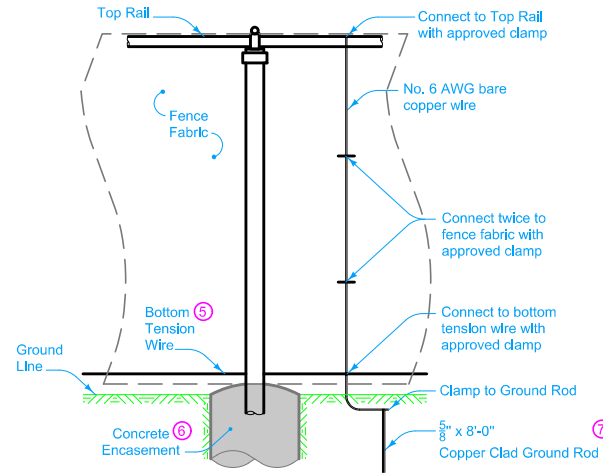
BRACE POST ASSEMBLY



BOTTOM TENSION WIRE AND KNUCKLED SELVAGE



RAIL SLEEVE



GROUND ROD INSTALLATION

- (5) Connect bottom tension wire to end posts, angle posts, corner posts, and pull posts. Install a turnbuckle or other approved tightening device on each continuous span of tension wire.
- (6) Refer to Post Installation detail.
- (7) Drive ground rod vertically until the top is 6 inches below the ground surface.
- (8) Secure each end of each run of fabric using a stretcher bar inserted in the final links of the fabric. Use a bar that is as long as the fabric is wide.

 STANDARD ROAD PLAN	REVISION		
	<table border="1"> <tr> <td>3</td> <td>10-20-15</td> </tr> </table>	3	10-20-15
	3	10-20-15	
MI-102			
SHEET 2 of 2			
<small>REVISIONS: Replaced the DOT logo in the title block with the new version.</small>			
 <small>APPROVED BY DESIGN METHODS ENGINEER</small>			
CHAIN LINK FENCE CONSTRUCTION			