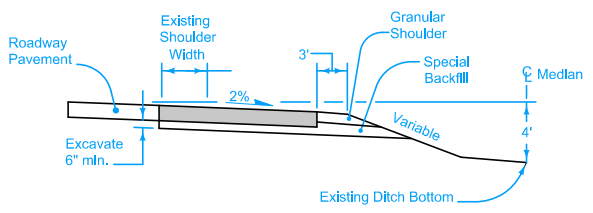
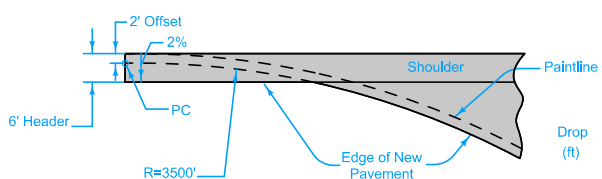


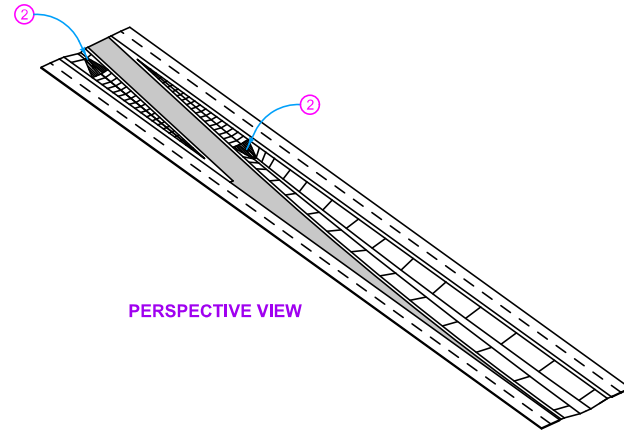
SECTION A-A



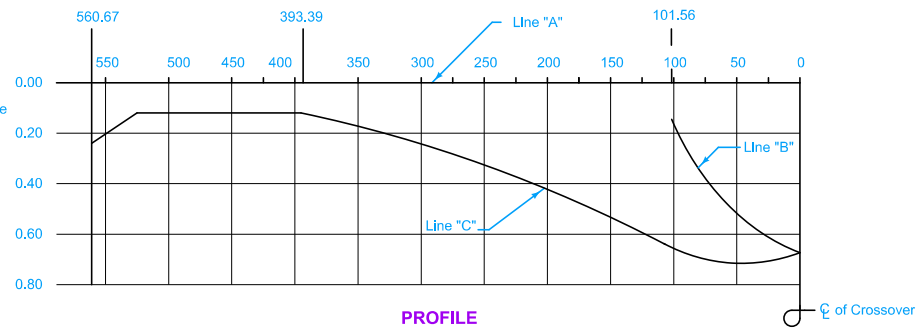
SECTION B-B



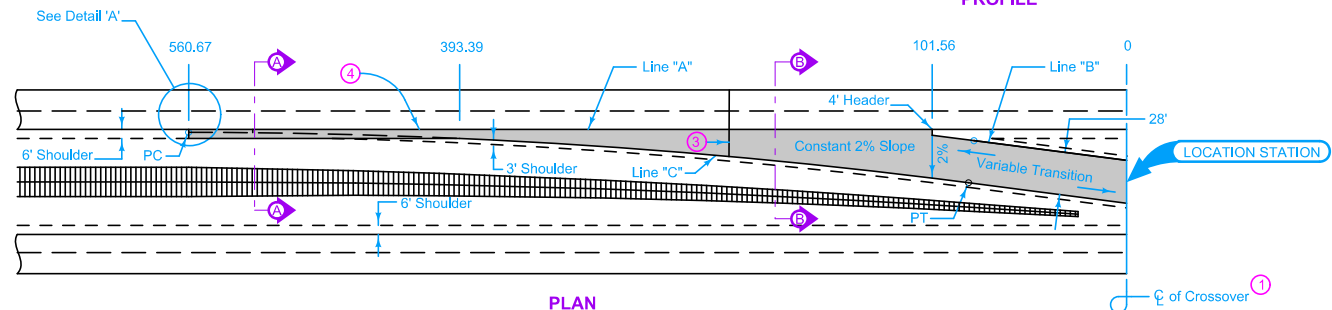
DETAIL 'A'



PERSPECTIVE VIEW



PROFILE



PLAN

- Detour Pavement options: 9" PCC or 12" HMA
 For joint details, see PV-101.
- Median crossover is symmetrical about centerline.
 - Median pipe for crossover. See DR-504.
 - For PCC Detour Pavement, match existing roadway joints. 'CD' joints are required.
 - 'KT-2' or 'L-2' joint if mainline pavement is new construction. Bend bars out. 'BT-3' joint if mainline pavement is existing. 'B' joint if Detour Pavement is HMA.

DESIGN QUANTITY TABLE		
Detour Pavement Sq. Yds.	Special Backfill Tons	Granular Shoulder Tons
1970	845	*225

*Quantity based on 8" shoulder depth.



- Possible Contract Items:
 Detour Pavement
 Embankment In Place
 Excavation, Class 10, Roadway and Borrow
 Excavation, Class 13, Roadway and Borrow
 Granular Shoulders, Type A
 Removal of Pavement
 Special Backfill

Possible Tabulation:
 112-8

TABLE OF OFFSETS AND DROPS																							
Distance (Feet)	560.67	550	500	450	400	393.39	375	350	325	300	275	250	225	200	175	150	125	101.56	100	75	50	25	0
Offset A to C (Feet)	6.00	6.00	6.00	6.00	6.00	6.00	6.93	8.35	9.94	11.72	13.68	15.81	18.13	20.63	23.31	26.18	29.22	32.24	32.45	35.84	39.27	42.70	46.13
Drop A to C (Feet)	0.24	0.22	0.12	0.12	0.12	0.12	0.14	0.17	0.20	0.23	0.27	0.32	0.36	0.41	0.47	0.52	0.58	0.64	0.66	0.70	0.71	0.72	0.68
Drop A to B (Feet)																		0.08	0.16	0.38	0.52	0.61	0.68

STANDARD ROAD PLAN

REVISIONS: New logo and modified circle note 2.

REVISION
4 04-21-20

PV-505

SHEET 1 of 1

APPROVED BY DESIGN METHODS ENGINEER

MEDIAN CROSSOVER
(64' MEDIAN)
28' WIDE 2 LANE