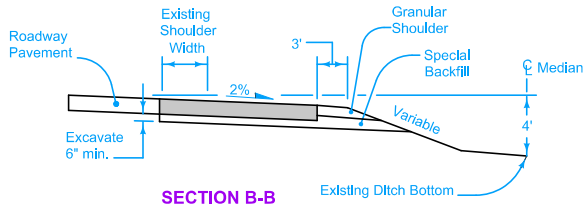
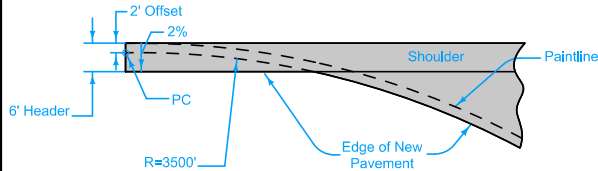


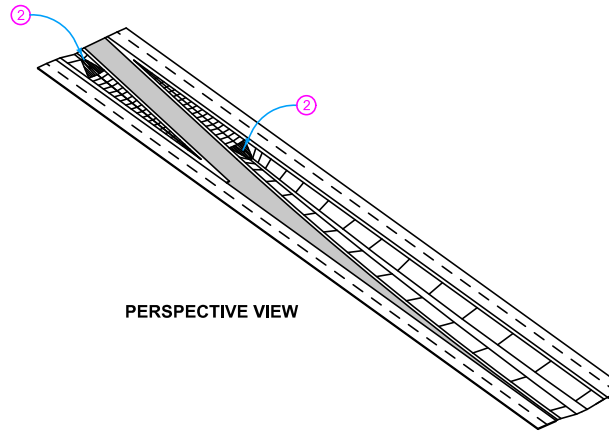
SECTION A-A



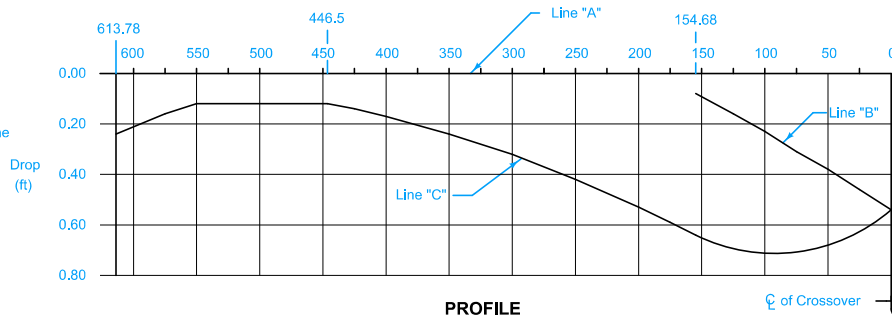
SECTION B-B



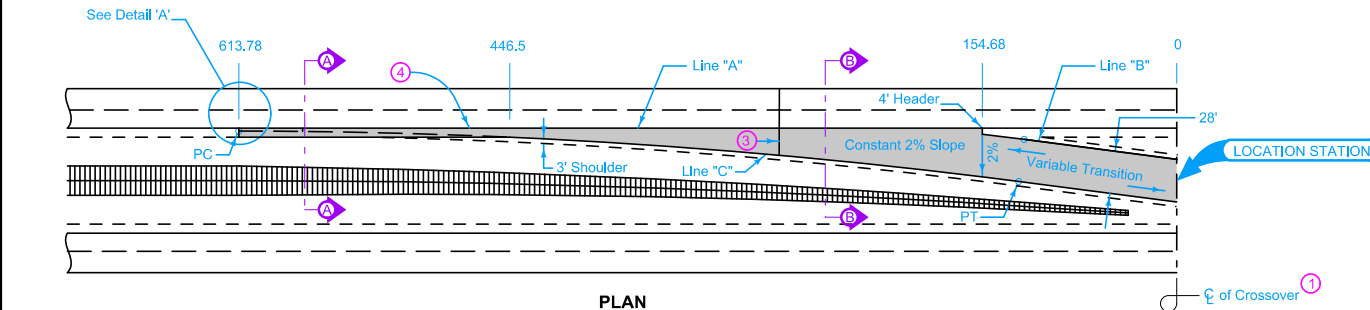
DETAIL 'A'



PERSPECTIVE VIEW



PROFILE



PLAN

TABLE OF OFFSETS AND DROPS																						
Distance (Feet)	613.78	575	550	525	500	475	446.5	425	400	350	300	250	200	175	154.68	125	100	75	50	25	0	
Offset A to C (Feet)	6.00	6.00	6.00	6.00	6.00	6.00	6.00	7.10	8.53	11.95	16.09	20.96	26.55	29.61	32.24	36.30	39.92	43.70	47.52	51.34	55.16	
Drop A to C (Feet)	0.24	0.16	0.12	0.12	0.12	0.12	0.12	0.14	0.17	0.24	0.32	0.42	0.53	0.59	0.64	0.69	0.71	0.71	0.68	0.63	0.54	
Drop A to B (Feet)																						

Detour Pavement options: 9" PCC or 12" HMA

For joint details, see PV-101.

- ① Median crossover is symmetrical about centerline.
- ② Median pipe for crossover. See DR-504.
- ③ For PCC Detour Pavement, match existing roadway joints. 'CD' joints are required.
- ④ 'KT-2' or 'L-2' joint if mainline pavement is new construction. Bend bars out.
'BT-3' joint if mainline pavement is existing.
'B' joint if Detour Pavement is HMA.

DESIGN QUANTITY TABLE		
Detour Pavement Sq. Yds.	Special Backfill Tons	Granular Shoulder Tons
2305	985	*270

*Quantity based on 8" shoulder depth.



Possible Contract Items:

- Detour Pavement
- Embankment In Place
- Excavation, Class 10, Roadway and Borrow
- Excavation, Class 13, Roadway and Borrow
- Granular Shoulder, Type A
- Removal of Pavement
- Special Backfill

Possible Tabulation:

112-8

 STANDARD ROAD PLAN	REVISION
	1 04-21-20
	PV-511
SHEET 1 of 1	

REVISIONS: New logo and modified circle note 2.

APPROVED BY DESIGN METHODS ENGINEER

MEDIAN CROSSOVER
(82' MEDIAN)
28' WIDE 2 LANE