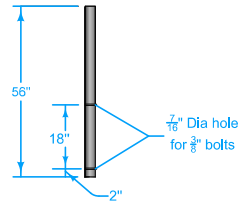
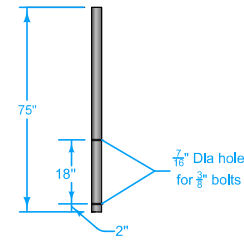


AUXILIARY
SIGN MOUNTING BAR
Type 1

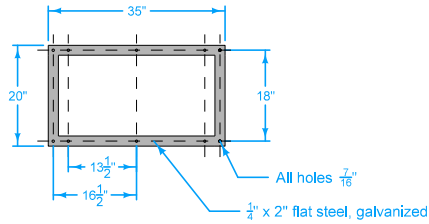


PIPE DETAIL
(Bracket 'F')
Type 4A

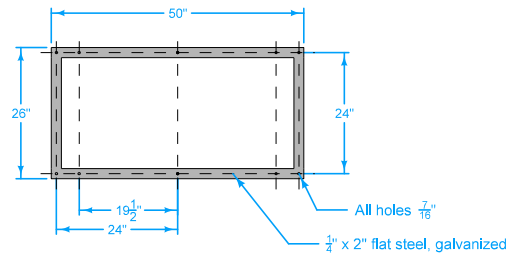


PIPE DETAIL
(Bracket 'F1')
Type 4B

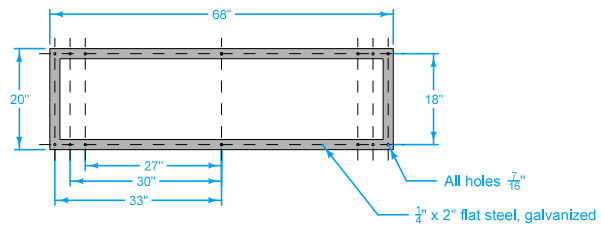
Bid price for the brackets is to include the necessary mounting bolts, washers, nuts, and set screws.



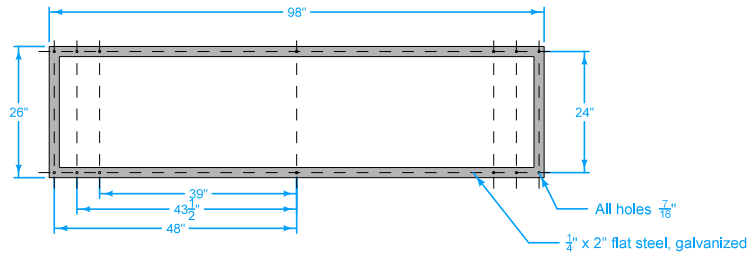
ONE POST
SIGN MOUNTING BRACKET
FOR 24" ROUTE SHIELDS
Type 2



ONE POST
SIGN MOUNTING BRACKET
FOR 36" ROUTE SHIELDS
Type 5

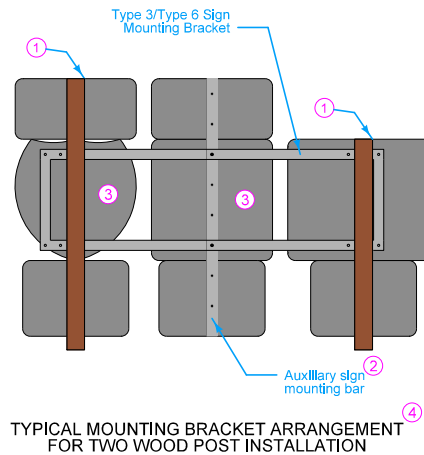
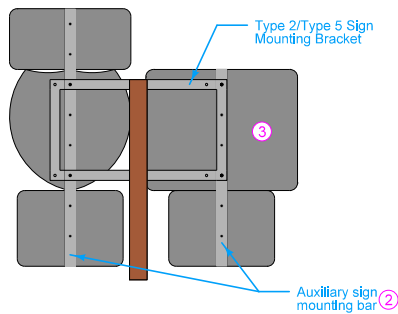
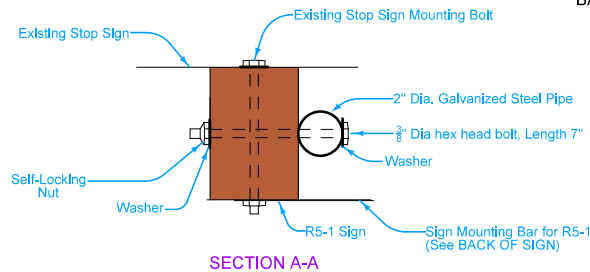
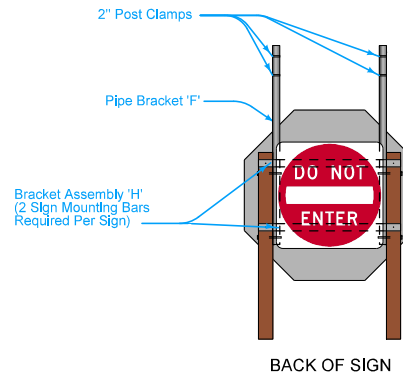
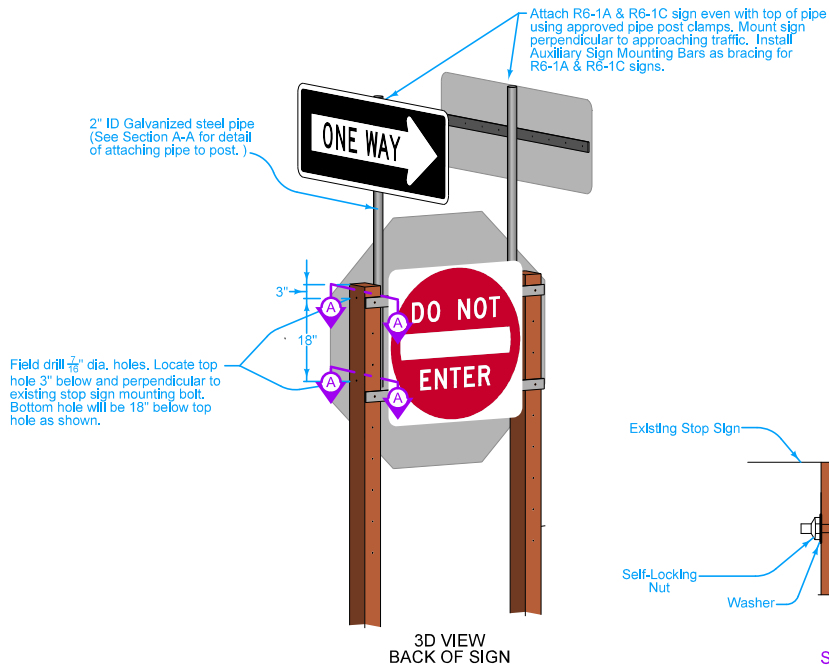


TWO POST
SIGN MOUNTING BRACKET
FOR 24" ROUTE SHIELDS
Type 3



TWO POST
SIGN MOUNTING BRACKET
FOR 36" ROUTE SHIELDS
Type 6

	REVISION	
	3	10-17-17
	STANDARD ROAD PLAN	
		SI-119
		SHEET 1 of 2
REVISIONS: Auxiliary sign mounting brackets have been added to 3D VIEW BACK OF SIGN on page 2.		
APPROVED BY DESIGN METHODS ENGINEER 		
SUPPORT STRUCTURES - MOUNTING BRACKETS		



- ① Mount the wood post so that the top is flush with the top of the sign panel.
- ② Extend the Auxiliary Sign Mounting Bracket to the full length of the proposed mounted sign assembly.
- ③ Maintain a 3 inch space between Route Shields. This should be accomplished by using different drilled holes specified on the brackets, and will vary depending on the number of 2 or 3 digit signs in the assembly.
- ④ Perforated square steel tube (PSST) posts may be substituted for wood posts if approved by the Engineer.

IOWA DOT	REVISION	
	3	10-17-17
STANDARD ROAD PLAN		SI-119
		SHEET 2 of 2
<small>REVISIONS: Auxiliary sign mounting brackets have been added to 3D VIEW BACK OF SIGN on page 2.</small>		
<i>Brian Smith</i> <small>APPROVED BY DESIGN METHODS ENGINEER</small>		
SUPPORT STRUCTURES - MOUNTING BRACKETS		