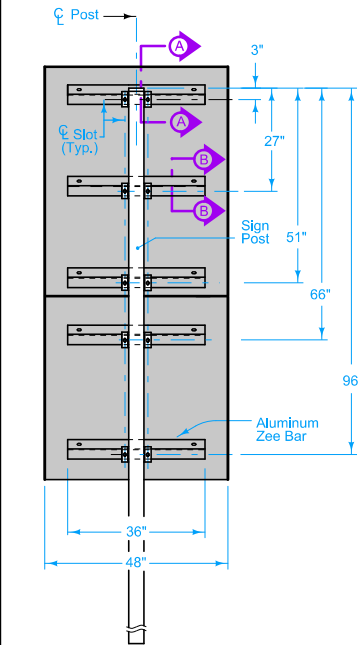


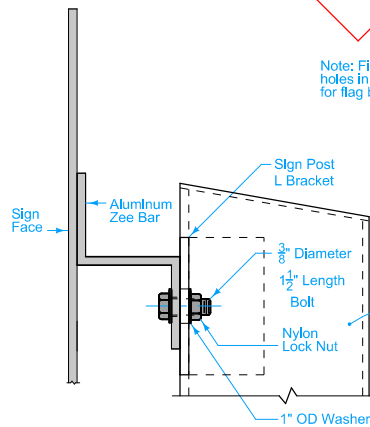
**PLAN**

\*NOTE: Treated Wood or Perforated Square Tube Post

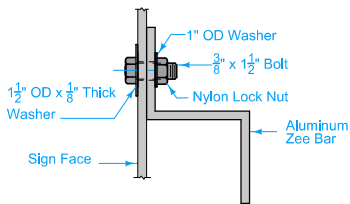
**WOOD OR PERFORATED SQUARE TUBE POST ATTACHMENT**



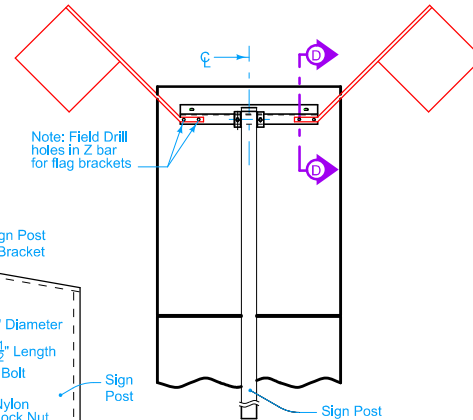
**BACK ELEVATION 4" x 6" RECTANGULAR TUBE POST ATTACHMENT DETAILS**



**SECTION A-A**

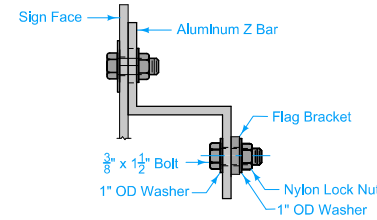


**SECTION B-B**

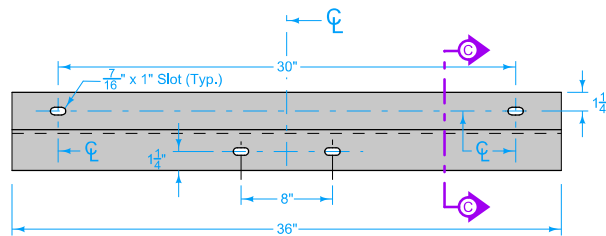


**BACK ELEVATION ATTACHMENT DETAILS FOR FLAGS**

Refer to SI-114 for details of steel breakaway sign post rectangular tube.

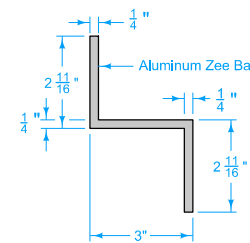


**SECTION D-D**



**ALUMINUM ZEE BAR**

**RECTANGULAR TUBE POST ATTACHMENT**



**SECTION C-C**

Possible Contract Items:  
Steel Breakaway Sign Post  
Wood Sign Post

 <b>STANDARD ROAD PLAN</b>	REVISION	4	10-18-16
	<b>SI-131</b>		
	SHEET 1 of 1		

REVISIONS: Replaced old Iowa DOT logo with new logo.

*Brian Smith*  
APPROVED BY DESIGN METHODS ENGINEER

**INSTALLATION - TYPE 'A' SIGNS**