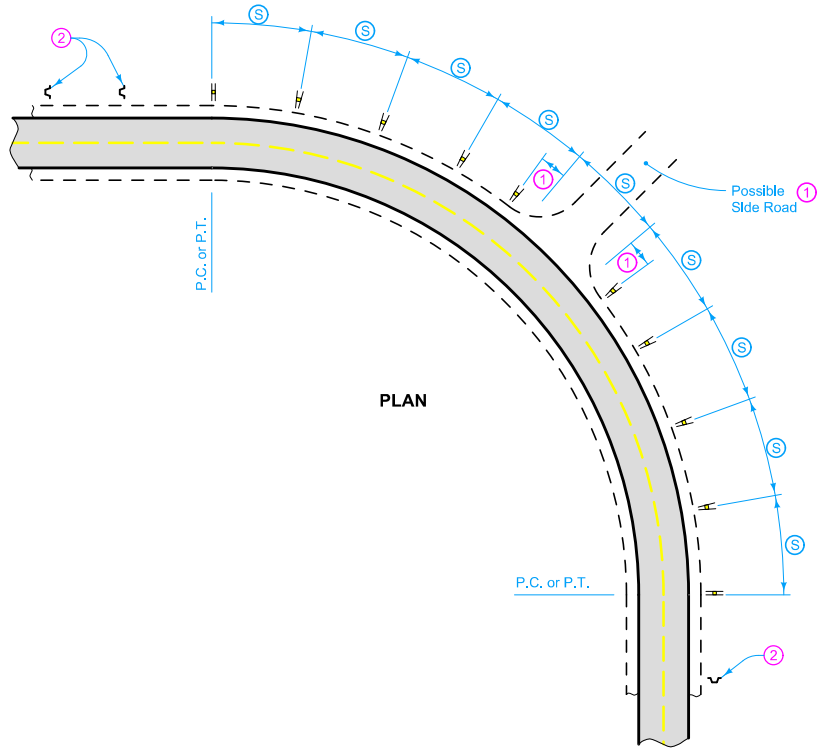


DESIGNER INFO

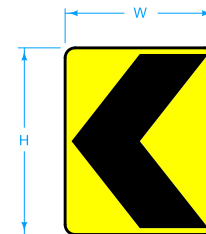
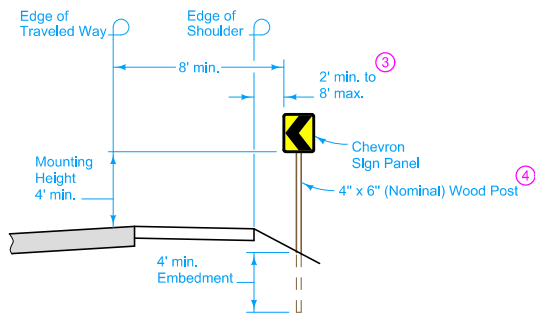


To be effective, Chevron Sign Panels should be visible for at least 500 feet. Attach Chevron Sign Panels to the adjustable brackets at an angle so headlight beams are not reflected back into the driver's eye.

Furnish adjustable brackets in all aluminum or all galvanized steel products. Include locking devices on all bolts.

Each correctly installed "Guidance Marker, Chevron W1-8 (Special)" will be counted and paid for at the contract unit price. Payment is full compensation for furnishing and installing one wood post, two chevron W1-8 sign panels, approved mounting brackets, braces, and all work necessary to install as shown.

- ① Adjust chevron locations as necessary to meet (S) as near as possible.
- ② Possible delineators.
- ③ Align horizontal placement of Chevrons with roadway delineators if applicable.
- ④ Perforated Square Steel Tube (PSST) may be substituted for the wood post if allowed by the Engineer.



CHEVRON SIGN PANEL (W1-8)

Colors: Chevron - Black (non-reflective)
Background - Yellow (reflective)

Possible Contract Item:
Guidance Marker, Chevron W1-8 (Special)

Possible Tabulation:
108-34

LEGEND	
	Guidance Marker, Chevron

TYPICAL SECTION

 STANDARD ROAD PLAN	REVISION	04-19-16
	3	
	SI-175	
SHEET 1 of 1		

REVISIONS: Changed mounting height to match MUTCD. Removed views of brackets no longer used. Added circle note 4.

Brian Smith
APPROVED BY DESIGN METHODS ENGINEER

CHEVRONS