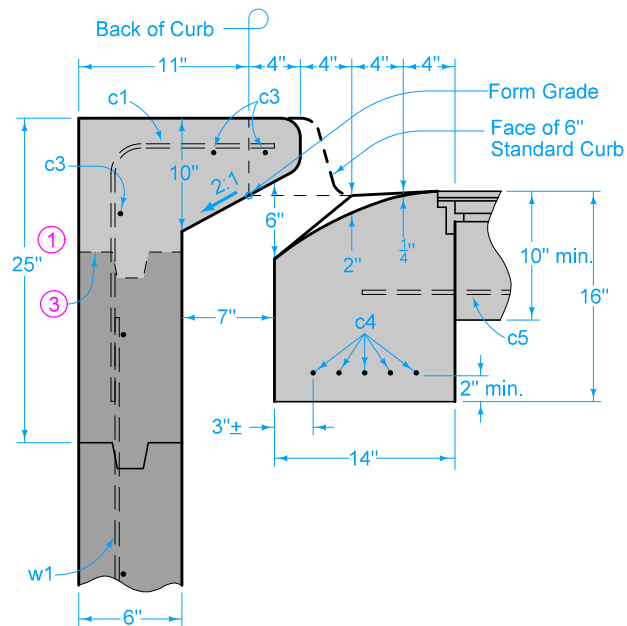
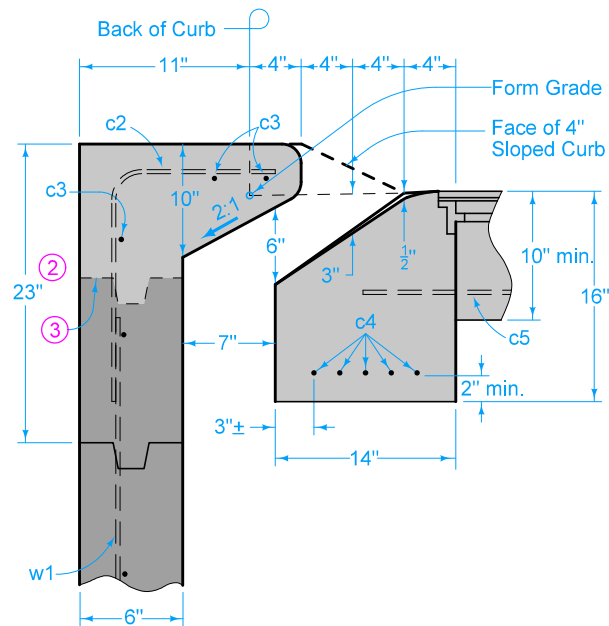


- ① 39 inches when attaching the SW-542 extension unit.
- ② 37 inches when attaching the SW-542 extension unit.
- ③ Additional keyed construction joint when attaching the SW-542 extension unit.



INSERT
(6 Inch Standard Curb)



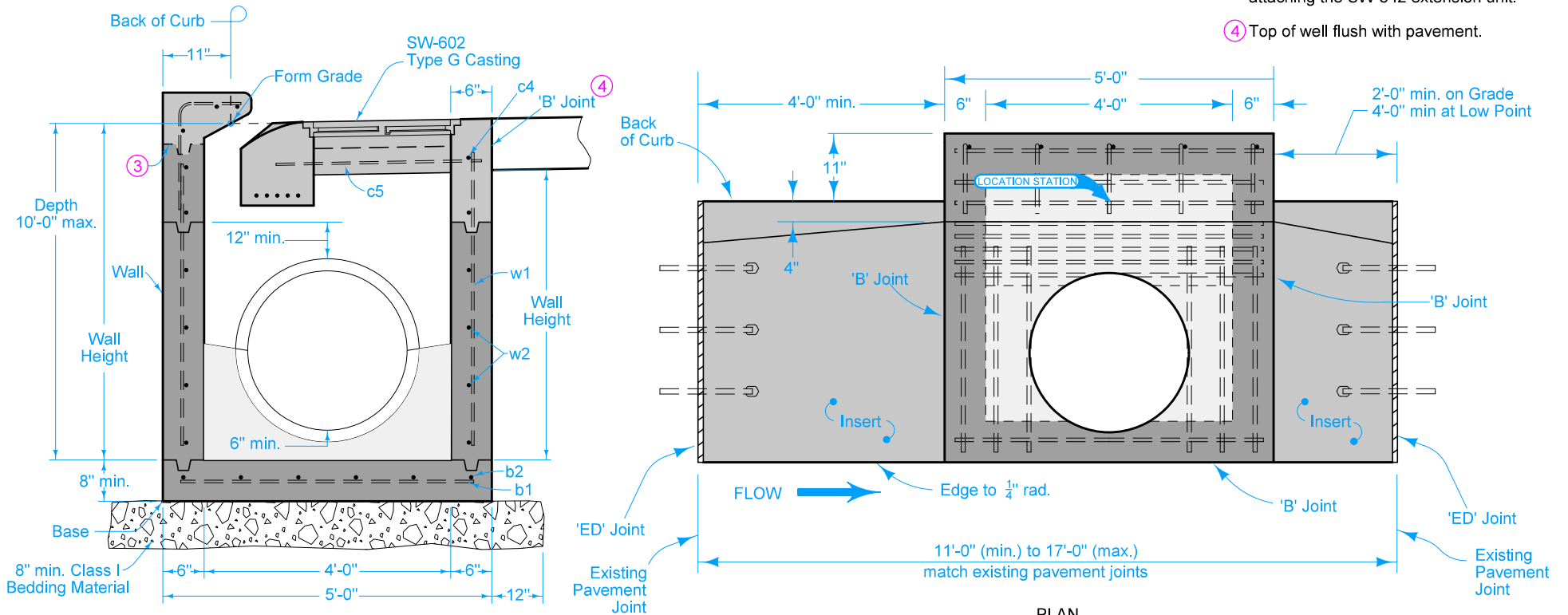
INSERT
(4 Inch Sloped Curb)

		REVISION
		5 04-21-20
FIGURE 6010.541	STANDARD ROAD PLAN	SW-541
		SHEET 1 of 2
<small>REVISIONS: Changed well walls to 6 inch reinforced. Modified TYPICAL SECTION and c1 and c2 bar lengths. Added note 4. Added Class 1 bedding material.</small>		
 SUDAS DIRECTOR		 DESIGN METHODS ENGINEER
OPEN-THROAT CURB INTAKE UNDER PAVEMENT		

For joint details, refer to PV-101.

③ Additional keyed construction joint when attaching the SW-542 extension unit.

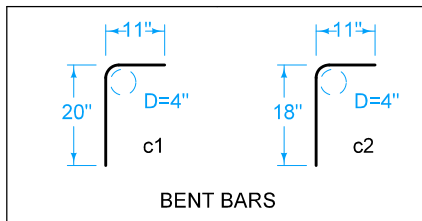
④ Top of well flush with pavement.



TYPICAL SECTION

PLAN

REINFORCING BAR LIST					
Mark	Size	Location	Shape	Length	Spacing
b1	4	Base	—	4'-6"	11"
b2	4	Base	—	4'-6"	11"
w1	4	Wall	—	Wall Height minus 4"	14"
w2	4	Wall	—	4'-8"	12"
c1	4	Top	⌒	2'-7"	14"
c2	4	Top	⌒	2'-5"	14"
c3	4	Top	—	4'-8"	See Detail
c4	4	Top	—	4'-8"	See Detail
c5	4	Top	—	3'-2"	See Detail



BENT BARS

MAXIMUM PIPE DIAMETER	
Precast	30"
Cast-in-Place	36"

SUDAS	IOWADOT	REVISION
		5 04-21-20
FIGURE 6010.541	STANDARD ROAD PLAN	SW-541
		SHEET 2 of 2
<small>REVISIONS: Changed well walls to 6 inch reinforced. Modified TYPICAL SECTION and c1 and c2 bar lengths. Added note 4. Added Class I bedding material.</small>		
Paul D. Weigand SUDAS DIRECTOR		Steve Miller DESIGN METHODS ENGINEER
OPEN-THROAT CURB INTAKE UNDER PAVEMENT		