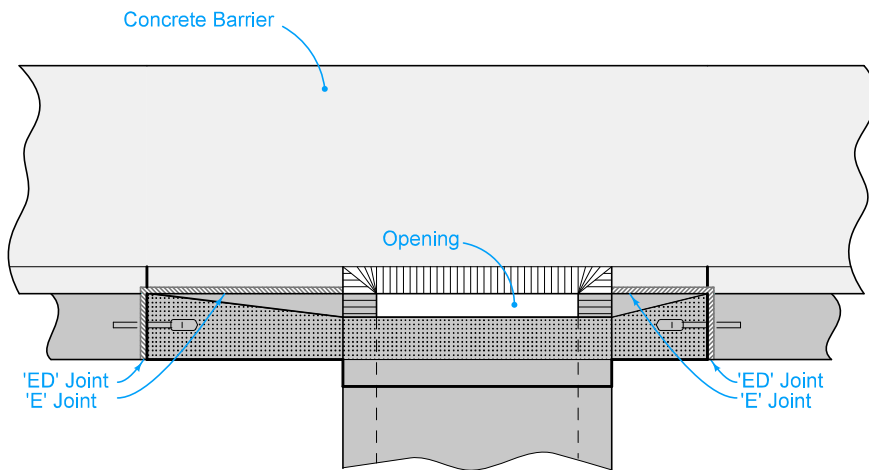


PLAN


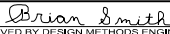


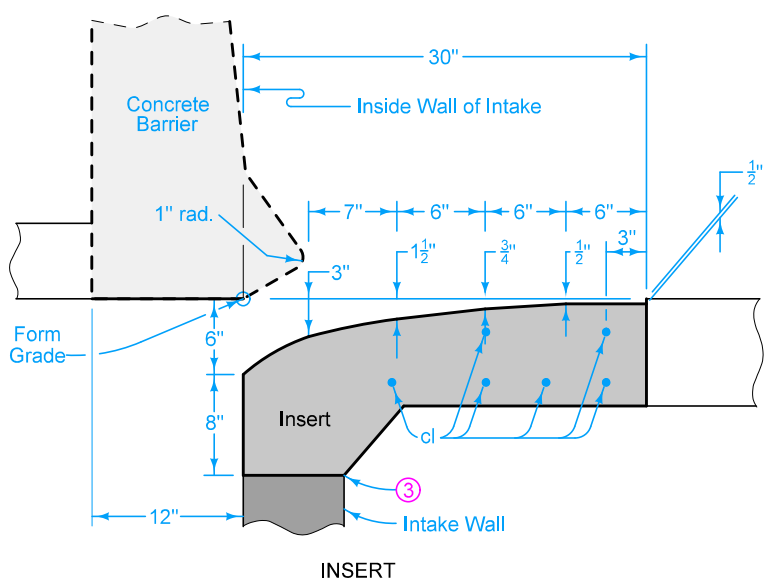
ELEVATION

- ① 'ED' joint. Refer to PV-101 for details.
- ② (6) 1 1/4 inch smooth dowel bars in insert and 6 dowel bars in concrete barrier per installation.

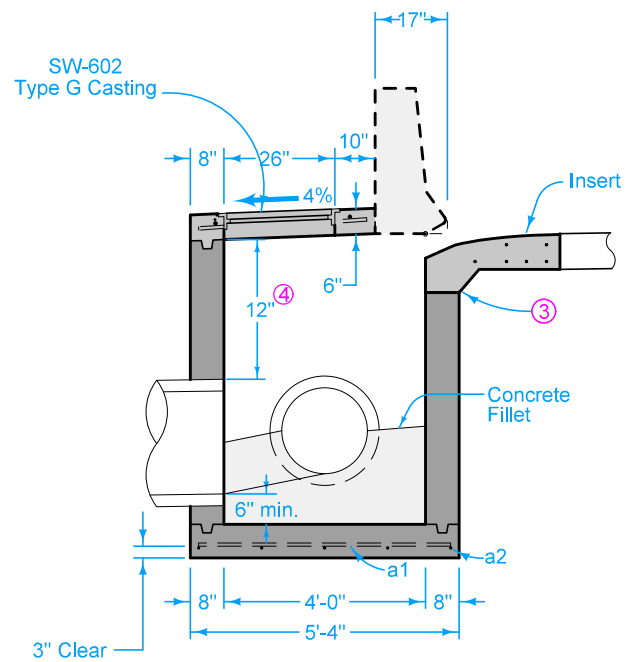
Possible Contract Item:

Intake, SW-546

 STANDARD ROAD PLAN	REVISION 3 04-17-18
	SW-546 SHEET 1 of 2
<small>REVISIONS: Updated line work and Iowa DOT logo. Added concrete wet detail and maximum pipe sizes.</small>	
 <small>APPROVED BY DESIGN METHODS ENGINEER</small>	
SINGLE OPEN-THROAT BARRIER INTAKE	



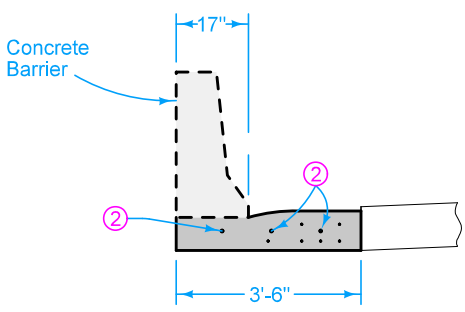
INSERT



TYPICAL SECTION

- ② (6) 1 1/4 inch smooth dowel bars in insert and 6 dowel bars in concrete barrier per installation.
- ③ Trowel smooth and place subgrade paper to prevent bond.
- ④ 12 inch minimum wall height above all pipes

MAXIMUM PIPE DIAMETERS	
Precast Structure	Cast-in-place Structure
30"	36"



SECTION A-A

REINFORCING BAR LIST					
MARK	LOCATION	NO.	LENGTH	WEIGHT	SPACING
a1	Base	5	5'-0"	16.7	15"
a2	Base	5	5'-0"	16.7	15"
b1	Top	3	3'-4"	6.7	See Detail
b2	Top	2	5'-0"	6.7	See Detail
c1	Insert	6	11'-1"	44.4	See Detail
c1	Insert	6	13'-1"	52.4	See Detail
Total				91 lbs. or 99 lbs.	

 STANDARD ROAD PLAN	REVISION 3 04-17-18
	SW-546 SHEET 2 of 2
	REVISIONS: Updated line work and Iowa DOT logo. Added concrete fillet detail and maximum pipe sizes.
<i>Brian Smith</i> APPROVED BY DESIGN METHODS ENGINEER	
SINGLE OPEN-THROAT BARRIER INTAKE	