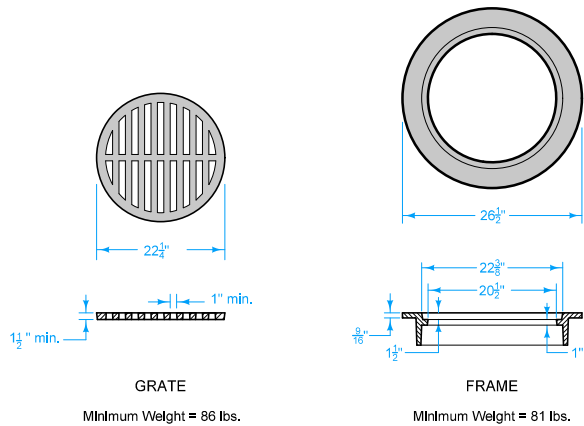


Top of intake may be poured in the field or precast. For precast units, place a 1 inch diameter X 3 inch deep alignment hole 3 inches from each side of the corners of the unit.

- ① Four #6 X 9 inch alignment pins (precast tops only).
- ② Meet the requirements of Article 4151.04 of the Standard Specifications.



|                           |          |               |
|---------------------------|----------|---------------|
| <b>IOWA DOT</b>           | REVISION |               |
|                           | New      | 04-17-18      |
| <b>STANDARD ROAD PLAN</b> |          | <b>SW-563</b> |
|                           |          | SHEET 1 of 2  |

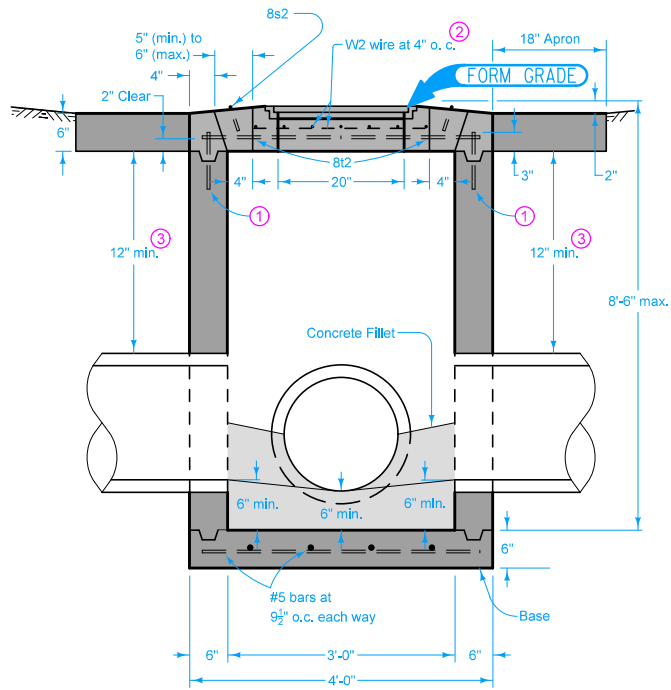
REVISIONS: New.

*Brian Smith*  
APPROVED BY DESIGN METHODS ENGINEER

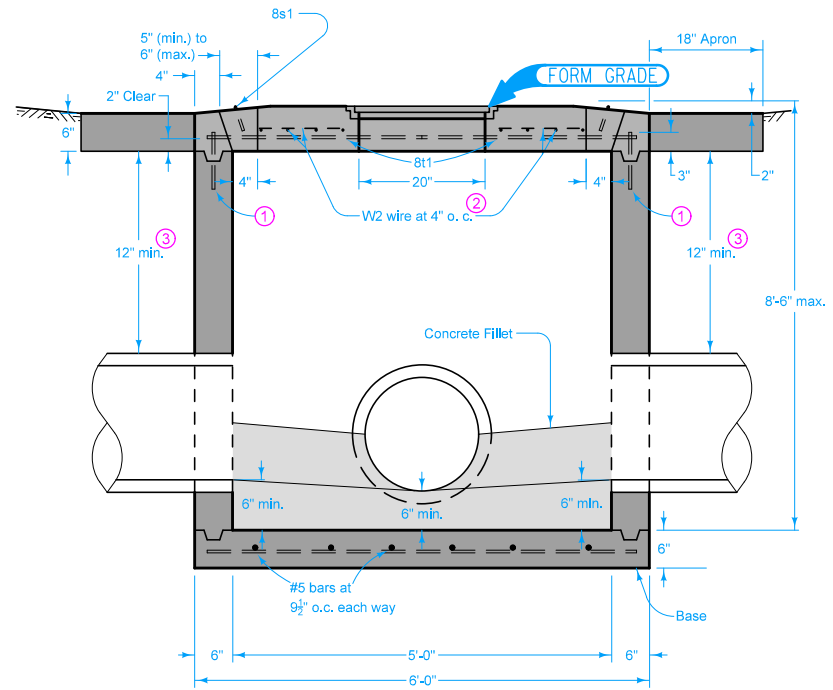
**VERTICAL THROAT AREA INTAKE  
(LARGE BOX)**

Short wall maximum pipe size 18 inches. Long wall maximum pipe size 36 inches.

- ① Four #6 X 9 inch alignment pins (precast tops only).
- ② Meet the requirements of Article 4151.04 of the Standard Specifications.
- ③ 12 inch minimum wall height above all pipes.



SECTION A-A  
(Short Wall)



SECTION B-B  
(Long Wall)

|  |               |
|--|---------------|
| <b>IOWA DOT</b>                                    | REVISION      |
|  | New 04-17-18  |
| <b>STANDARD ROAD PLAN</b>                          | <b>SW-563</b> |
| REVISIONS: New.                                    | SHEET 2 of 2  |
| <i>Brian Smith</i>                                 |               |
| APPROVED BY DESIGN METHODS ENGINEER                |               |
| <b>VERTICAL THROAT AREA INTAKE<br/>(LARGE BOX)</b> |               |