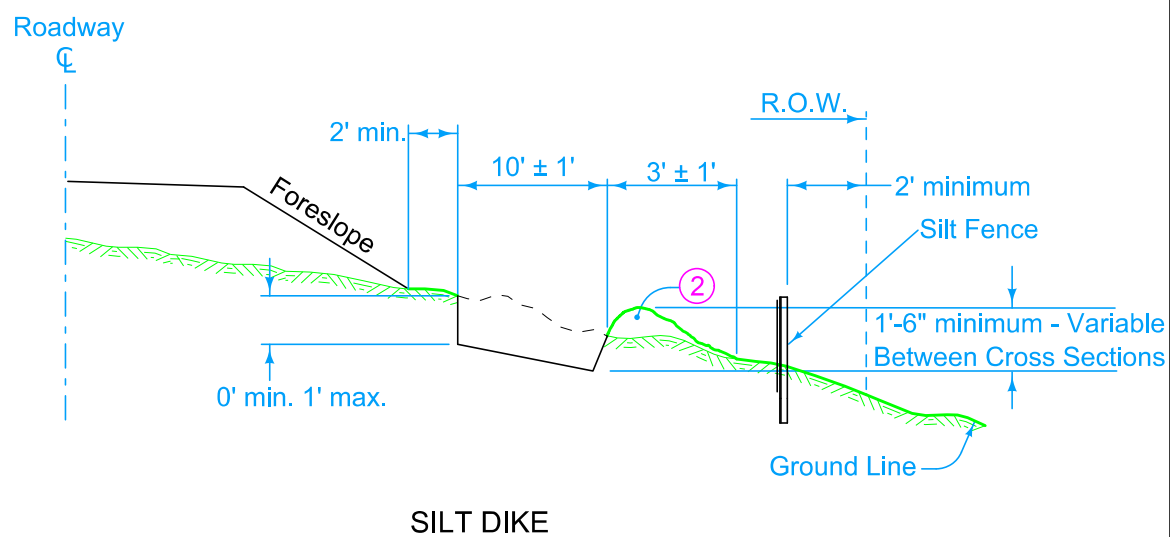
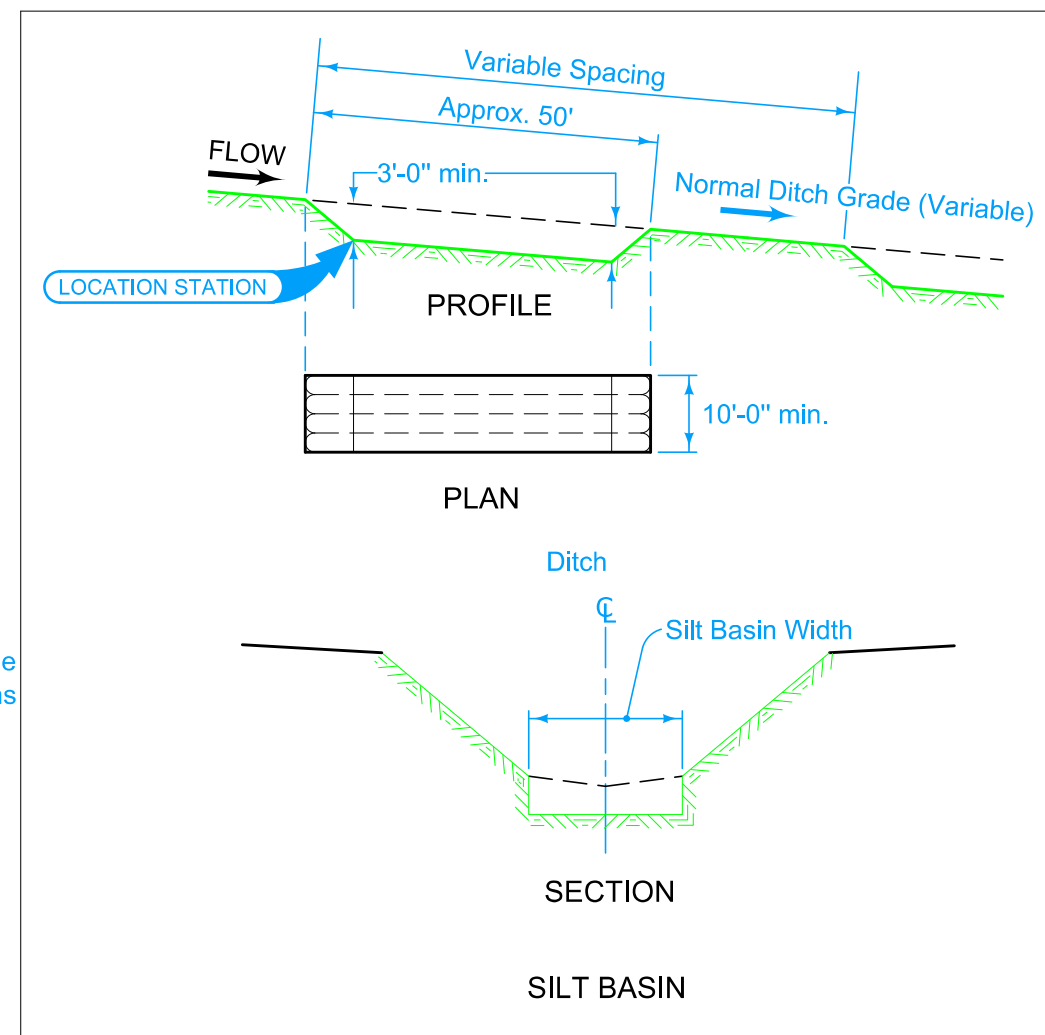
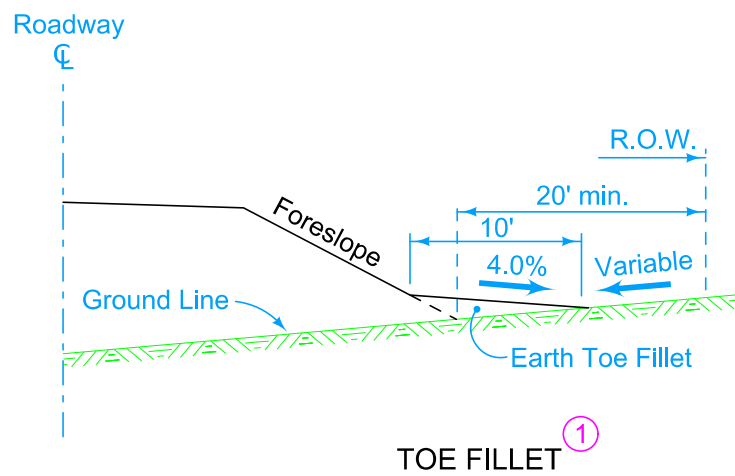
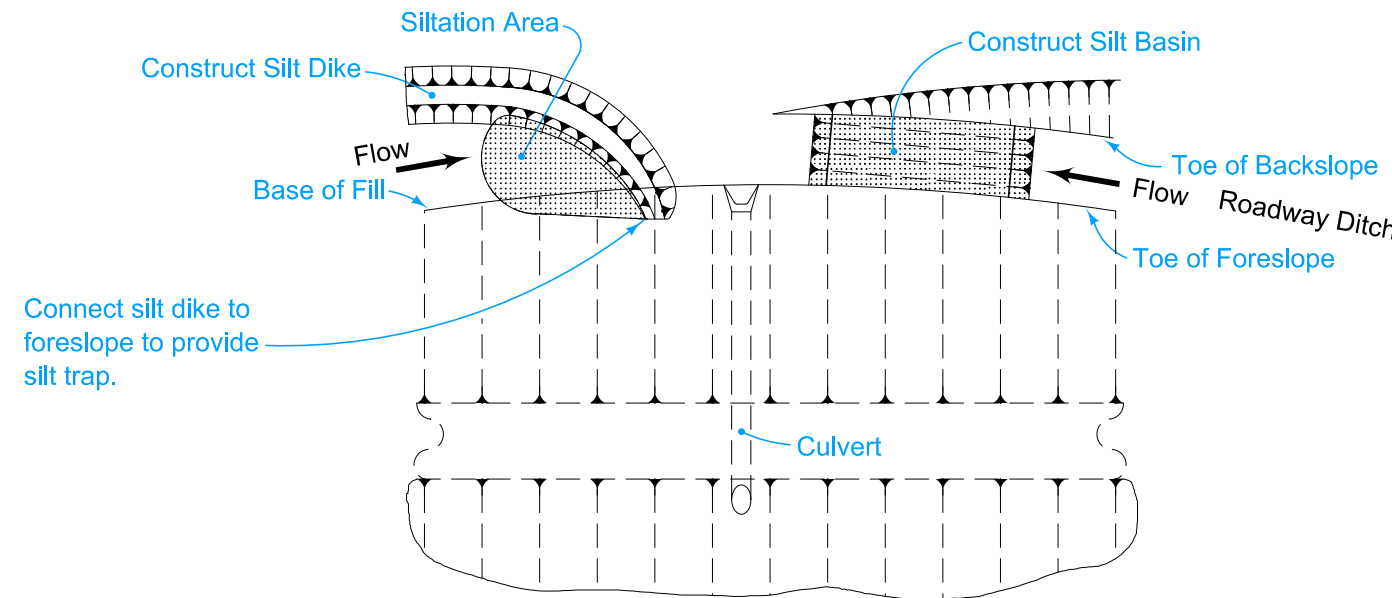
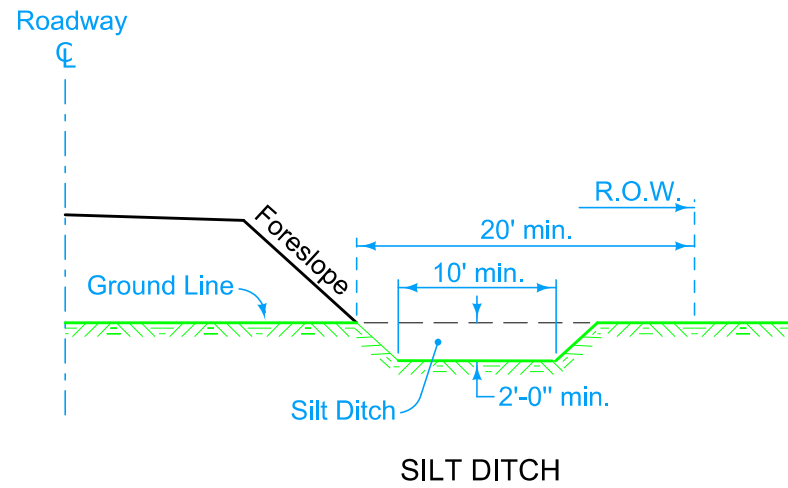


Obtain the Engineer's approval for installation locations.

- ① Construct an earth fillet at the toe of the roadway foreslope for areas where a roadway ditch, silt ditch, or silt dike is not provided. This Toe Fillet is incidental to "Roadway and Borrow Excavation".
- ② Windrow of excavated and compacted silt material or deposited and compacted earth.



Possible Contract Items:

- Silt Ditch
- Silt Dike
- Silt Basin

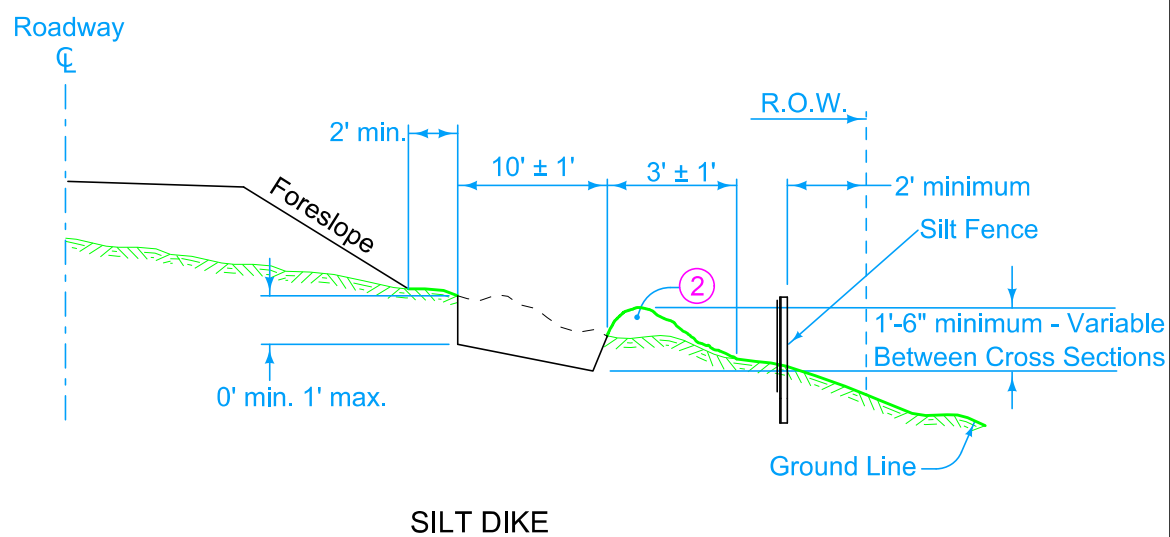
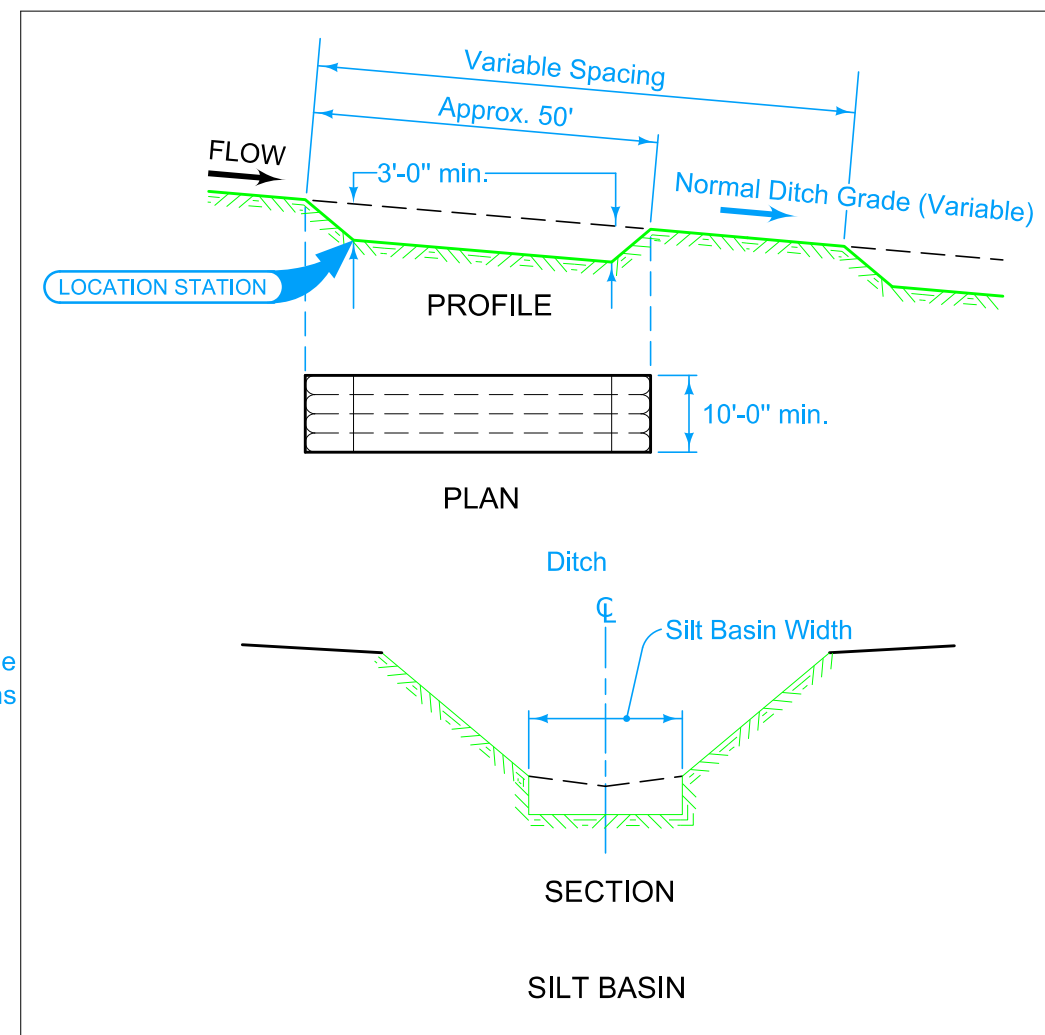
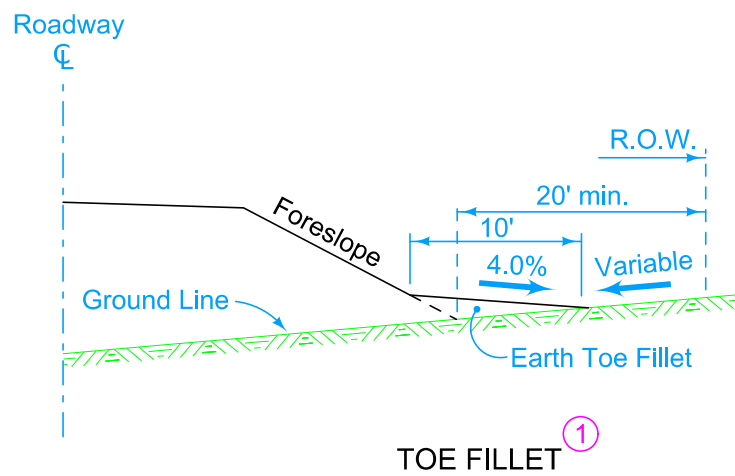
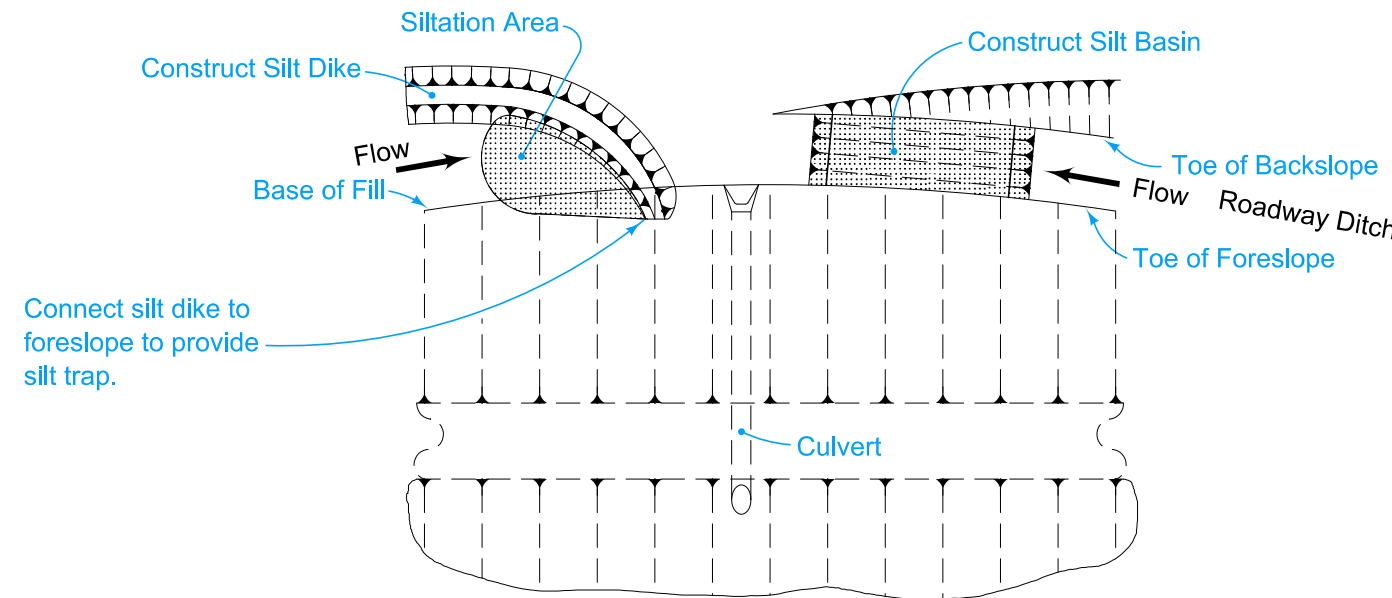
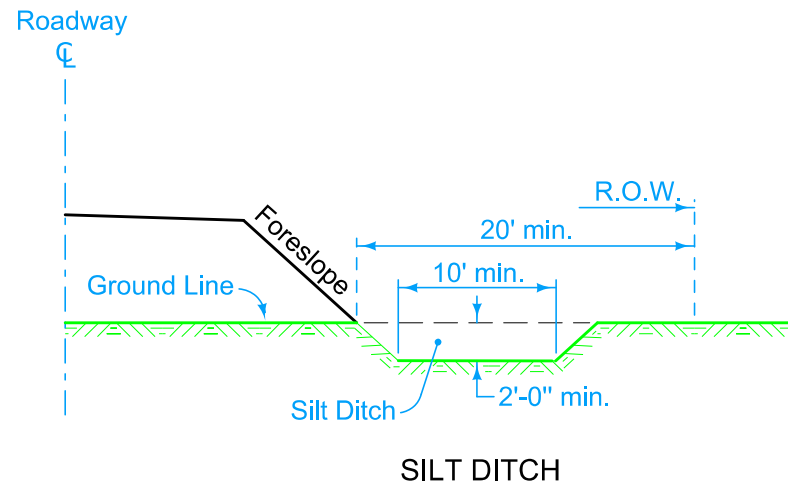
Possible Tabulations:

- 100-13
- 100-14
- 100-15

	REVISION	
	3	04-18-17
STANDARD ROAD PLAN		EW-403
REVISIONS: Added Location Station to Silt Basin view. Added Designer Info button.		SHEET 1 of 1
 APPROVED BY DESIGN METHODS ENGINEER		
TEMPORARY EROSION CONTROL MEASURES		

Obtain the Engineer's approval for installation locations.

- ① Construct an earth fillet at the toe of the roadway foreslope for areas where a roadway ditch, silt ditch, or silt dike is not provided. This Toe Fillet is incidental to "Roadway and Borrow Excavation".
- ② Windrow of excavated and compacted silt material or deposited and compacted earth.



Possible Contract Items:

- Silt Ditch
- Silt Dike
- Silt Basin

Possible Tabulations:

- 100-13
- 100-14
- 100-15

	REVISION	
	3	04-18-17
STANDARD ROAD PLAN		EW-403
REVISIONS: Added Location Station to Silt Basin view. Added Designer Info button.		SHEET 1 of 1
 APPROVED BY DESIGN METHODS ENGINEER		
TEMPORARY EROSION CONTROL MEASURES		