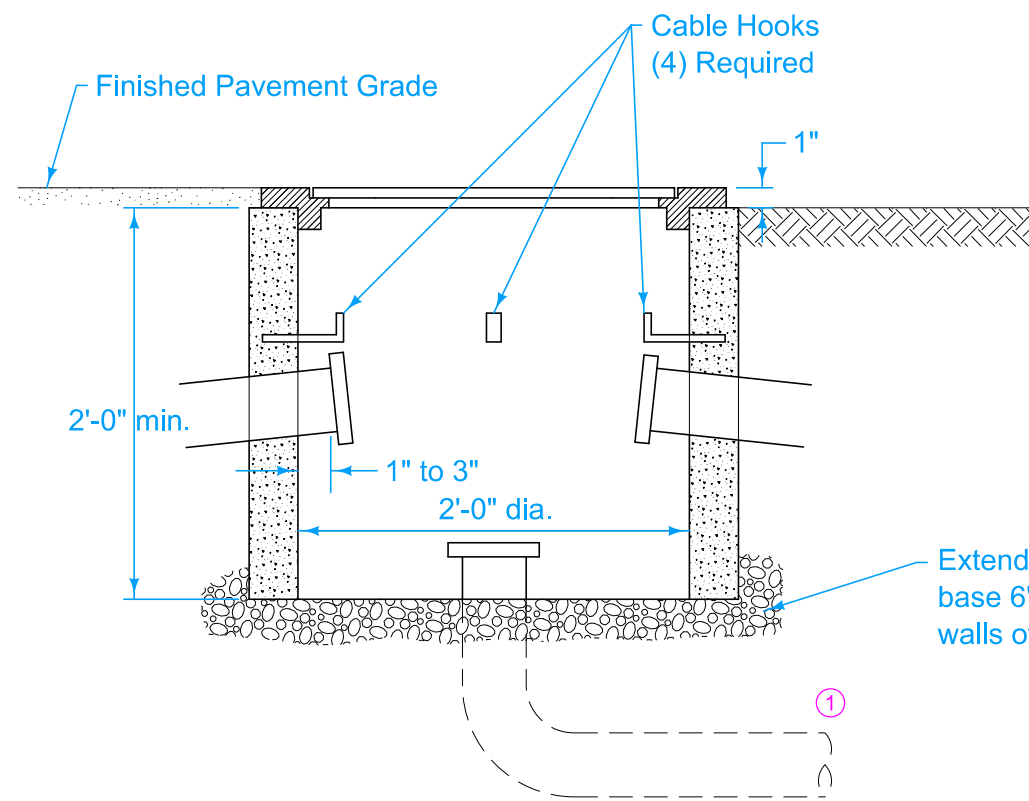
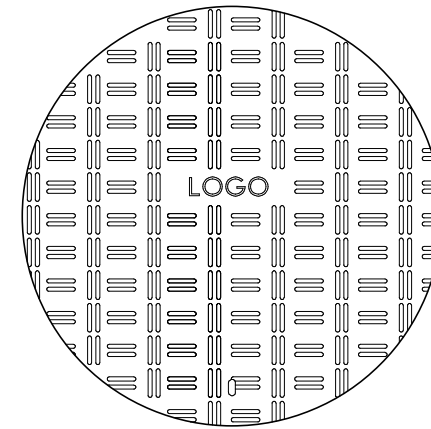
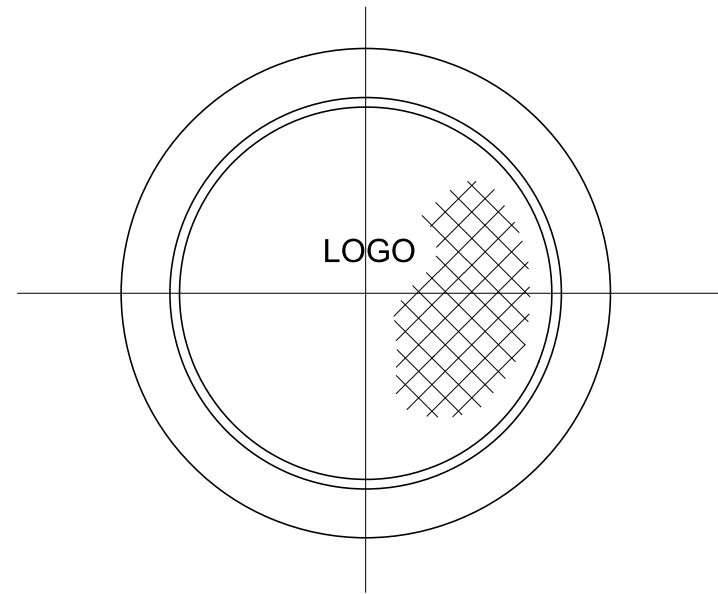
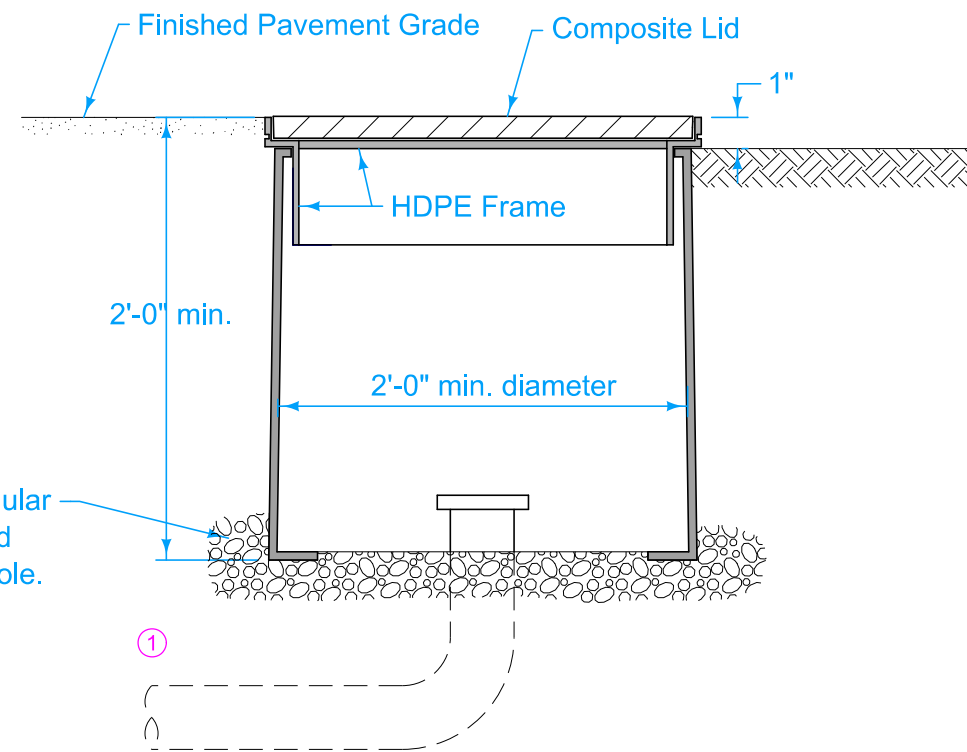


① Potential conduit entry through bottom of handhole.



**PRECAST CONCRETE HANDHOLE (TYPE I)**



**HDPE HANDHOLE (TYPE V)**

FIGURE 8010.103 SHEET 1 OF 2

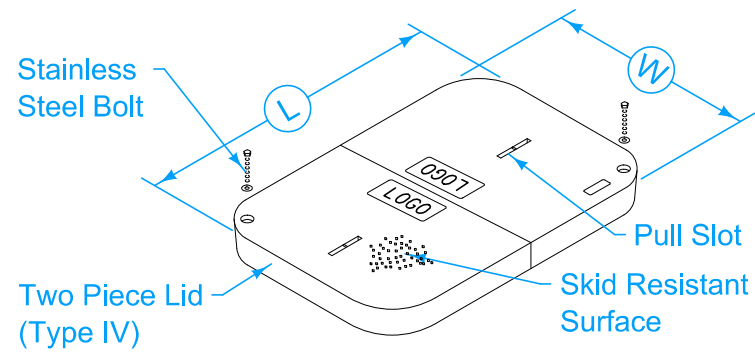
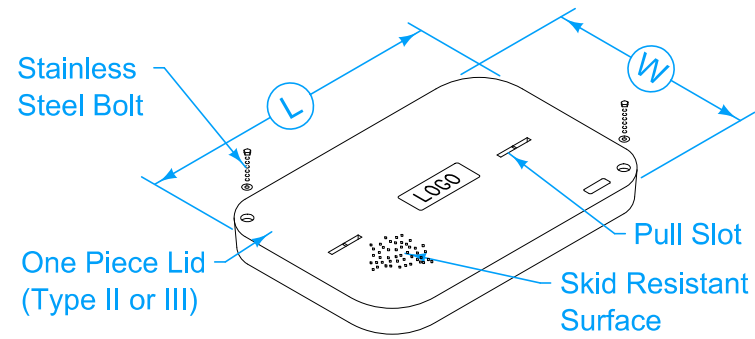
SUDAS	IOWA DOT	REVISION	
		2	04-19-22
FIGURE 8010.103	STANDARD ROAD PLAN	<b>LI-103</b>	
		SHEET 1 of 2	

REVISIONS: Added option for conduit to enter through the bottom of handhole.

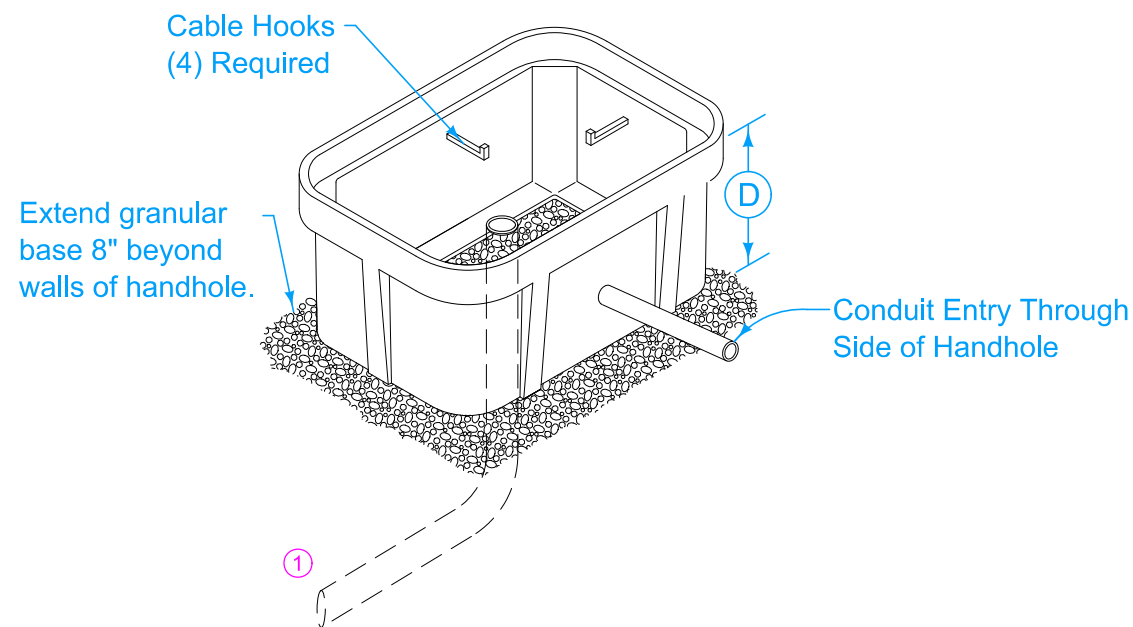
Paul D. Wrigand  
 SUDAS DIRECTOR

Stuart Miller  
 DESIGN METHODS ENGINEER

**CONDUIT AND PRECAST HANDHOLES**

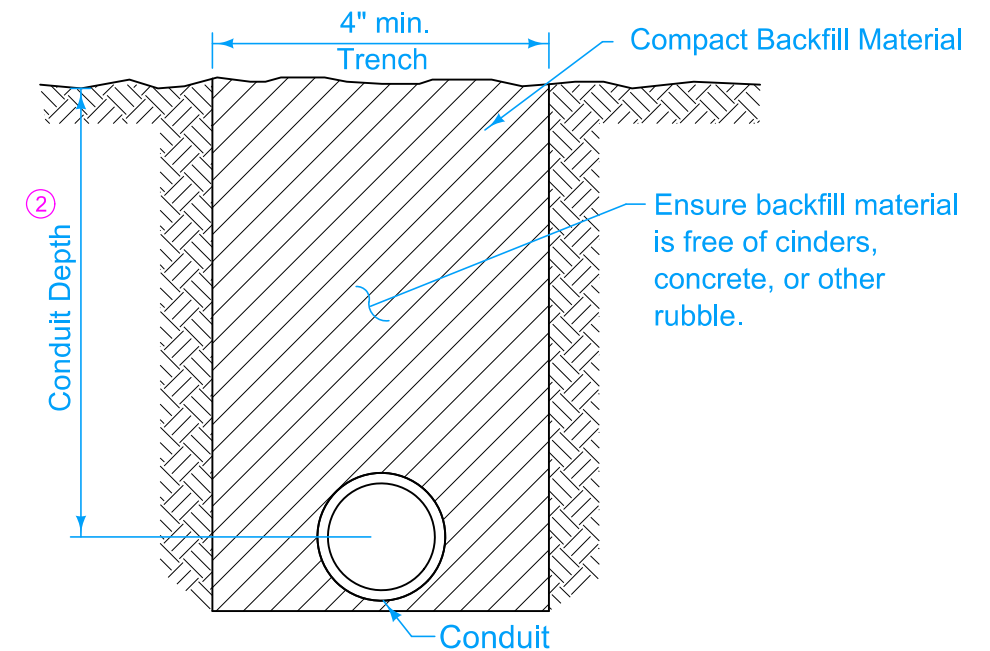


HANDHOLE DIMENSIONS TABLE (NOMINAL)			
TYPE	L	W	D
II	30"	17"	24"
III	36"	24"	30"
IV	48"	30"	36"



**PRECAST CONCRETE COMPOSITE HANDHOLE**

- ① Potential conduit entry through bottom of handhole.
- ② For conduit behind curb, place 24 to 48 inches below top of curb. For conduit under roadway, place 30 to 60 inches below the gutterline.



**CONDUIT IN TRENCH**

SUDAS	IOWA DOT	REVISION	
		2	04-19-22
FIGURE 8010.103	STANDARD ROAD PLAN	<b>LI-103</b>	
		SHEET 2 of 2	

REVISIONS: Added option for conduit to enter through the bottom of handhole.

Paul D. Wiegand  
 SUDAS DIRECTOR

Stuart Miller  
 DESIGN METHODS ENGINEER