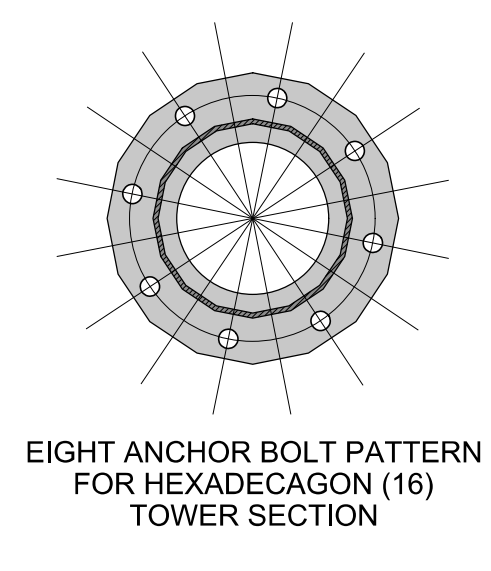
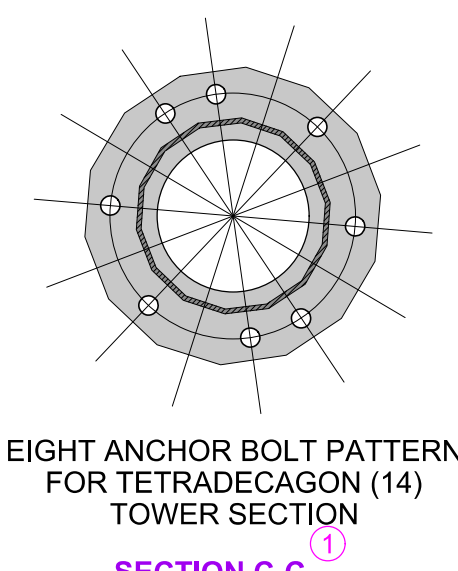
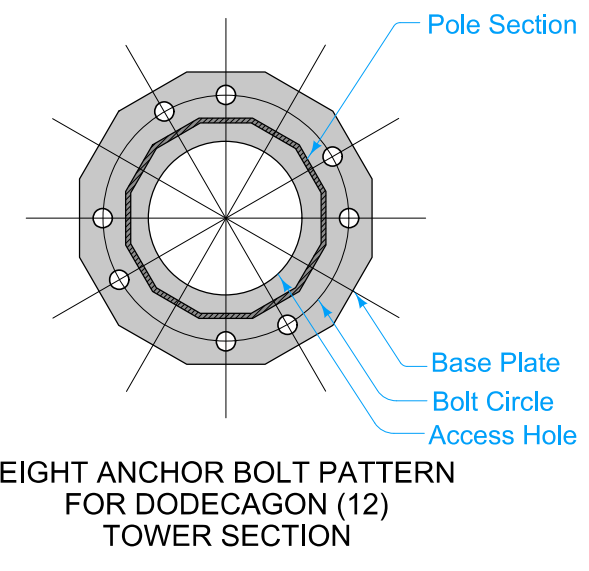
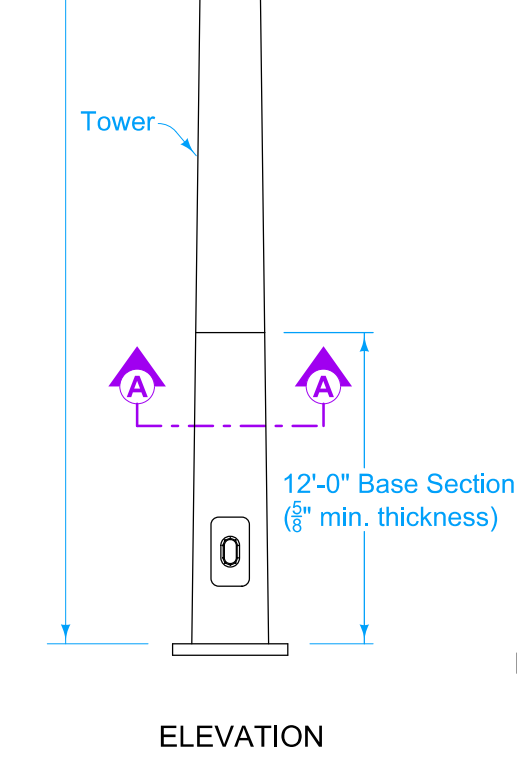
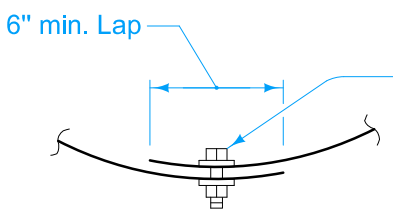
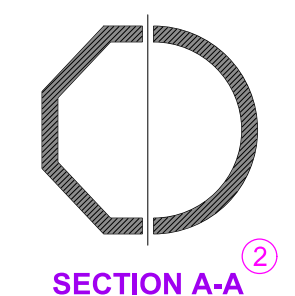


- ① Place a minimum of eight anchor bolts for all towers. Place bolts as shown in Section C-C.
- ② Tower may be fabricated with circular or polygonal cross-section.
- ③ Furnish wire fabric material to complying with Materials I.M. 443.01. Place wire fabric around base plate and extended to the concrete foundation. Fit fabric tight to the edge of the base plate and to the top surface of foundation to prevent rodent entry.
- ④ Provide two handles on cover plate. Project cover plate beyond the hole at least 1 inch in all directions.
- ⑤ Use Anchor Bolt material meeting the requirements of Materials I.M. 453.08.
- ⑥ Seal joints using a brown or colorless non-sag urethane caulking sealer marketed for outdoor use as approved by the Engineer.
- ⑦ Continuous backing ring or backing ring made continuous by a complete joint penetration weld.



SECTION C-C ①

SECTION B-B
(Anchor Bolts not shown for clarity)

WIRE FABRIC CLOSURE ③

SECTION A-A ②

Possible Contract Item:
Lighting Tower

	REVISION	
	1	04-19-16
STANDARD ROAD PLAN		LI-110
		SHEET 1 of 1
REVISIONS: Removed venting and caulking requirements for Doubler Plate. Changed on-sag urethane caulking from light grey to brown or colorless.		
 APPROVED BY DESIGN METHODS ENGINEER		
LIGHTING TOWER		