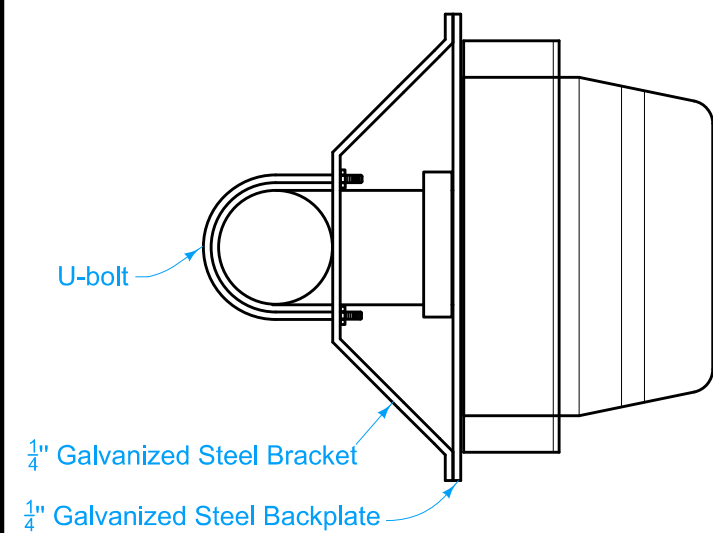
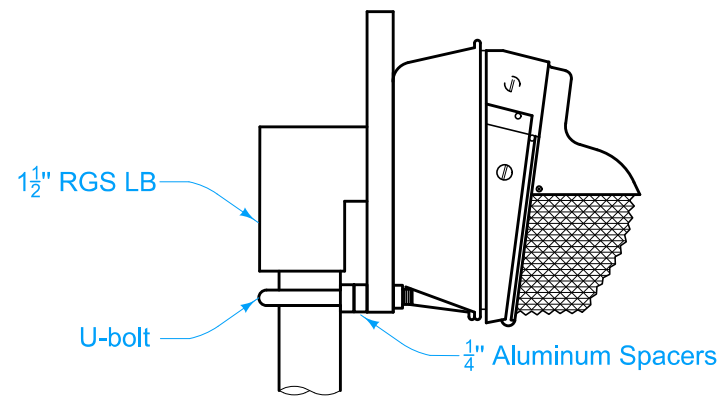


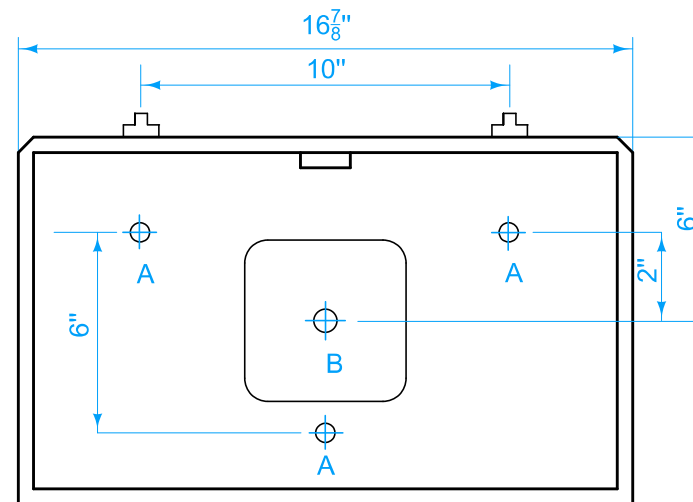
CASE A
TOP MOUNTED



SECTION A-A

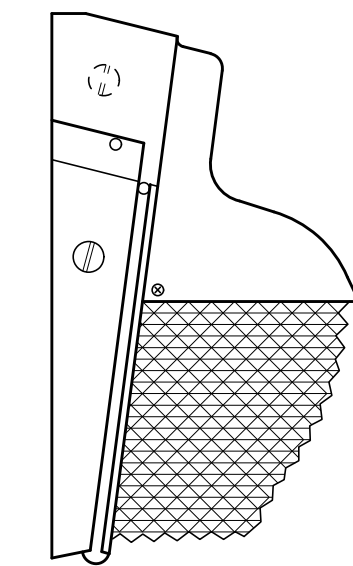


CASE B
STANCHION MOUNTED



HOLE	DESCRIPTION
A	7/16" (Min.) Mounting Hole
B	Entry for 1 1/2" conduit

SIMPLIFIED BACK VIEW



CASE C
WALL MOUNTED

Alternate designs may be submitted to the Engineer for approval.

Furnish luminaires that provide ballast housings to be attached to, or integral with, luminaire housings.

LAYOUT LEGEND	
Underdeck Lighting	■

Possible Contract Item:
Underdeck Lighting

	REVISION
	New 10-21-14
STANDARD ROAD PLAN	LI-120
REVISIONS: New, Replaces RM-41.	SHEET 1 of 1
 APPROVED BY DESIGN METHODS ENGINEER	

UNDERDECK LIGHTING