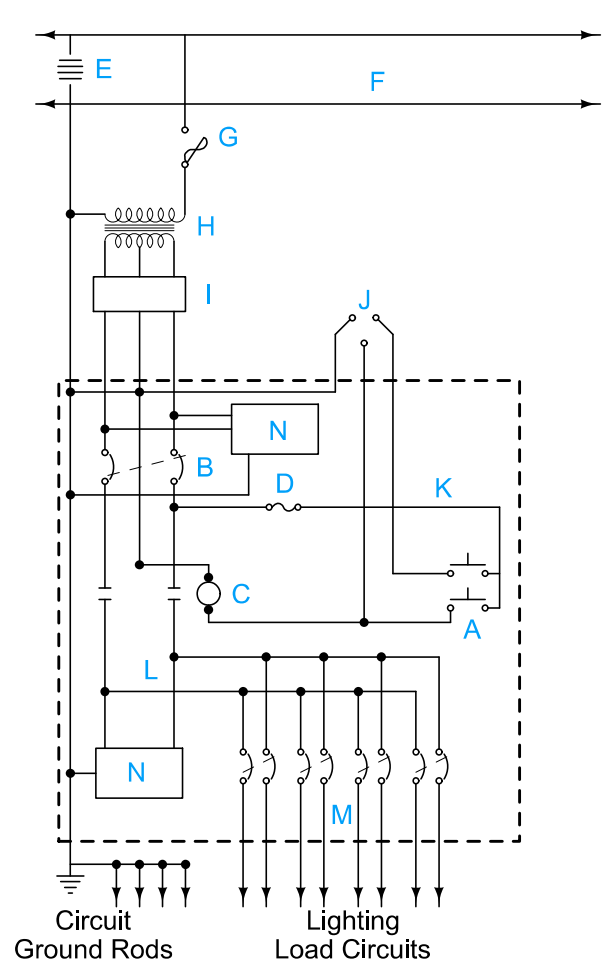
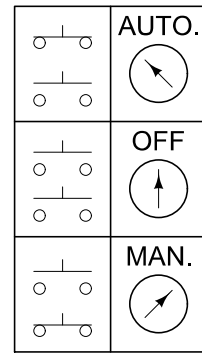


- A. Test Switch
- B. Line Breaker
- C. Contactor
- D. Control Fuse
- E. Lightning Arrestor
- F. Primary Line
- G. Primary Fused Cutout
- H. Distribution Transformer
- I. Meter
- J. Photoelectric Control
- K. Control Circuits
- L. Line Circuits
- M. Branch Circuit Breakers
- N. Surge Protection Device

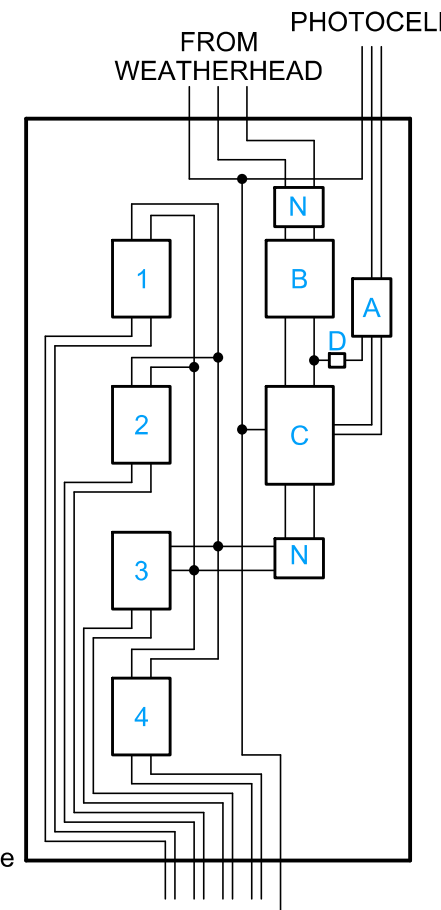


SCHEMATIC DIAGRAM



SWITCH OPERATION

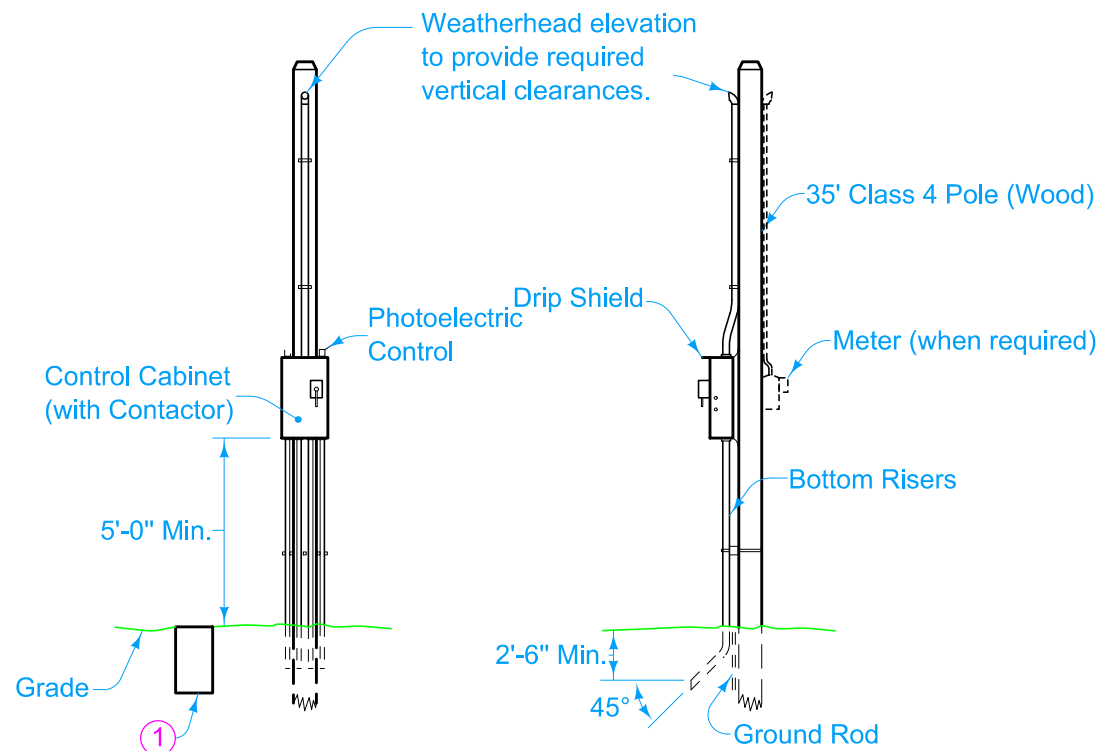
- A. Test Switch
- B. Line Breaker (2P.)
- C. Contactor (2P.)
- D. Control Fuse
- 1 thru 4. Branch Circuit Breakers (2P.)
- N. Surge Protection Device



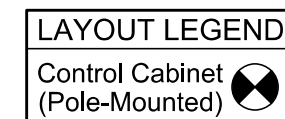
TO LIGHTING CIRCUITS AND GROUND RODS  
CONTROL PANEL WIRING DIAGRAM

Alternate designs may be submitted to the Engineer for approval.

① Locate handholes where shown on plans, as well as where control cabinets are at low points in the conduit system, which could result in the low points becoming flooded with water entering at other points in the conduit system.



TYPICAL INSTALLATION



Possible Contract Item:  
Control Cabinet

	REVISION	
	New	10-21-14
STANDARD ROAD PLAN		LI-151
REVISIONS: New. Replaces RM-35.		SHEET 1 of 1

*Steve Miller*  
APPROVED BY DESIGN METHODS ENGINEER

**CONTROL CABINET  
(POLE-MOUNTED)**