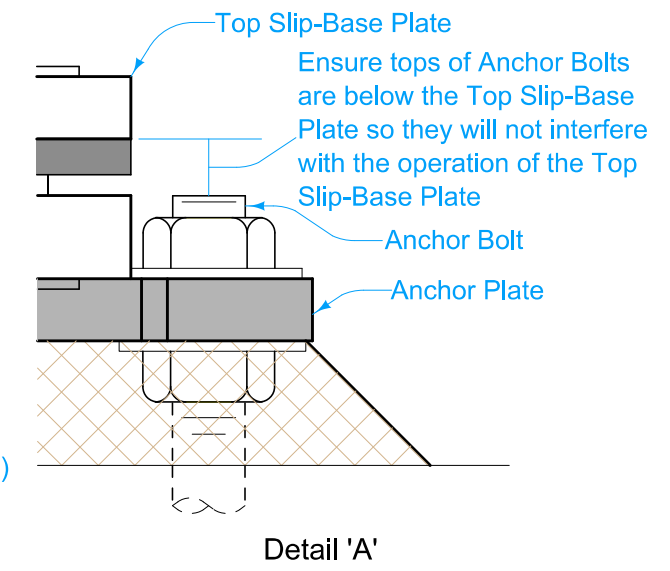


- ① Ensure the top Slip-Base Plate clears all Anchor Bolts.
- ② Furnish wire fabric material complying with Materials I.M. 443.01. Place wire fabric around anchor bolt circle between concrete foundation and base plate. Fit the fabric tight to the bottom surface of the base plate and the top surface of the foundation to prevent rodent entry.
- ③ Refer to LI-201 for foundation details.
- ④ Torque to 1000 in. lbs.

LIST OF FASTENER HARDWARE
 1" anchor bolts: 3 total.
 1" x 4½" bolts for slip-base: 3 total.
 Plate washers: 6 total; 3 top plate and 3 bottom plate.
 Circular washers: 9 total; 3 middle washers, 3 washers for leveling nuts, and 3 washers for anchor bolt nuts.
 Lock washers: 3 total.
 Nuts: 9 total; 3 leveling nuts, 3 nuts for anchor bolts, and 3 nuts for slip-base bolts.

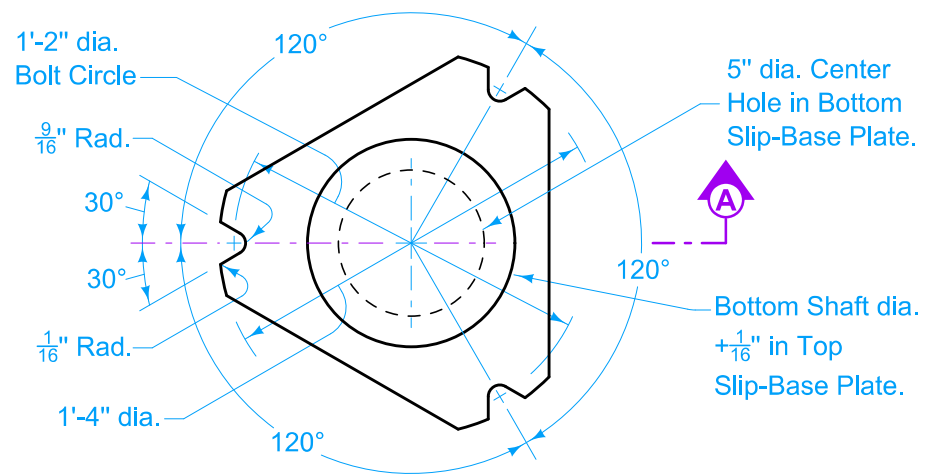


 STANDARD ROAD PLAN	REVISION
	1 10-20-15
	LI-211 SHEET 1 of 2

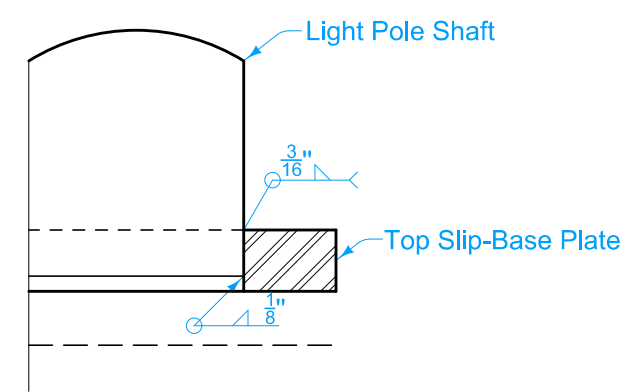
REVISIONS: Switched anchor plate and slip-base call outs in PLAN view on Sheet 1. Removed lock washers.

Stuart Miller
 APPROVED BY DESIGN METHODS ENGINEER

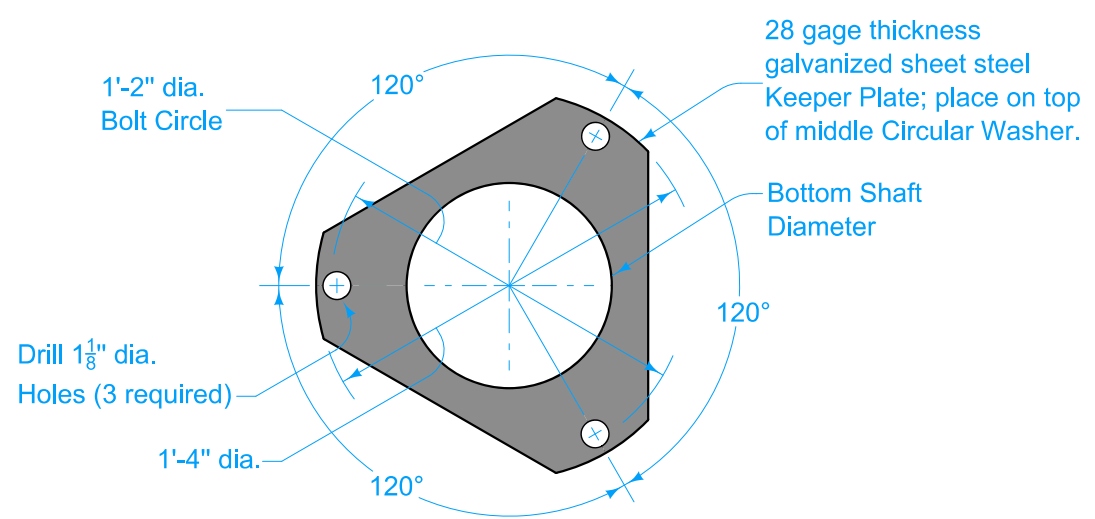
SLIP-BASE FOR LIGHT POLES



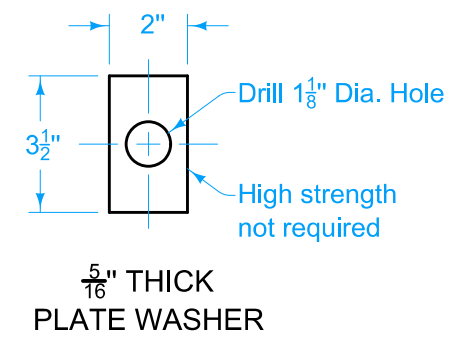
SLIP-BASE PLATE



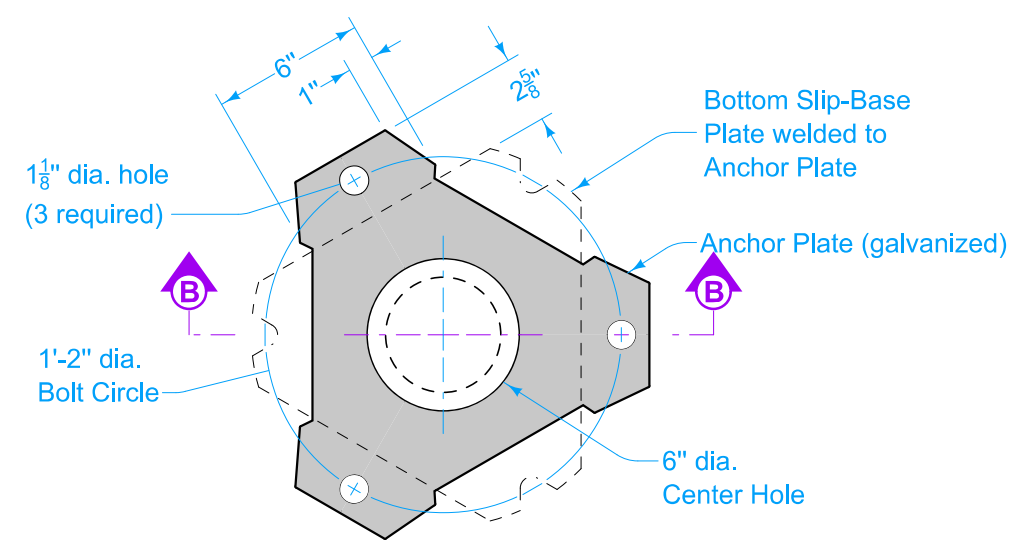
TYPICAL HALF SECTION 'A'
(Top Slip-Base Plate)



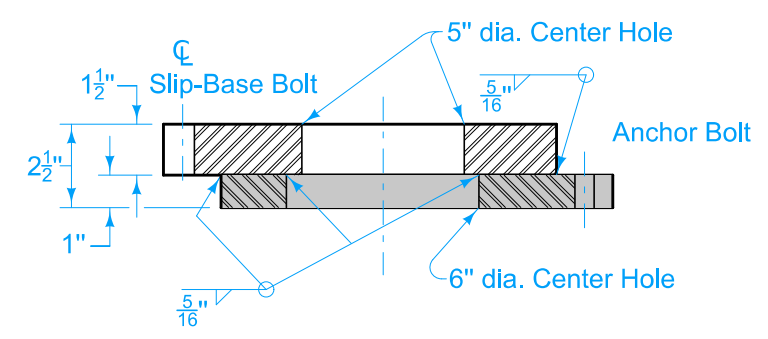
KEEPER PLATE



5/16" THICK
PLATE WASHER



ANCHOR PLATE



SECTION B-B
ANCHOR PLATE

 STANDARD ROAD PLAN	REVISION	
	1	10-20-15
	LI-211 SHEET 2 of 2	

REVISIONS: Switched anchor plate and slip-base call outs in PLAN view on Sheet 1. Removed lock washers.

Shawn Miller
 APPROVED BY DESIGN METHODS ENGINEER

SLIP-BASE FOR LIGHT POLES