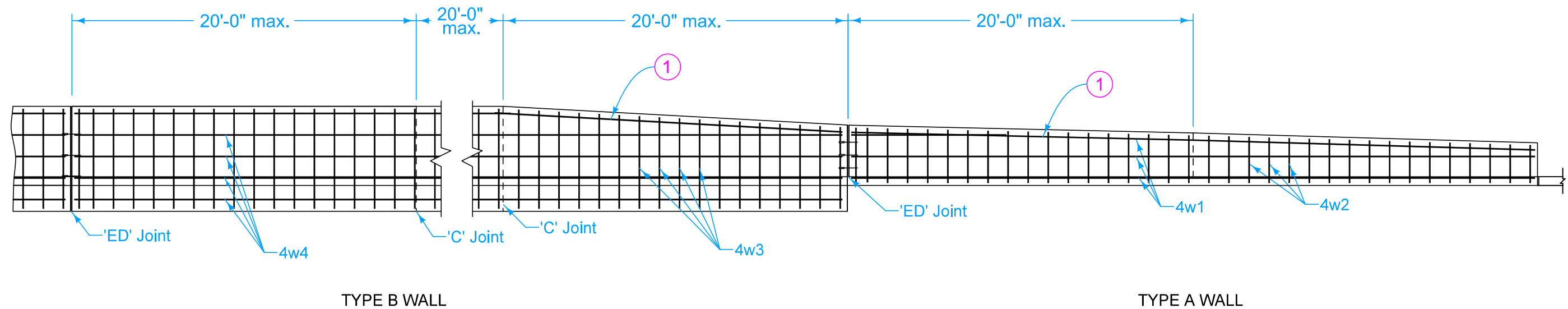
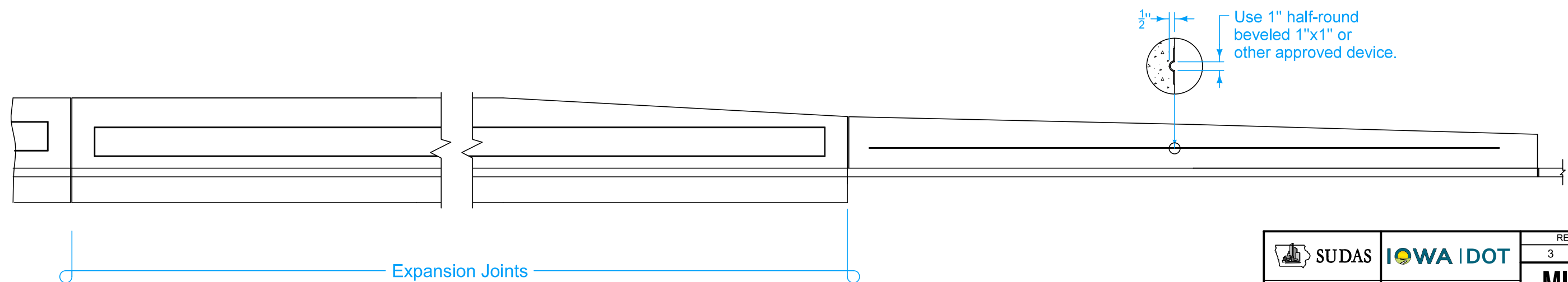


Provide a minimum concrete cover to near reinforcement of 1 1/2 inches. Provide 3 inches minimum cover at the ends of bars.

- ① Top bar parallel to top of wall. Lap 6 inch minimum as necessary. Tie securely.



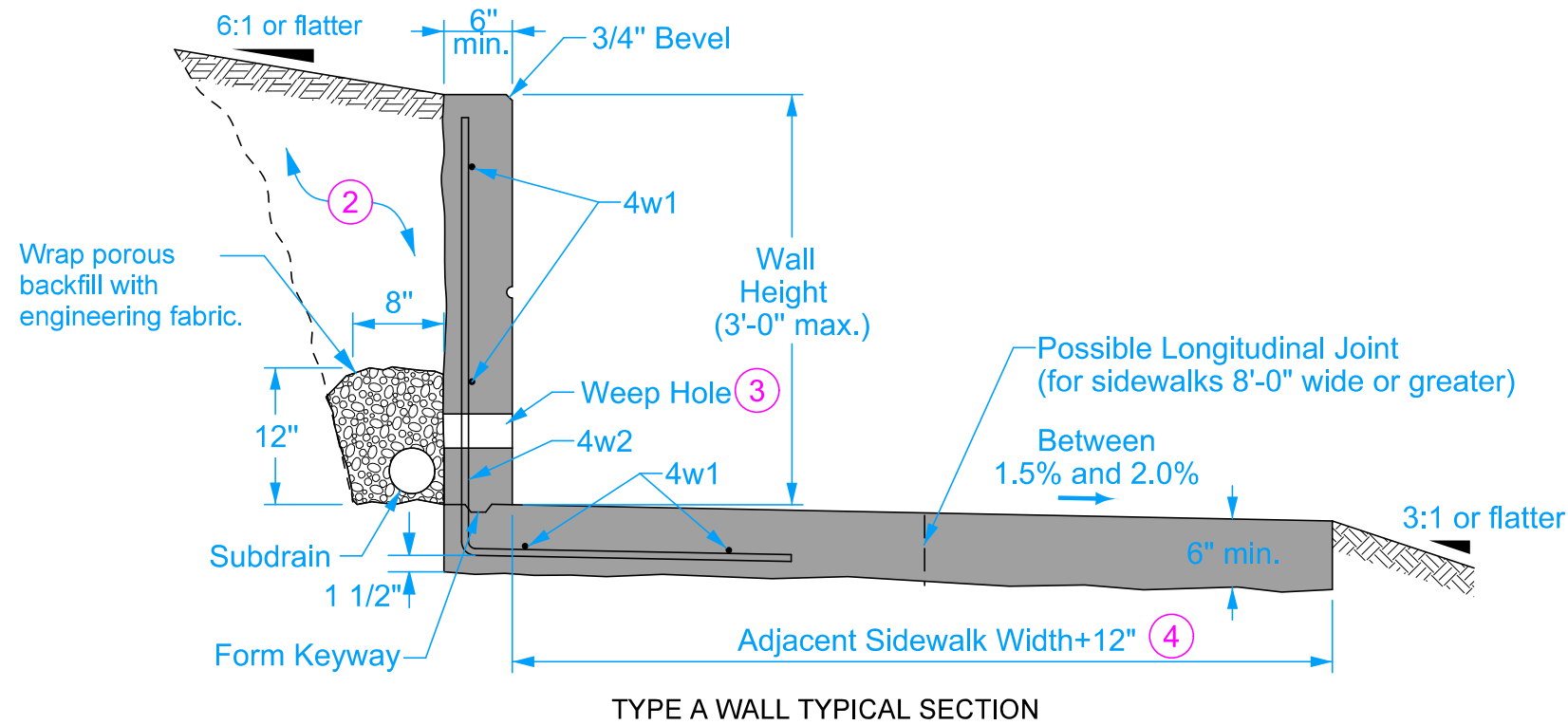
TYPICAL LONGITUDINAL SECTION OF RETAINING WALL



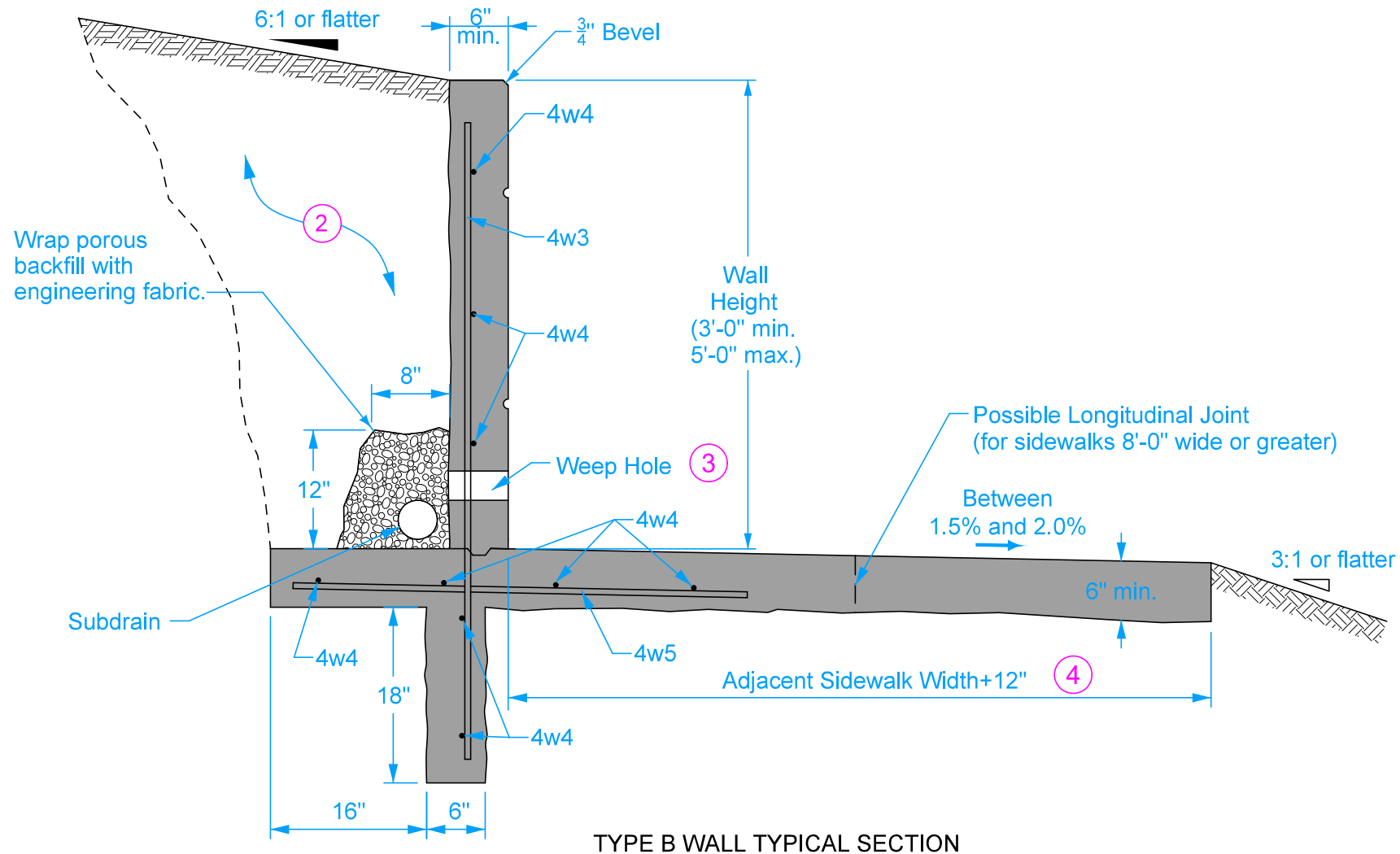
TYPICAL RUSTICATION DETAIL

FIGURE 9072.221 SHEET 1 OF 2

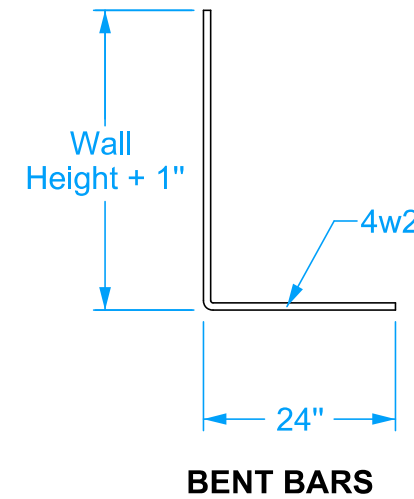
SUDAS	IOWA IDOT	REVISION	
		3	04-15-25
FIGURE 9072.221	STANDARD ROAD PLAN	MI-221	
		SHEET 1 of 2	
REVISIONS: Added 1.5 inch clearance dimension on type "A" wall, "L" bar.			
 SUDAS DIRECTOR		 DESIGN METHODS ENGINEER	
COMBINED RETAINING WALL - SIDEWALK			



TYPE A WALL TYPICAL SECTION



TYPE B WALL TYPICAL SECTION



REINFORCING BAR LIST					
Wall Type	Mark	Size	Shape	Length	Spacing
Type A	4w1	4	—	Variable	15"
	4w2	4	L	Variable	14"
Type B	4w3	4	—	Wall Height + 18"	14"
	4w4	4	—	Variable	15"
	4w5	4	—	3'-10"	14"

Provide a minimum concrete cover to near reinforcement of 1 1/2 inches. Provide 3 inches minimum cover at the ends of bars.

- ② Excavate and place backfill material as necessary.
- ③ Provide 3 inch diameter weep holes at 8 foot intervals. Install rodent guards in weep holes. Align bottom of weep hole with top of subdrain.
- ④ Additional 12 inch width is adjacent to wall.

SUDAS IOWA IDOT FIGURE 9072.221 STANDARD ROAD PLAN	REVISION 3 04-15-25	
	MI-221 SHEET 1 of 2	
REVISIONS: Added 1.5 inch clearance dimension on type "A" wall, "L" bar.		
 SUDAS DIRECTOR	 DESIGN METHODS ENGINEER	
COMBINED RETAINING WALL - SIDEWALK		