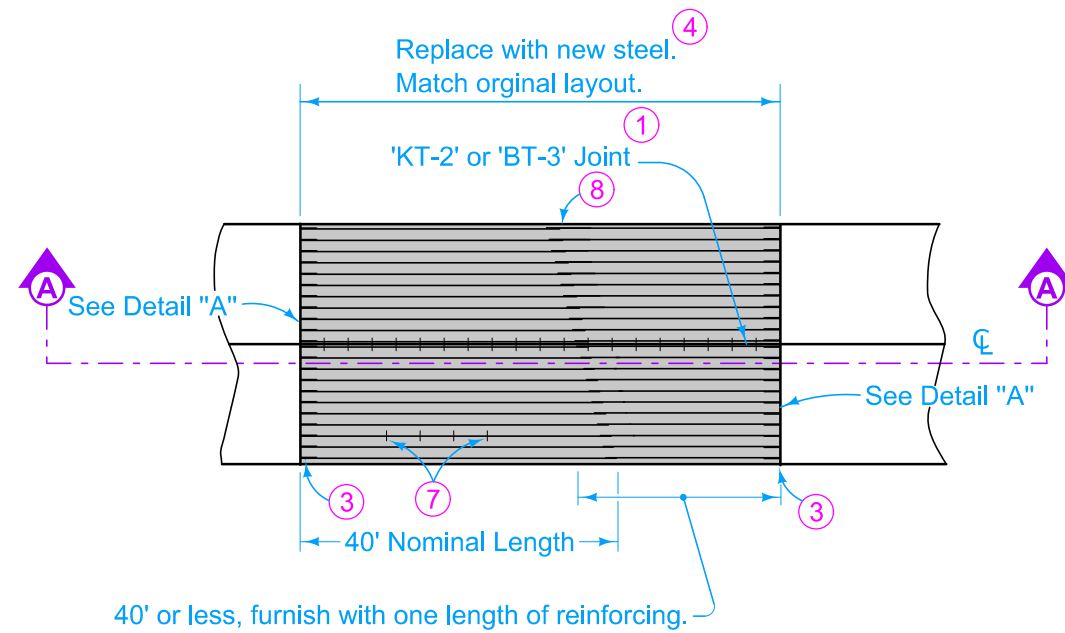
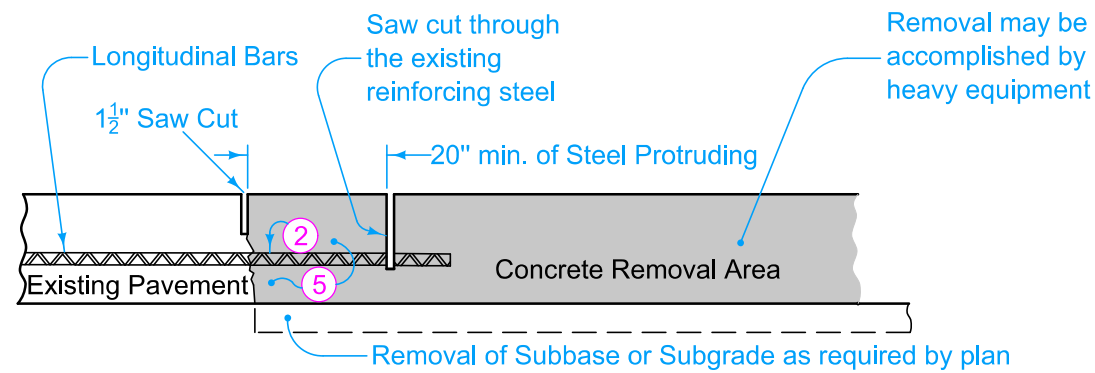


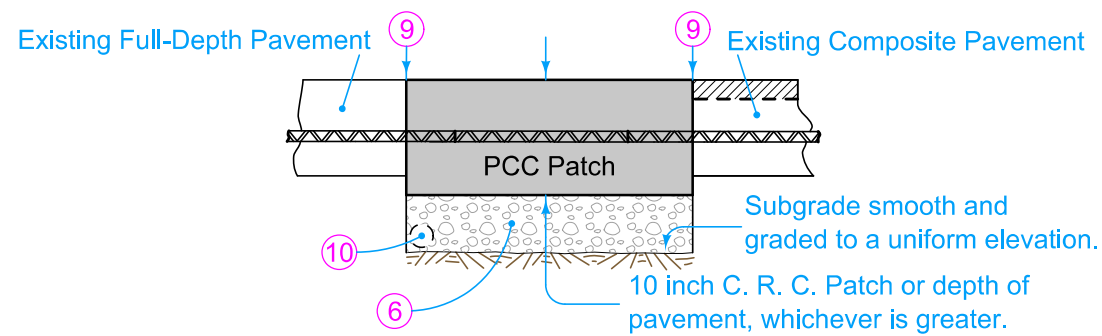
ONE LANE WIDTH PATCH



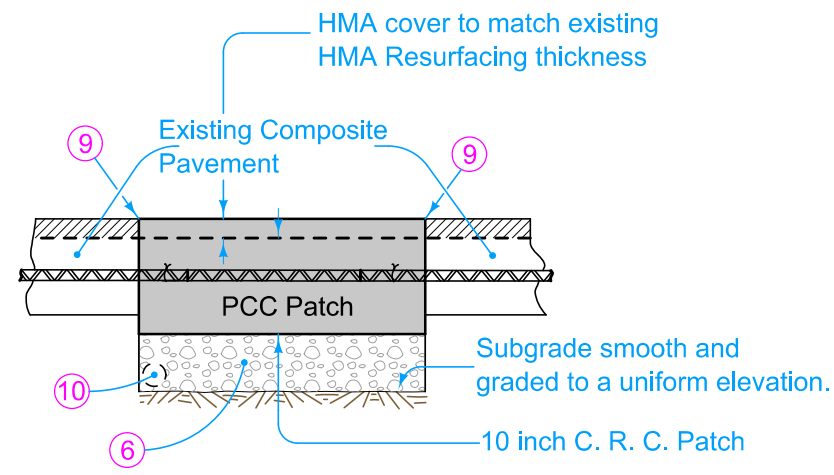
FULL ROADWAY WIDTH PATCH



DETAIL "A"
PAVEMENT REMOVAL DETAILS LONGITUDINAL SECTION



SECTION A-A
PCC ONLY PATCH OPTION



SECTION A-A
COMPOSITE PATCH OPTION

- ① If patch is over 10 feet in length, replace tie bars. See PV-101 for joint details.
- ② Exercise care to preserve the 20 inch length of longitudinal steel when removing concrete.
- ③ 18 inch minimum lap between existing and new reinforcing bars 2 wire ties per lap.
- ④ Minimum length of patch is 8 feet.
- ⑤ Break and remove pavement area to ensure vertical face with minimal undercut or protrusion.
- ⑥ Possible Subdrain Patch, see PR-140.
- ⑦ Place longitudinal bars at approximately midpoint of the slab and support at approximately 4 foot intervals.
- ⑧ Lap bars 25 diameters of steel or 24 inch minimum for mesh. For patches 8 feet to 40 feet, no intermediate lap joint required. For patches over 40 feet in length, lap joint as required to not exceed 40 feet spacing.
- ⑨ Do not saw or seal the joint after patch is placed.
- ⑩ If longitudinal subdrain (shoulder) is not to be placed or if it is not present on side of roadway to be patched, then place drain per PR-140.

Possible Contract Items:

- Patches by Count (Repair)
- Patches, Full-Depth Finish, by Count
- Patches, Full-Depth Repair
- Patches, Full-Depth Finish, by Area
- Patches, Full-Depth Finish, by Area (50 feet or greater in length)

Possible Tabulation:
102-6C

	REVISION	
	New	10-21-14
STANDARD ROAD PLAN		PR-104
REVISIONS: New. Replaces RR-18.		SHEET 1 of 1
 APPROVED BY DESIGN METHODS ENGINEER		
FULL DEPTH PATCH CONTINUOUS REINFORCED PCC PAVEMENT		