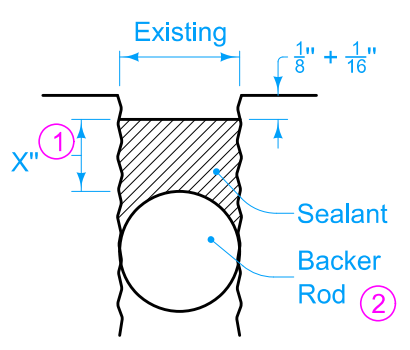
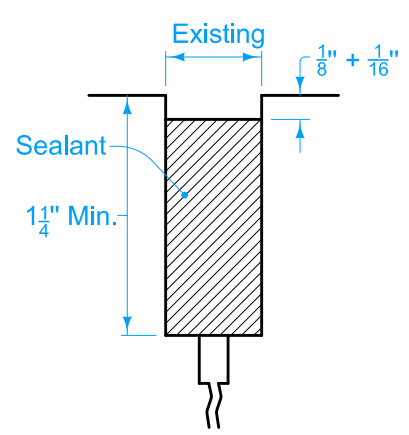


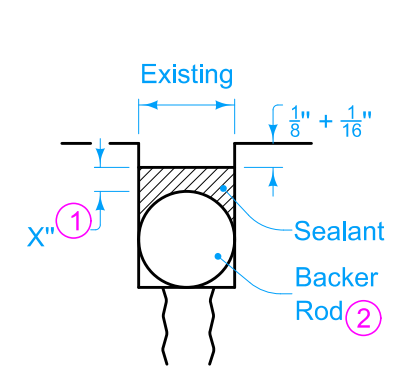
Note: Center $\frac{1}{2}$ " saw cut over the crack
CLASS I CRACK
 Random Crack Less Than $\frac{1}{2}$ " In Width



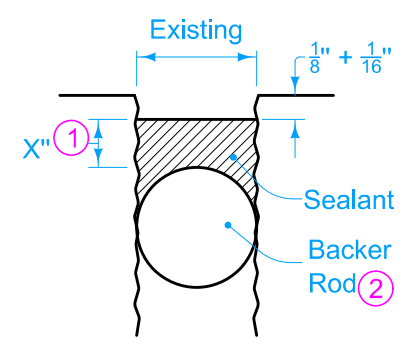
CLASS II CRACK
 Random Crack $\frac{1}{2}$ " To $1\frac{1}{2}$ "



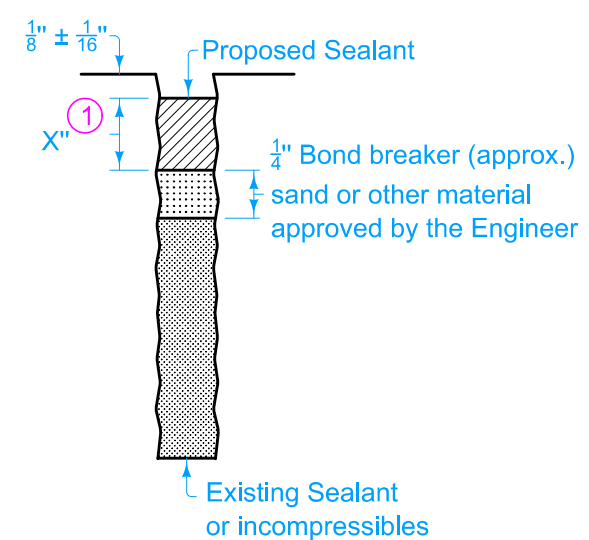
Note: Center saw cut over existing joint
CLASS III JOINT
 Existing Joint $\frac{1}{2}$ " Wide Or Less



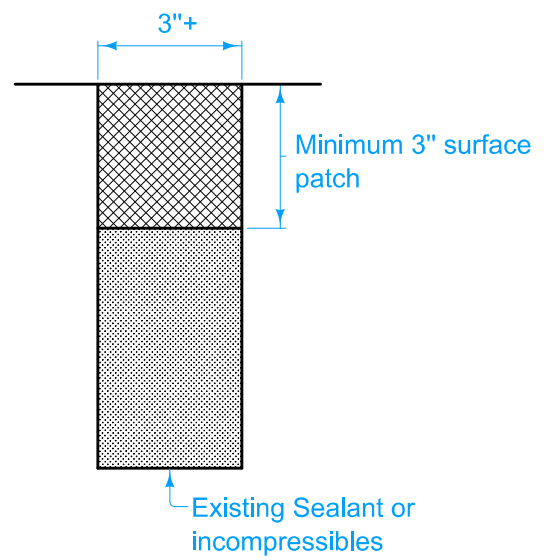
CLASS IV JOINT
 Existing Width $>\frac{1}{2}$ " To $1\frac{1}{2}$ "



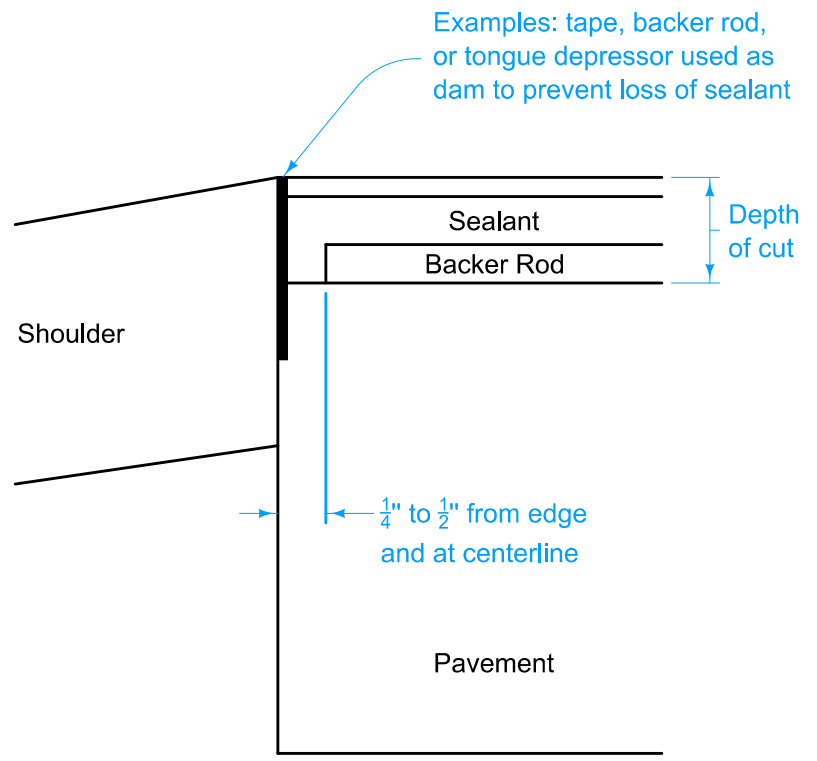
CLASS V CRACK OR JOINT
 Existing Width $1\frac{1}{2}$ " To 3"



ALTERNATE BOND BREAKER FOR
CLASS II CRACK
CLASS IV JOINT
CLASS V CRACK OR JOINT



GREATER THAN 3" OPENING



BACKER ROD PLACEMENT DETAIL

- ① X" = $\frac{1}{2}$ " Minimum when width is 1" or less
 2:1 (Width:Depth) when width is greater than 1"
- ② Minimum diameter of one nominal size larger than the existing crack or joint

	REVISION	
	New	10-21-14
STANDARD ROAD PLAN		
		PR-110
SHEET 1 of 1		

REVISIONS: New. Replaces RR-21.

Shawn Miller
 APPROVED BY DESIGN METHODS ENGINEER

**PCC CRACK AND JOINT
 CLEANING AND FILLING**