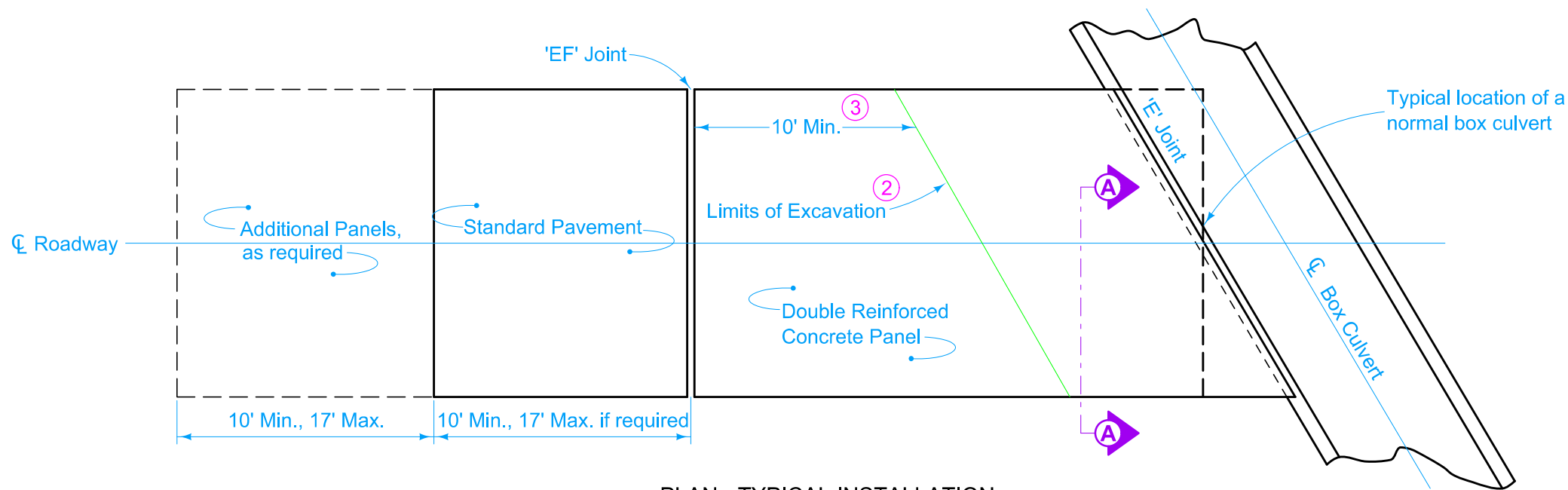
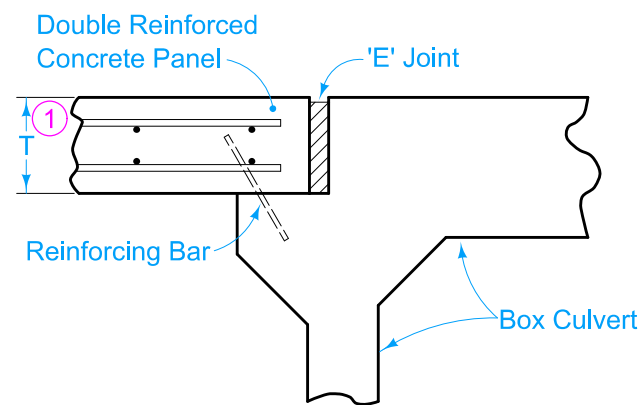


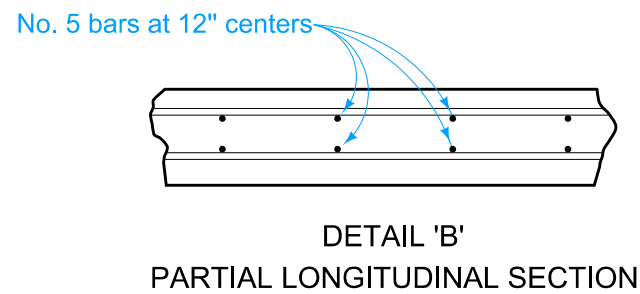
SECTION - TYPICAL INSTALLATION



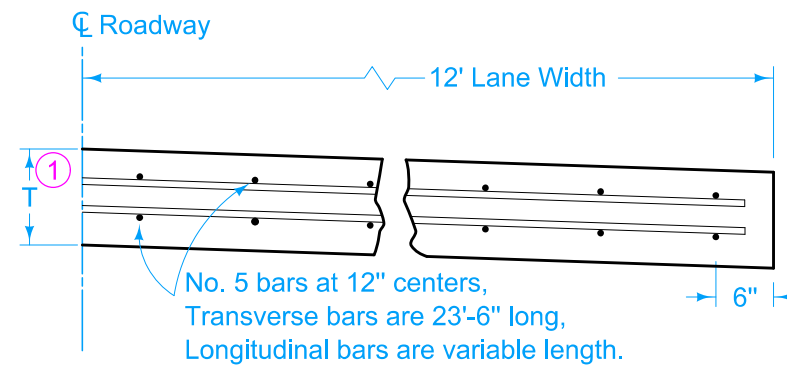
PLAN - TYPICAL INSTALLATION



DETAIL 'A'



DETAIL 'B'
PARTIAL LONGITUDINAL SECTION



SECTION A-A
Half Section

Price bid for standard pavement of the specified thickness is full compensation for constructing the pavement as detailed, including all necessary reinforcement and expansion joints as required on this sheet.

See PV-101 for joint details.

Provide minimum 2 inch clearance for all reinforcement.

- ① Refer to typical sections elsewhere in the plans for pavement thickness T .
- ② Limits of excavation and type of backfill are shown elsewhere on the plans.
- ③ Extend Double Reinforced Pavement a minimum of 10 feet beyond the limits of excavation.
- ④ Place joint no closer than 5 feet from existing joint.

| | | |
|-------------------------------------------------------------|----------|----------|
| STANDARD ROAD PLAN | REVISION | |
| | 3 | 04-21-20 |
| PR-121 | | |
| SHEET 1 of 1 | | |
| REVISIONS: Removed INTERIM from the standard. | | |
| APPROVED BY DESIGN METHODS ENGINEER | | |
| DOUBLE REINFORCED CONCRETE PANEL AT BOX CULVERTS | | |