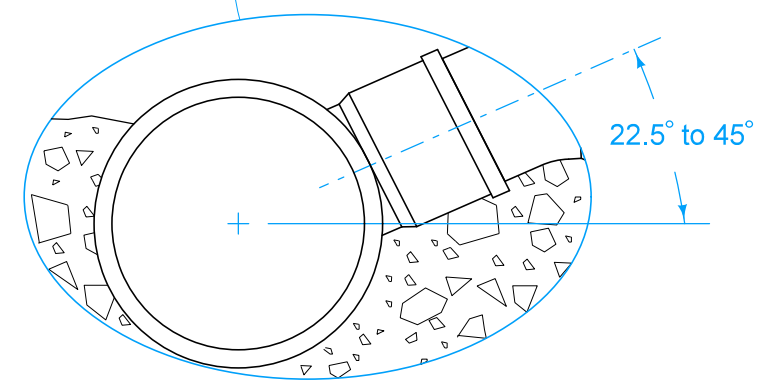
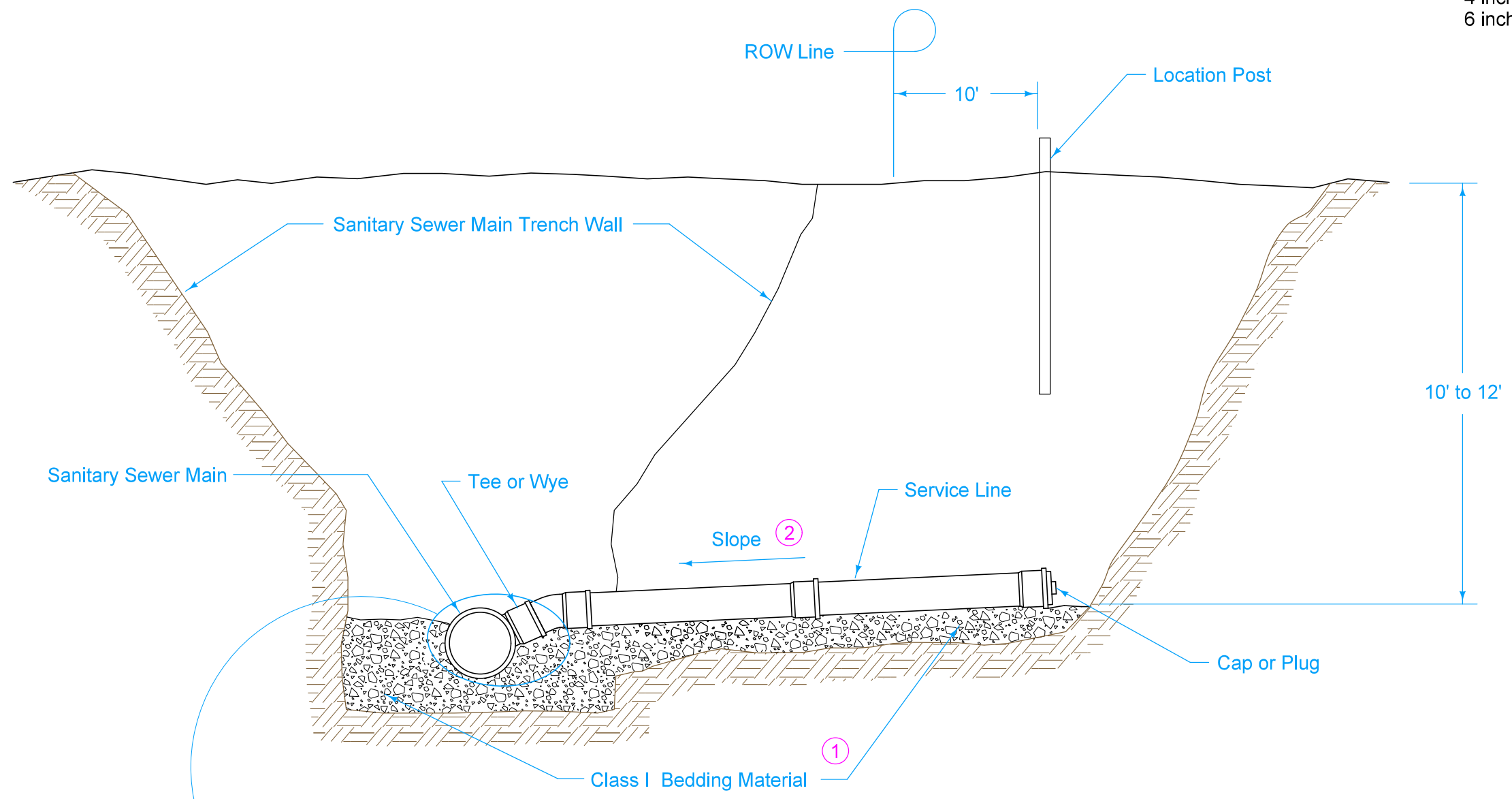


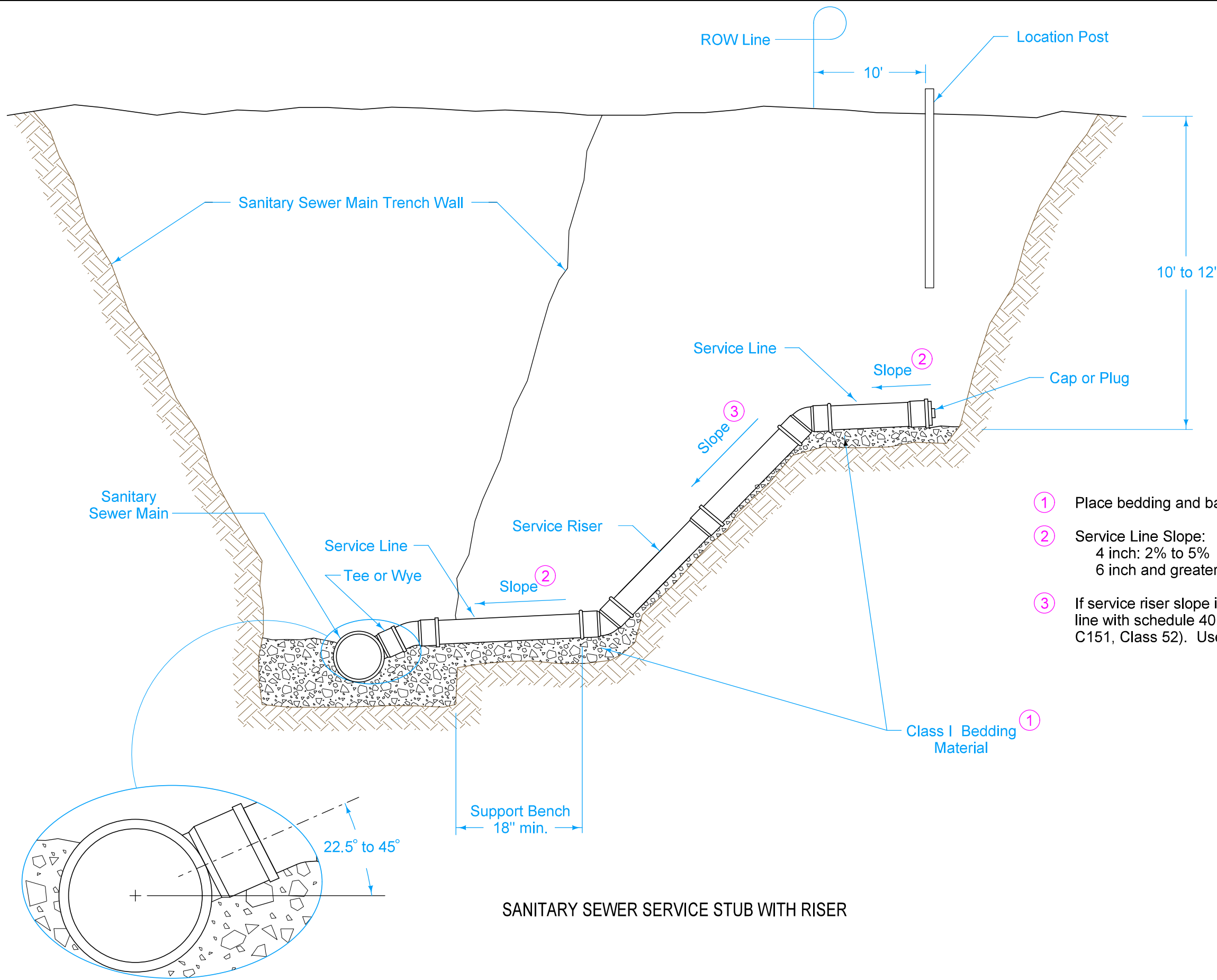
- ① Place bedding and backfill material as required for sewer main.
- ② Service Line Slope:
4 inch: 2% to 5%
6 inch and greater: 1% to 5%



SANITARY SEWER SERVICE STUB

FIGURE 4010.201 SHEET 1 OF 2

SUDAS	IOWA DOT	REVISION	
		2	04-21-20
FIGURE 4010.201	STANDARD ROAD PLAN	SW-201	
		SHEET 1 of 2	
REVISIONS: Changed 1 to 1 on Bedding Material.			
 SUDAS DIRECTOR		 DESIGN METHODS ENGINEER	
SANITARY SEWER SERVICE STUB			



- ① Place bedding and backfill material as required for sewer main.
- ② Service Line Slope:
4 inch: 2% to 5%
6 inch and greater: 1% to 5%
- ③ If service riser slope is steeper than 1:1, construct riser of entire service line with schedule 40 PVC (ASTM D 1785) or ductile iron (AWWA C151, Class 52). Use single length of pipe for riser, if possible.

SANITARY SEWER SERVICE STUB WITH RISER

FIGURE 4010.201 SHEET 2 OF 2

SUDAS	IOWA DOT	REVISION	
		2	04-21-20
FIGURE 4010.201	STANDARD ROAD PLAN	SW-201	
		SHEET 2 of 2	
REVISIONS: Changed 1 to 1 on Bedding Material.			
Paul D. Wrigand SUDAS DIRECTOR		Steve Miller DESIGN METHODS ENGINEER	
SANITARY SEWER SERVICE STUB			