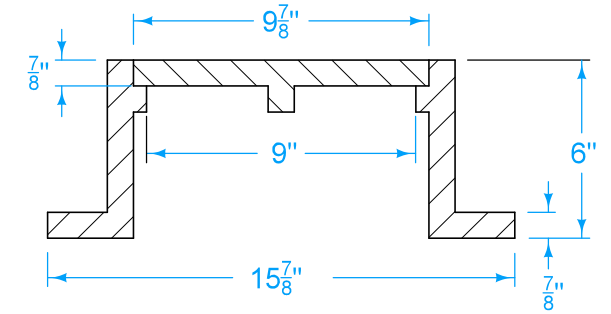
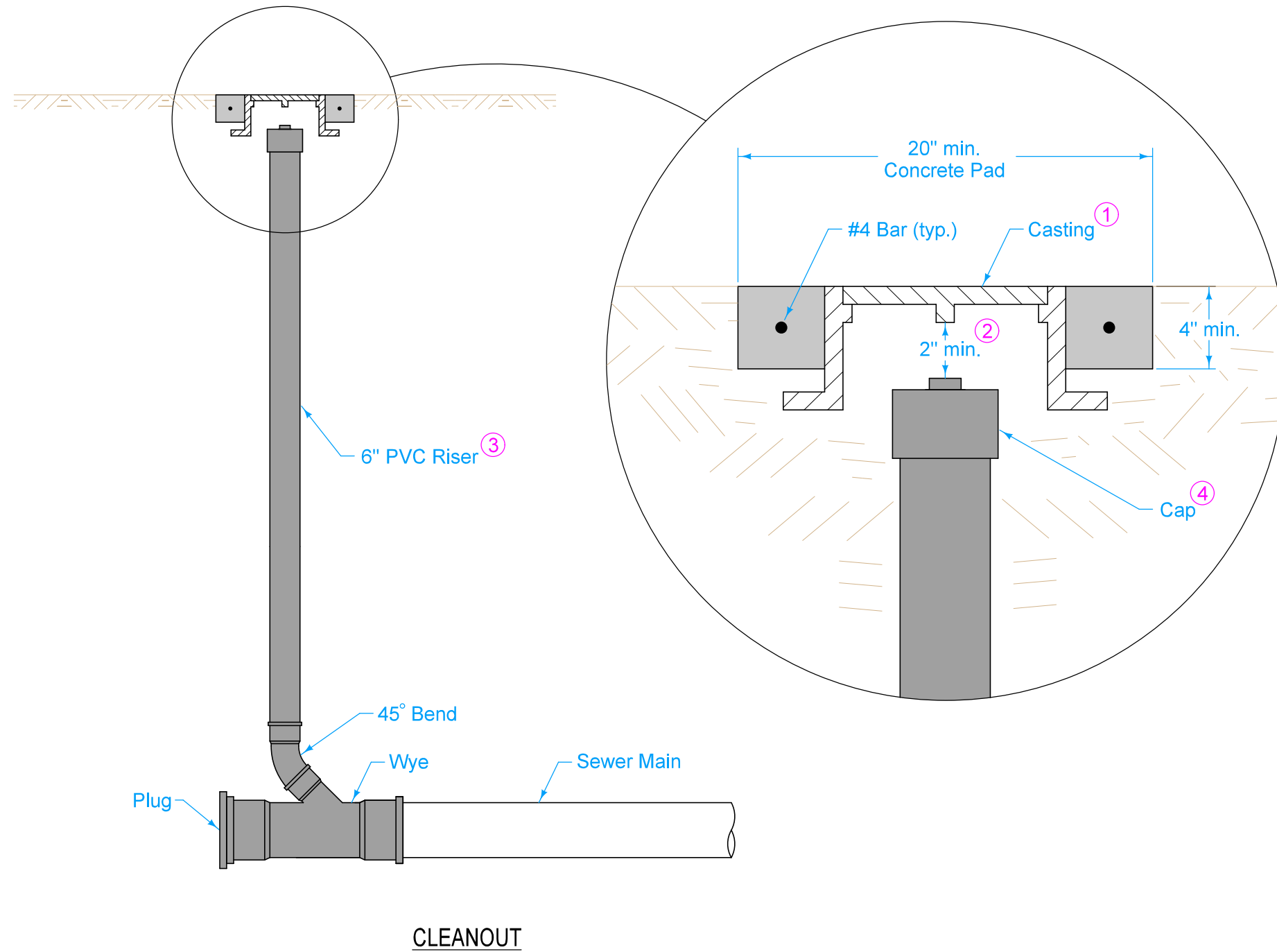


- ① Standard duty casting complying with AASHTO M 306. Mark lid with "Sanitary" or "Sanitary C.O."
- ② Do not allow casting to bear on top of riser pipe.
- ③ 6 inch PVC Service Pipe
- ④ Threaded PVC cap or iron body ferrule with brass screw plug



CASTING ①
(Dimensions are nominal)

FIGURE 4010.203 SHEET 1 OF 1

SUDAS	IOWA DOT	REVISION	
		1	04-17-18
FIGURE 4010.203	STANDARD ROAD PLAN	SW-203	
		SHEET 1 of 1	

REVISIONS: Replaced Iowa DOT and SUDAS logos.

Paul D. Wrigand
 SUDAS DIRECTOR

Stuart Miller
 DESIGN METHODS ENGINEER

SANITARY SEWER CLEANOUT