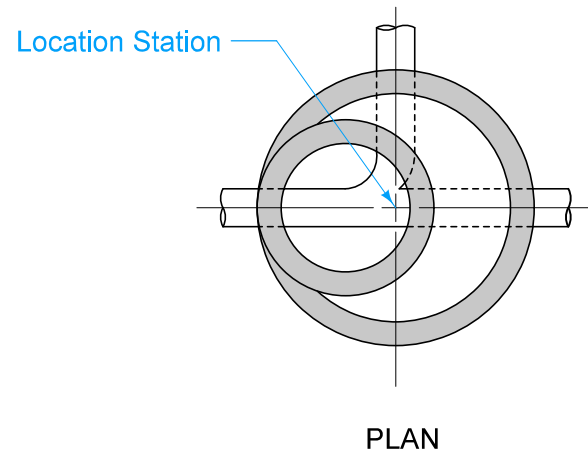
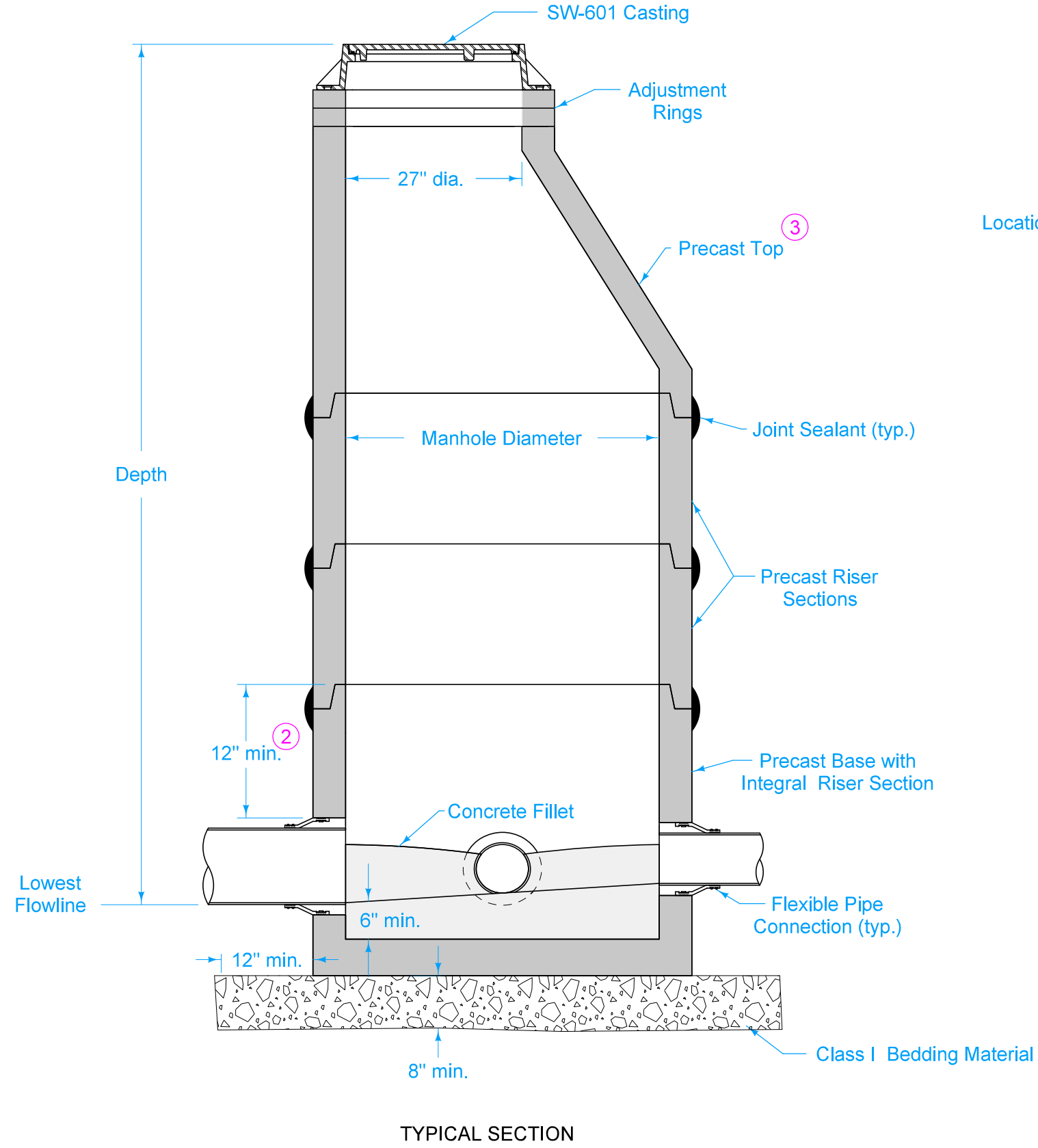


If manhole depth exceeds 20 feet, install steps.

Install infiltration barrier.

- ① For additional configurations, maintain a minimum of 12 inches of concrete between vertical edges of pipe openings.
- ② 12 inch minimum riser height above all pipe openings.
- ③ When specified, provide an eccentric flat top in lieu of eccentric cone section.



Manhole Diameter (inches)	Maximum Pipe Diameter (inches) for 2 Pipes ①	
	At 180° Separation	At 90° Separation
48	24	18
60	36	24
72	42	30
84	48	36
96	60	42

FIGURE 6010.301 SHEET 1 OF 1

SUDAS	IOWA DOT	REVISION	
		5	10-18-22
FIGURE 6010.301	STANDARD ROAD PLAN	SW-301	
		SHEET 1 of 1	
REVISIONS: Added circle note 3.			
 SUDAS DIRECTOR		 DESIGN METHODS ENGINEER	
CIRCULAR SANITARY SEWER MANHOLE			