

If manhole depth exceeds 20 feet, install steps.

Install infiltration barrier.

- ① For sewer pipes less than 48 inches in diameter, install eccentric reducers/increasers with a standard tee or utilize a composite tee.
- ② When specified, provide an eccentric flat top In Lieu of eccentric cone section.

TYPICAL SECTION

STANDARD TEE ①

FIGURE 6010.305 SHEET 1 OF 2

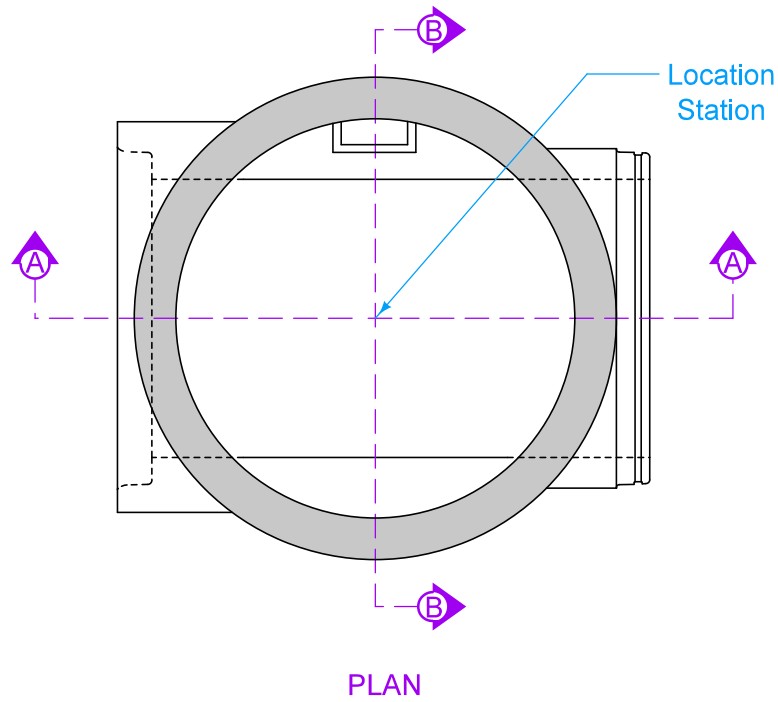
SUDAS	IOWA DOT	REVISION	
		4	10-18-22
FIGURE 6010.305	STANDARD ROAD PLAN	SW-305	
		SHEET 1 of 2	

REVISIONS: Added circle note 2.

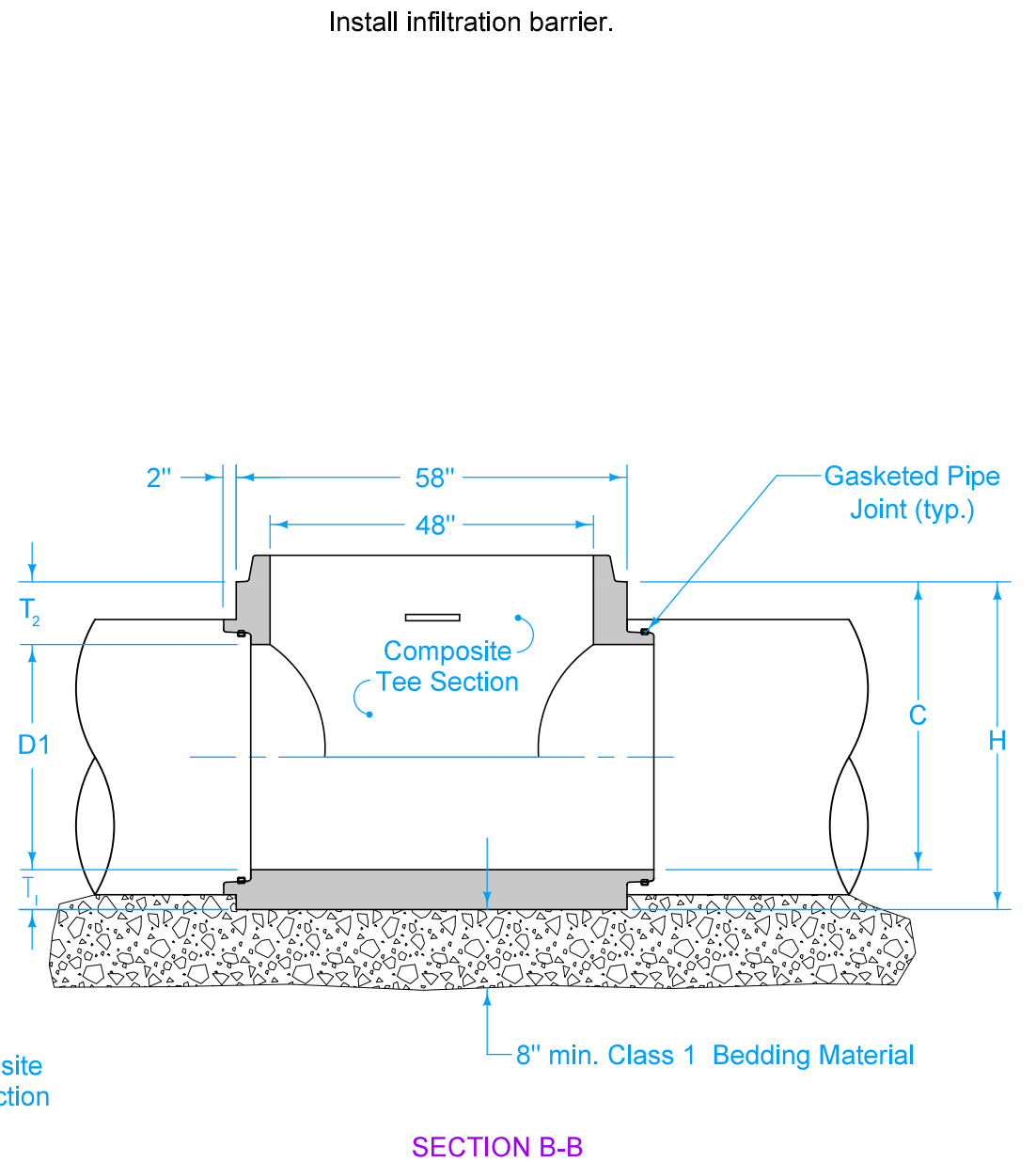
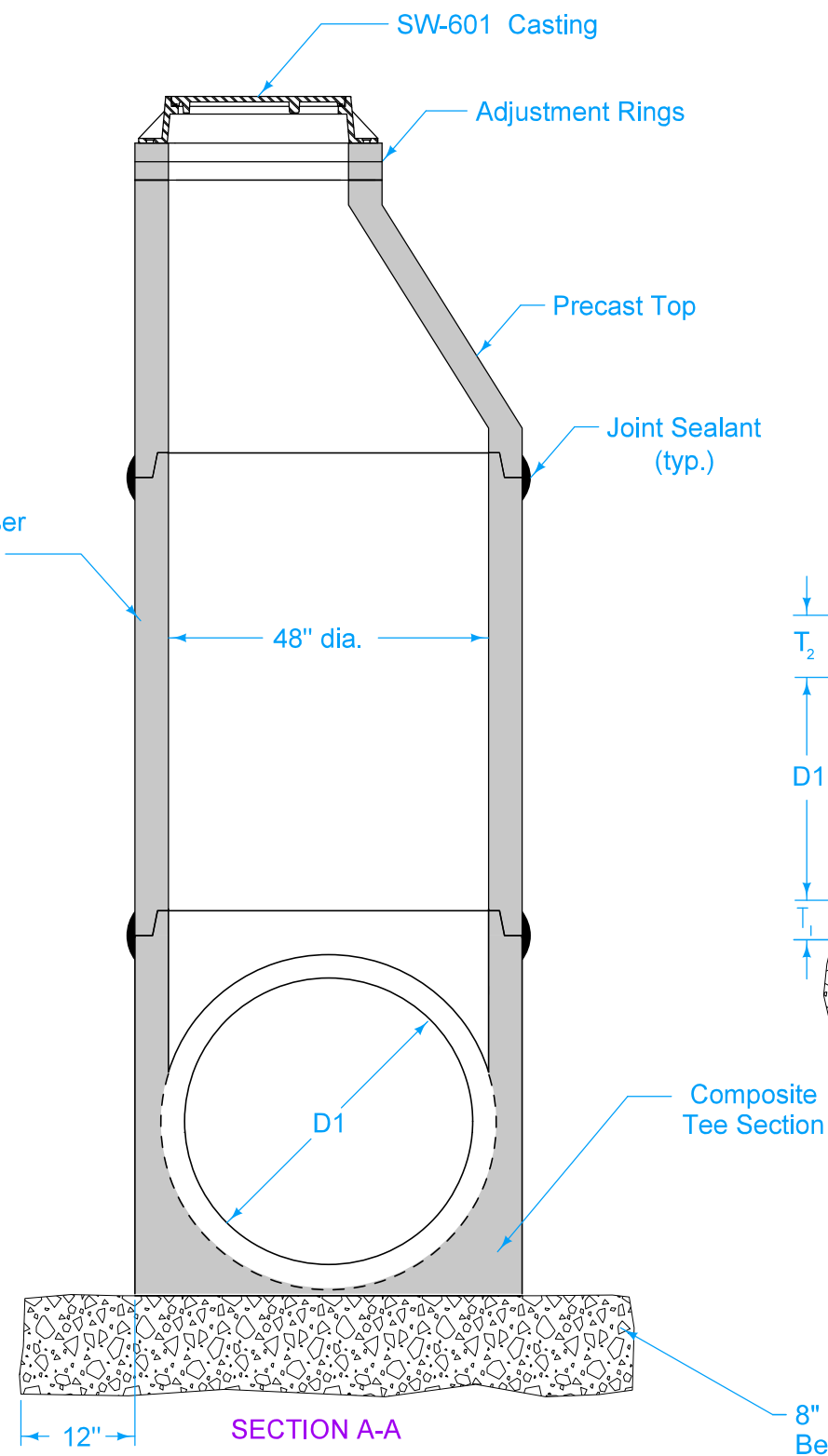
Paul D. Wiegand
 SUDAS DIRECTOR

Stuart Miller
 DESIGN METHODS ENGINEER

**TEE-SECTION
SANITARY SEWER MANHOLE**



COMPOSITE TEE DIMENSIONS						
Size	D1	H	T ₁	T ₂	C	Weight
48" on 12"	12"	50"	8 ¹ / ₂ "	29 ¹ / ₂ "	41 ¹ / ₂ "	5600 lbs.
48" on 15"	15"	50"	7"	28"	43"	5400 lbs.
48" on 18"	18"	50"	5 ¹ / ₂ "	26 ¹ / ₂ "	44 ¹ / ₂ "	5200 lbs.
48" on 21"	21"	48"	9 ¹ / ₂ "	17 ¹ / ₂ "	38 ¹ / ₂ "	5800 lbs.
48" on 24"	24"	48"	8"	16"	40"	5600 lbs.
48" on 27"	27"	48"	9 ¹ / ₂ "	11 ¹ / ₂ "	38 ¹ / ₂ "	5900 lbs.
48" on 30"	30"	48"	8"	10"	40"	5300 lbs.
48" on 33"	33"	54"	9 ¹ / ₂ "	11 ¹ / ₂ "	44 ¹ / ₂ "	6600 lbs.
48" on 36"	36"	54"	8"	10"	46"	6100 lbs.



COMPOSITE TEE
 Alternate to standard tee with eccentric reducer (for pipes 36" and smaller).

FIGURE 6010.305 SHEET 2 OF 2

SUDAS IOWA DOT	REVISION 4 10-18-22
	SW-305 SHEET 2 of 2
REVISIONS: Added circle note 2.	
<i>Paul D. Wrigand</i> SUDAS DIRECTOR	<i>Stuart Miller</i> DESIGN METHODS ENGINEER
TEE-SECTION SANITARY SEWER MANHOLE	