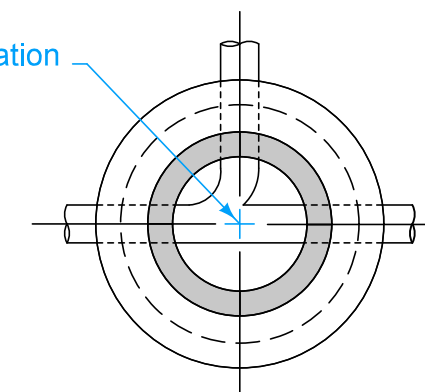
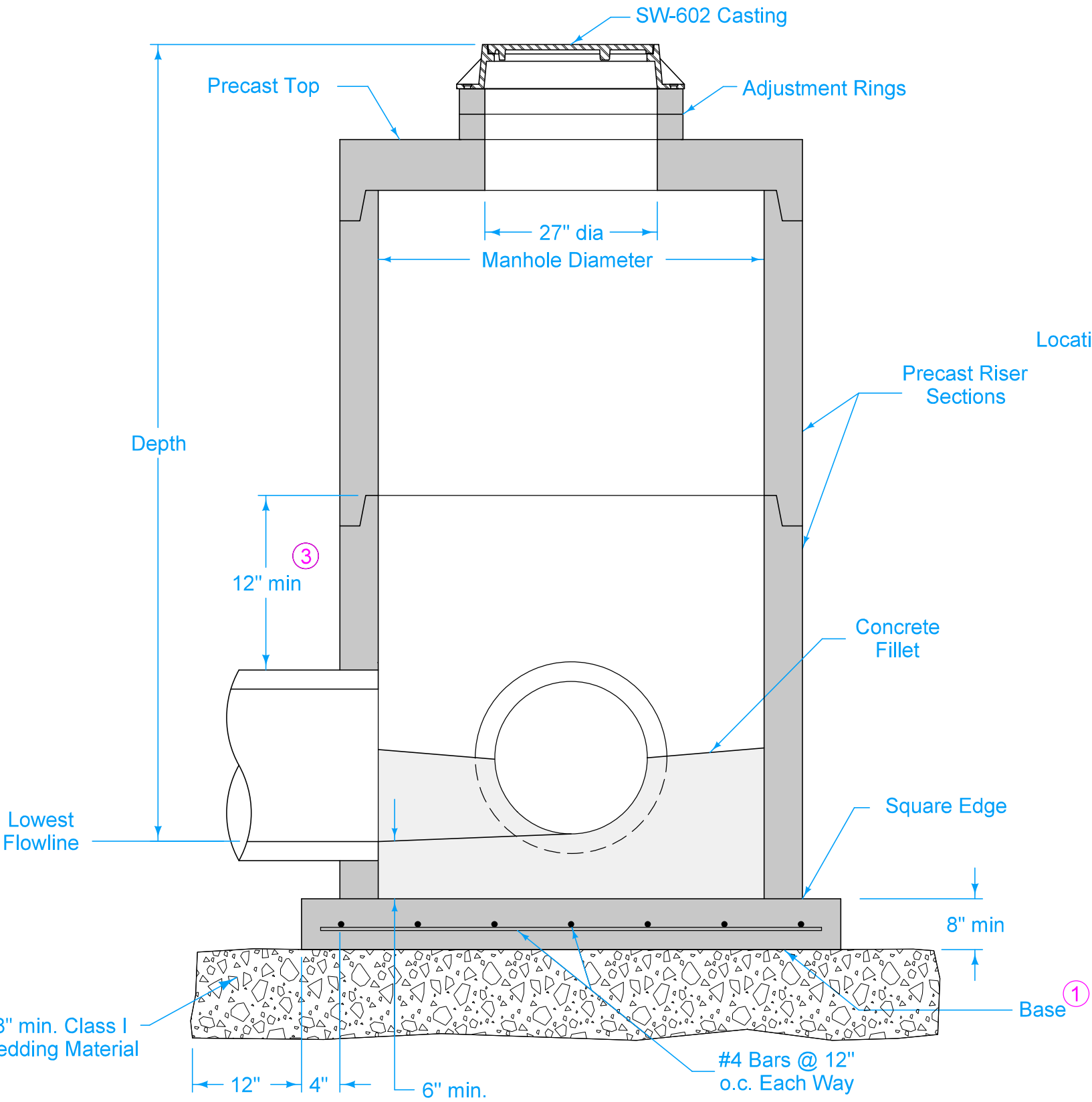


If manhole depth exceeds 20 feet, install steps.

- ① Cast-in-place base shown. If base is precast integral with bottom riser, the footprint of the base is not required to extend beyond the outer edge of the riser.
- ② For additional configurations, maintain a minimum of 12 inches of concrete between vertical edges of pipe openings.
- ③ 12 inch minimum riser height above all pipe openings.



PLAN



TYPICAL SECTION

Manhole Diameter (inches)	Maximum Pipe Diameter (inches) for 2 Pipes ②	
	At 180° Separation	At 90° Separation
48	24	18
60	36	24
72	42	30
84	48	36
96	60	42

FIGURE 6010.401 SHEET 1 OF 1

SUDAS IOWA DOT	REVISION
	3   04-20-21
FIGURE 6010.401	STANDARD ROAD PLAN
 SUDAS DIRECTOR   DESIGN METHODS ENGINEER	

REVISIONS: Added manhole depth note.

**CIRCULAR STORM SEWER  
MANHOLE**