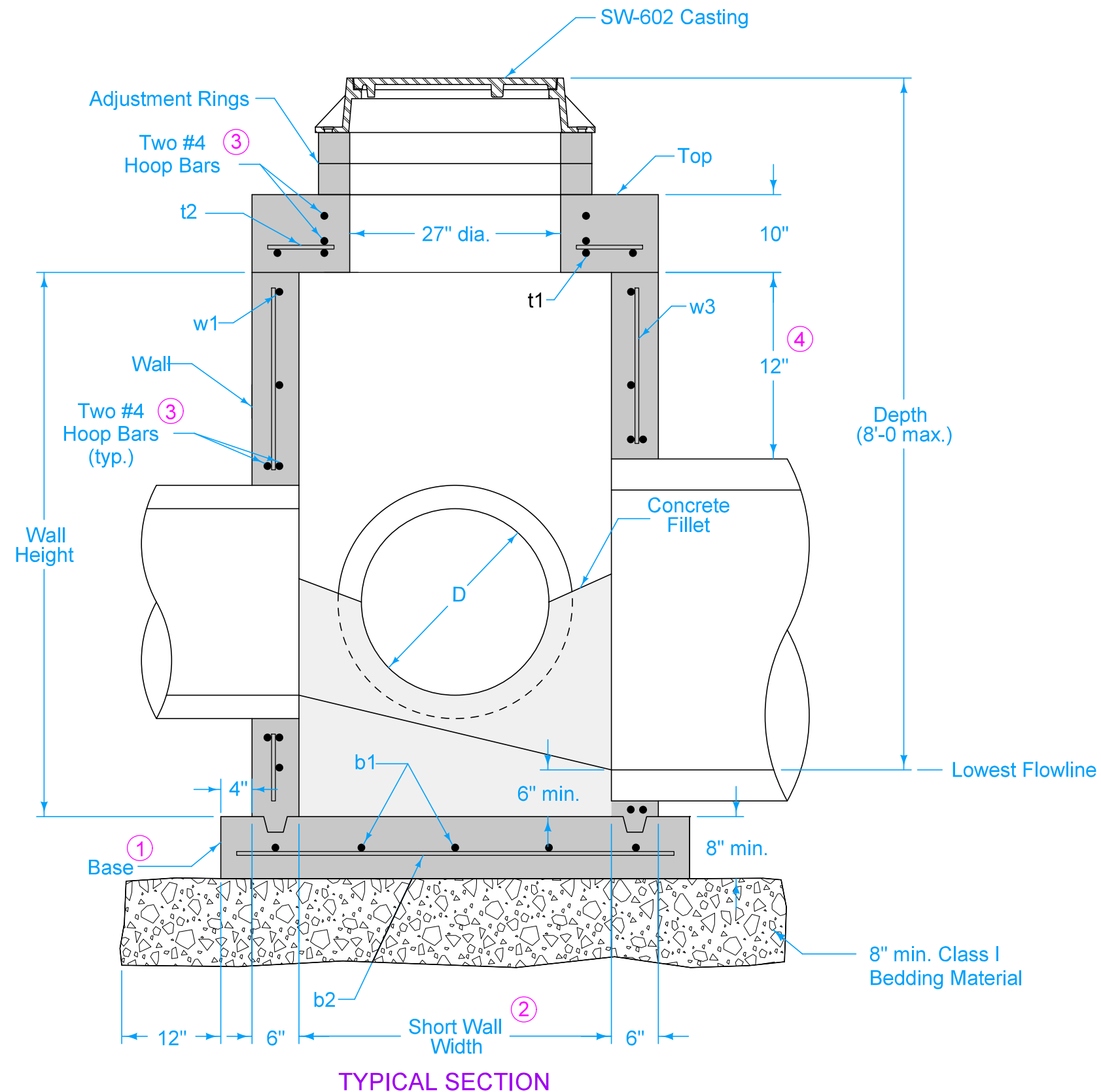


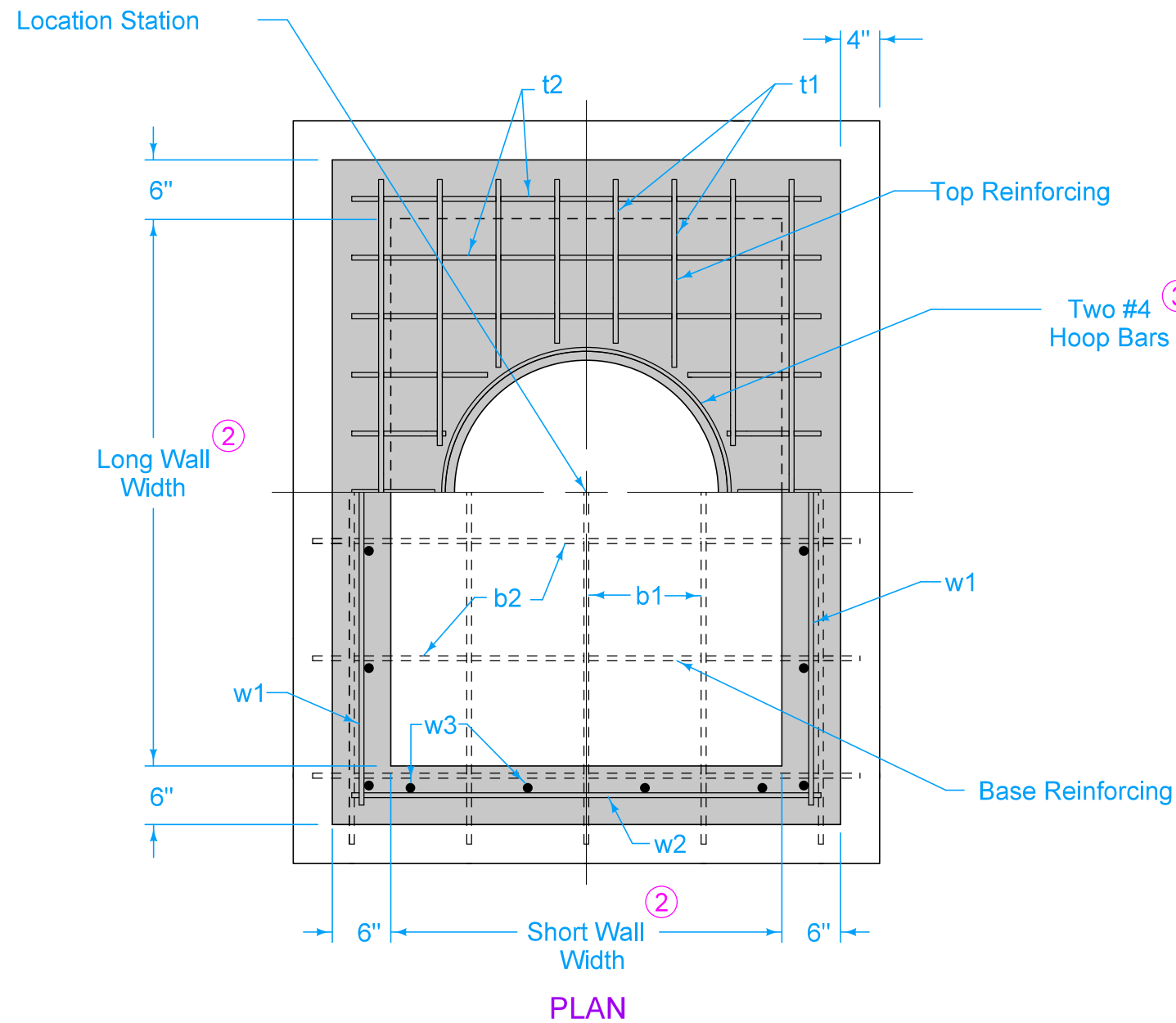
Adjacent walls may have different widths based upon pipe configuration, but structure must be rectangular.



- ① Cast-in-place base shown. If base is precast integral with walls, the footprint of the base is not required to extend beyond the outer edge of the walls.
- ② Wall widths vary with pipe diameter and range from 40 inches minimum to 77 inches maximum. Provide 6 inches of wall width (minimum) each side of pipe opening.
- ③ Provide two #4 hoop bars at top opening and at all pipe openings.
- ④ 12 inch minimum wall height above all pipes.

FIGURE 6010.402 SHEET 1 OF 2

SUDAS	IOWA DOT	REVISION	
		2	04-21-20
FIGURE 6010.402	STANDARD ROAD PLAN	SW-402	
		SHEET 1 of 2	
REVISIONS: Added Class I Bedding Material.			
Paul D. Wiegand SUDAS DIRECTOR		Stuart Miller DESIGN METHODS ENGINEER	
RECTANGULAR STORM SEWER MANHOLE			



- ② Wall widths vary with pipe diameter and range from 40" minimum to 77" maximum. Provide 6" of wall width (minimum) each side of pipe opening.
- ③ Provide two #4 hoop bars at top opening and at all pipe openings.

REINFORCING BAR LIST					
Mark	Size	Location	Shape	Length	Spacing
t1	See Table	Top	—	Long Wall plus 8"	6"
t2	See Table	Top	—	Short Wall plus 8"	6"
b1	See Table	Base	—	Long Wall plus 14"	12"
b2	See Table	Base	—	Short Wall plus 14"	12"
w1	See Table	Walls	—	Long Wall plus 8"	12"
w2	See Table	Walls	—	Short Wall plus 8"	12"
w3	See Table	Walls	—	Wall Height minus 4"	12"

Diameter of Largest Pipe, D	Minimum Bar Size
48" or 54"	6
33" to 42"	5
30" or smaller	4

FIGURE 6010.402 SHEET 2 OF 2

		REVISION	
		2	04-21-20
FIGURE 6010.402	STANDARD ROAD PLAN	SW-402	
SHEET 2 of 2			
REVISIONS: Added Class I Bedding Material.			
<i>Paul D. Wiegand</i> SUDAS DIRECTOR		<i>Stuart Miller</i> DESIGN METHODS ENGINEER	
RECTANGULAR STORM SEWER MANHOLE			