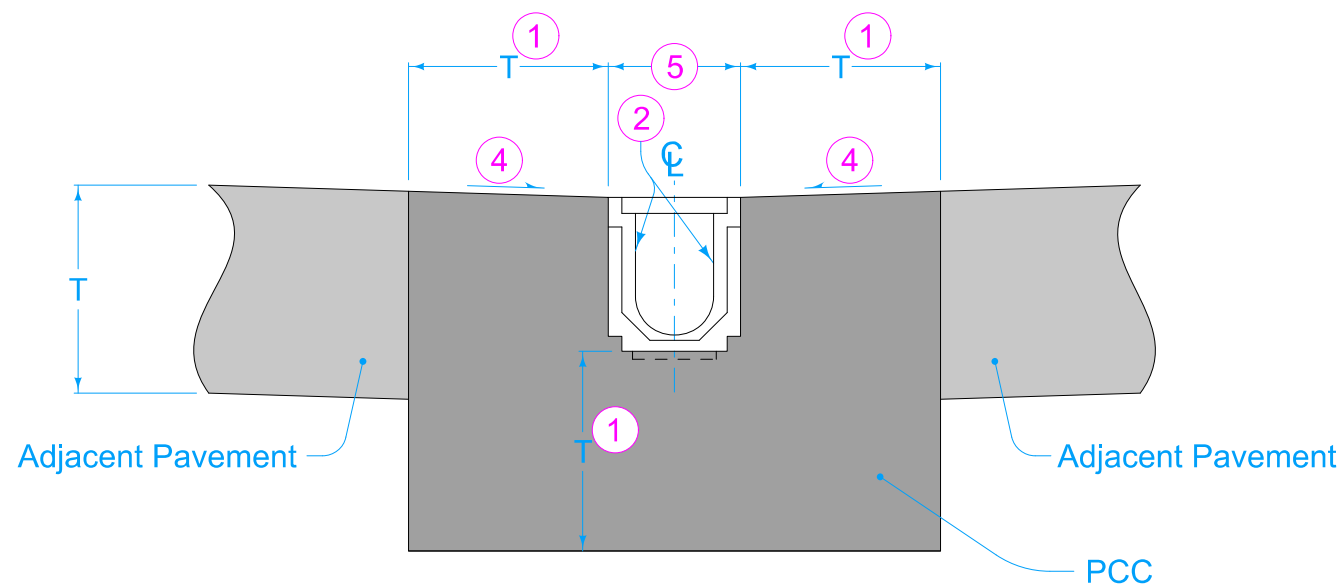


PLAN



SECTION A-A

- ① 6 inches or same as thickness of adjacent pavement, whichever is greater.
- ② Linear Trench Drain.
- ③ For joint details, see PV-101.
- ④ Slope same as adjacent pavement.
- ⑤ Width as determined by manufacturer. Minimum 6 inches.

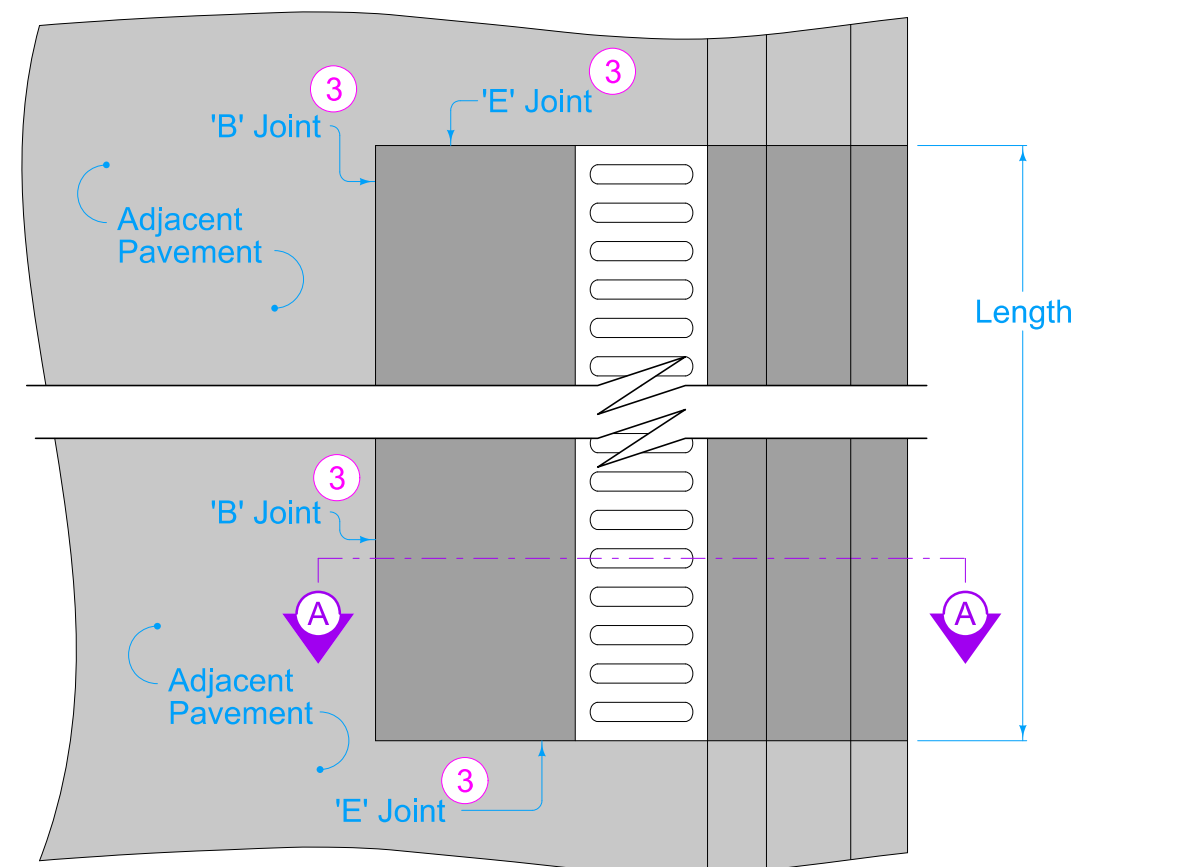
SUDAS	IOWA DOT	REVISION	
		2	04-21-20
FIGURE 6010.521	STANDARD ROAD PLAN	<b>SW-521</b>	
		SHEET 1 of 2	

REVISIONS: Converted to joint standard. Modified circle note 1.

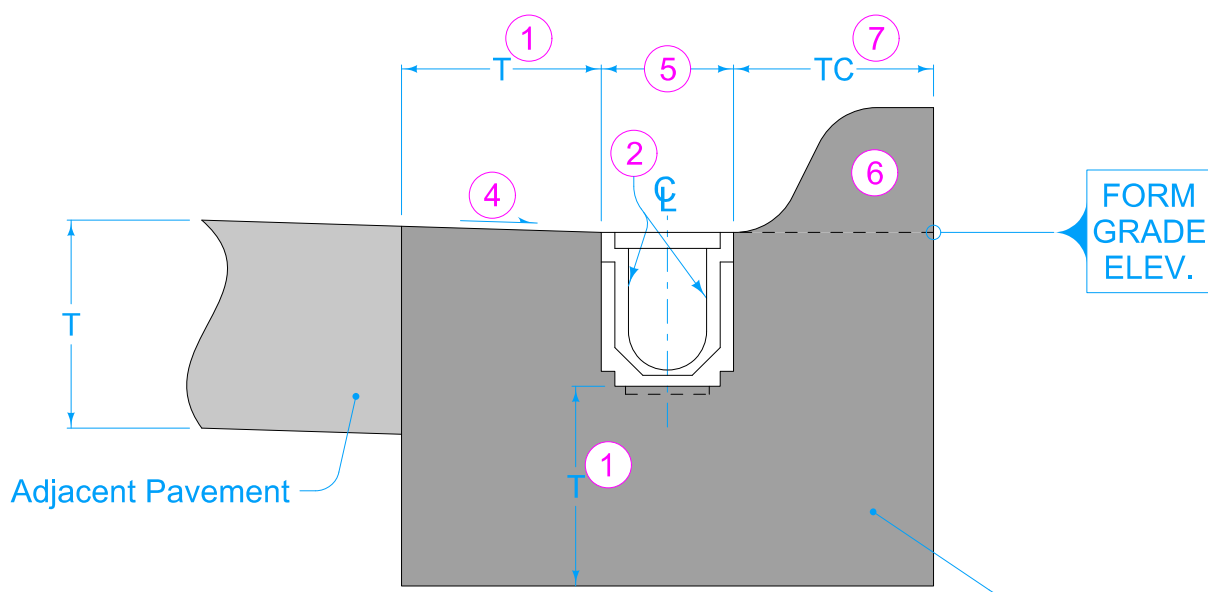
Paul D. Wrigand  
 SUDAS DIRECTOR

Stuart Miller  
 DESIGN METHODS ENGINEER

**LINEAR TRENCH DRAIN**



PLAN



SECTION A-A

- ① 6 inches or same as thickness of adjacent pavement, whichever is greater.
- ② Linear Trench Drain.
- ③ For joint details, see PV-101.
- ④ Slope same as adjacent pavement.
- ⑤ Width as determined by manufacturer. Minimum 6 inches.
- ⑥ Standard or sloped curb. For curb details, see PV-102.
- ⑦ Minimum thickness same as thickness of adjacent pavement or curb width, whichever is greater.

FIGURE 6010.521 SHEET 2 OF 2

SUDAS	IOWA DOT	REVISION	
		2	04-21-20
FIGURE 6010.521	STANDARD ROAD PLAN	SW-521	
		SHEET 2 of 2	

REVISIONS: Converted to joint standard. Modified circle note 1.

Paul D. Wiegand  
 SUDAS DIRECTOR

Stuart Miller  
 DESIGN METHODS ENGINEER

LINEAR TRENCH DRAIN