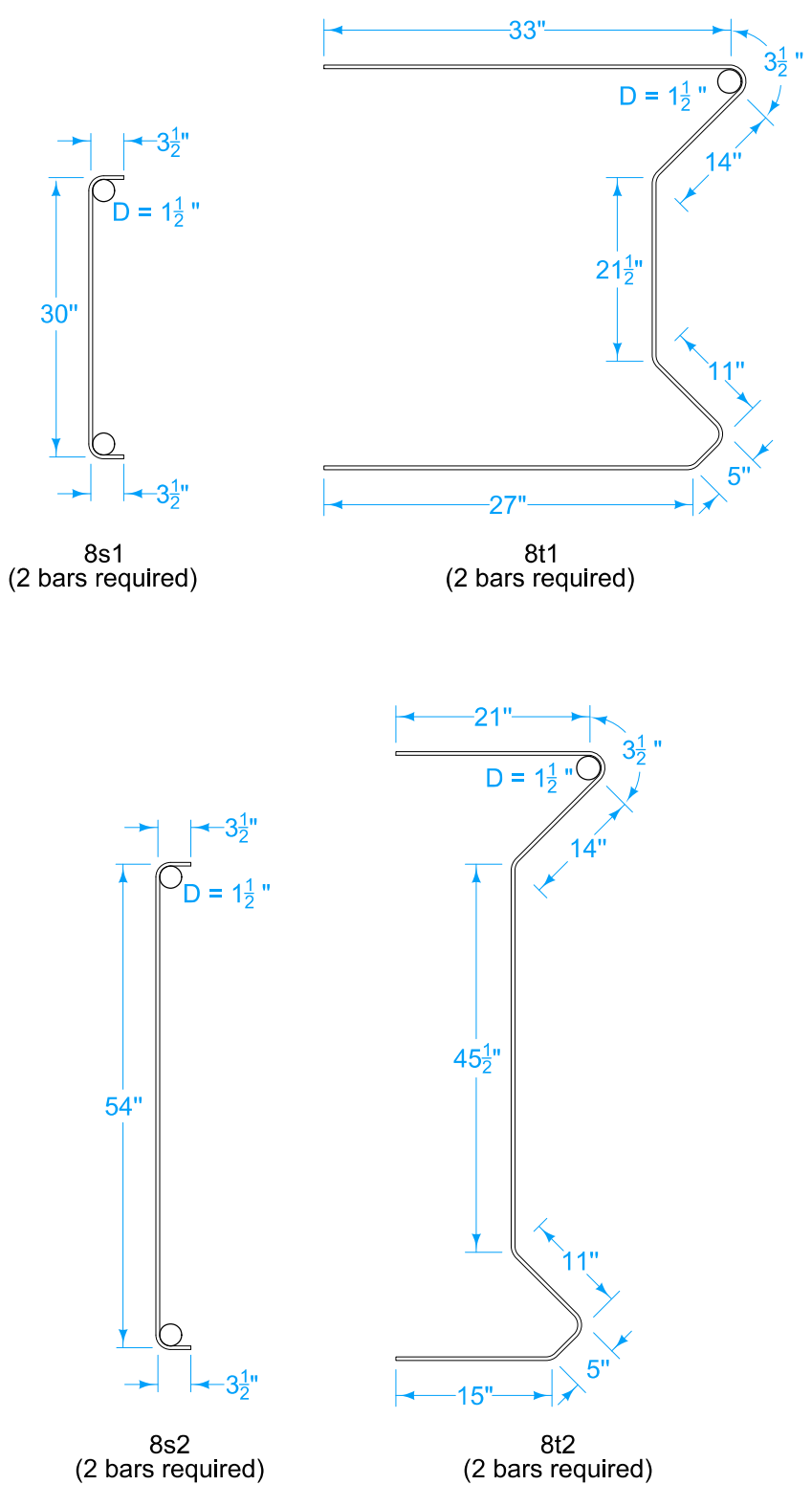


**BENT BAR DETAILS**



NOTE: ALL DIMENSIONS SHOWN OUT TO OUT.  
 D = PIN DIAMETER

Top of intake may be poured in the field or precast. For precast units, place a 1 inch diameter X 3 inch deep alignment hole 3 inches from each side of the corners of the unit.

- ① Four #6 X 9 inch alignment pins (precast tops only).
- ② Meet the requirements of Article 4151.04 of the Standard Specifications.

 <b>STANDARD ROAD PLAN</b>	REVISION
	New   04-17-18
SW-563	
SHEET 1 of 2	

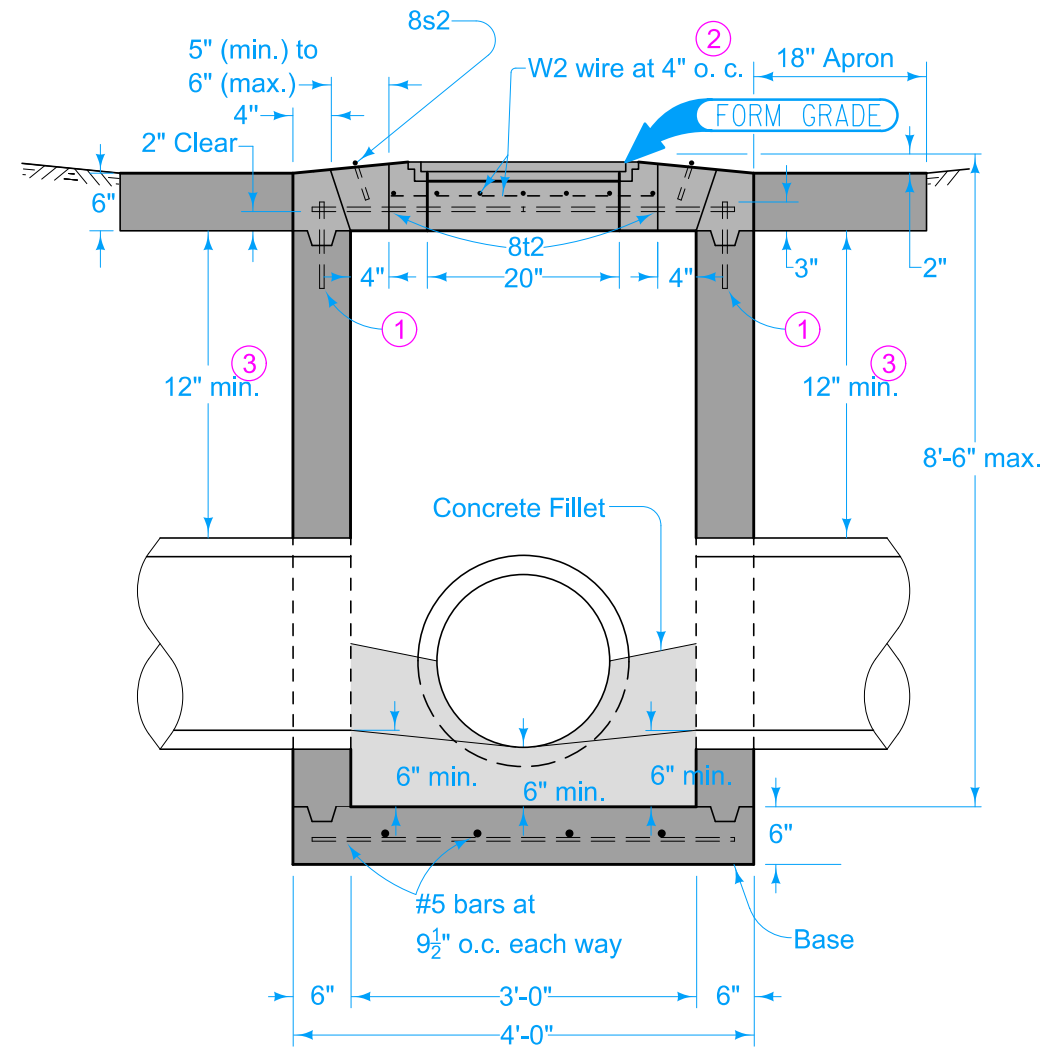
REVISIONS: New.

*Steve Miller*  
 APPROVED BY DESIGN METHODS ENGINEER

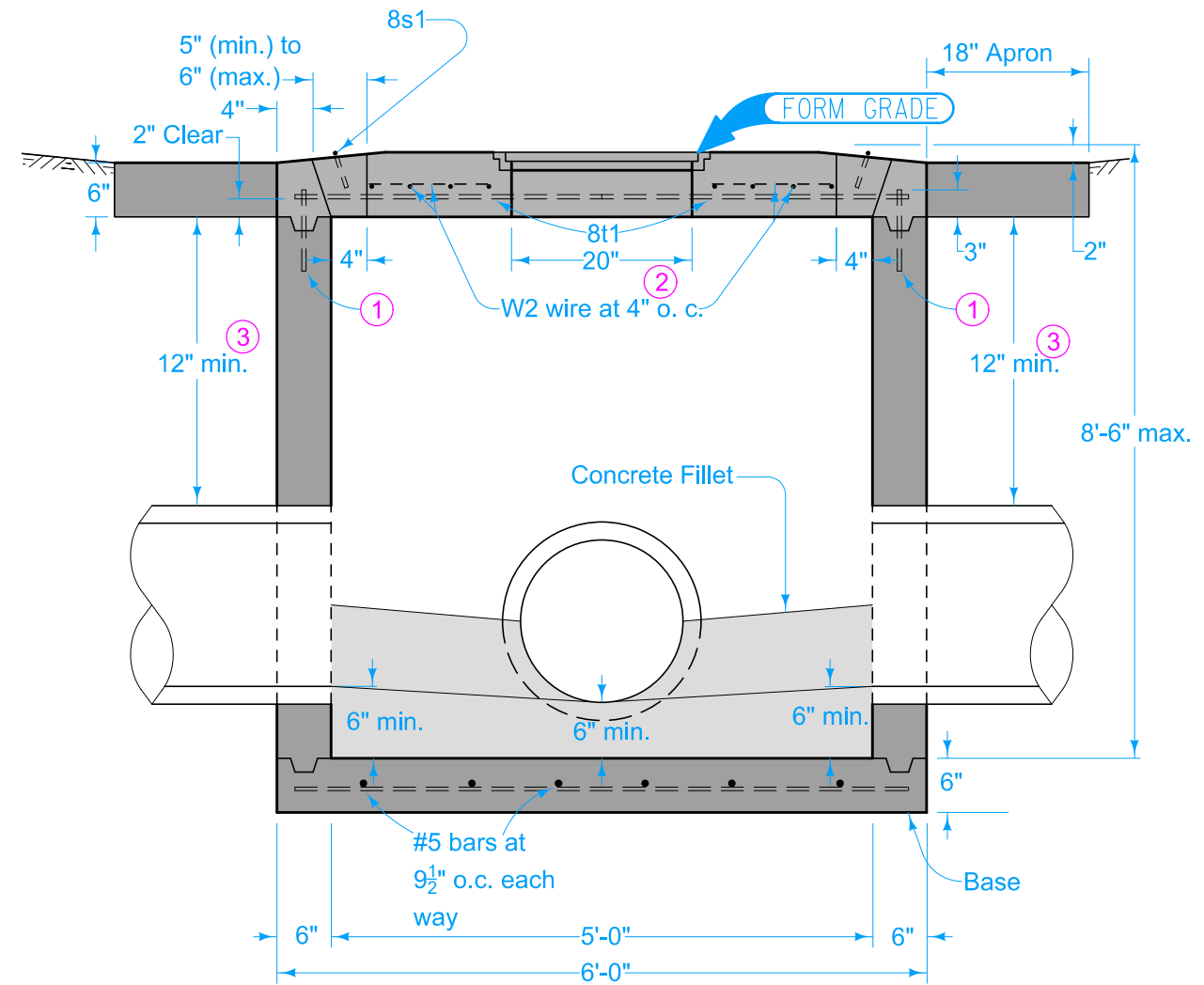
**VERTICAL THROAT AREA INTAKE  
 (LARGE BOX)**

Short wall maximum pipe size 18 inches. Long wall maximum pipe size 36 inches.

- ① Four #6 X 9 inch alignment pins (precast tops only).
- ② Meet the requirements of Article 4151.04 of the Standard Specifications.
- ③ 12 inch minimum wall height above all pipes.



**SECTION A-A  
(Short Wall)**



**SECTION B-B  
(Long Wall)**

	REVISION	
	New	04-17-18
<b>STANDARD ROAD PLAN</b>		<b>SW-563</b>
		SHEET 2 of 2
REVISIONS: New.		
APPROVED BY DESIGN METHODS ENGINEER		
<b>VERTICAL THROAT AREA INTAKE (LARGE BOX)</b>		