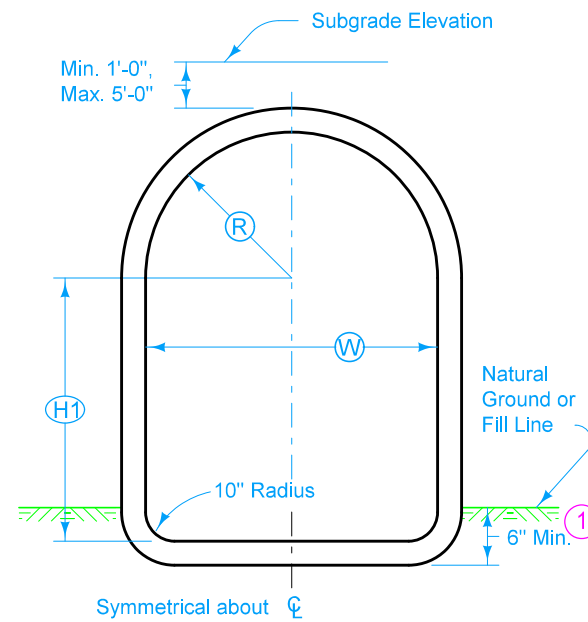
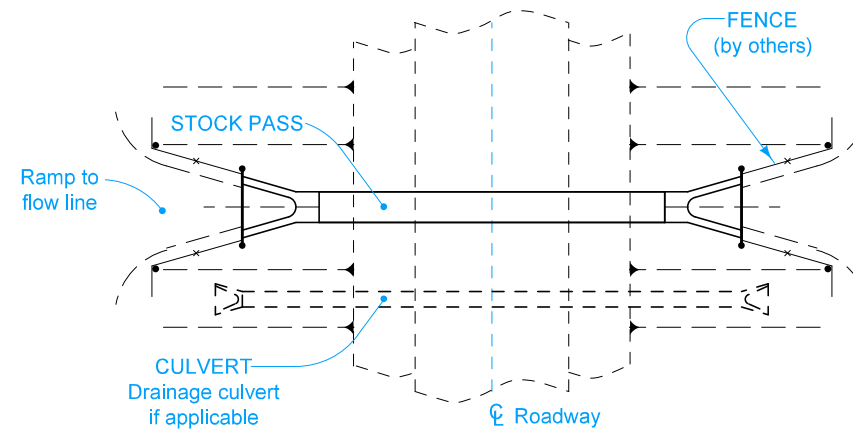


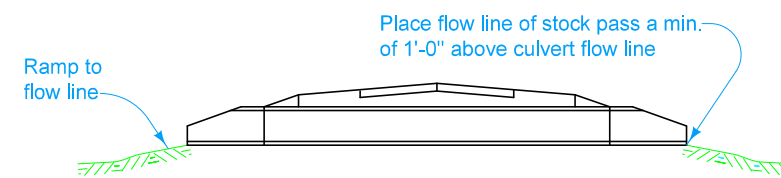
DETAIL OF INTERMEDIATE UNIT



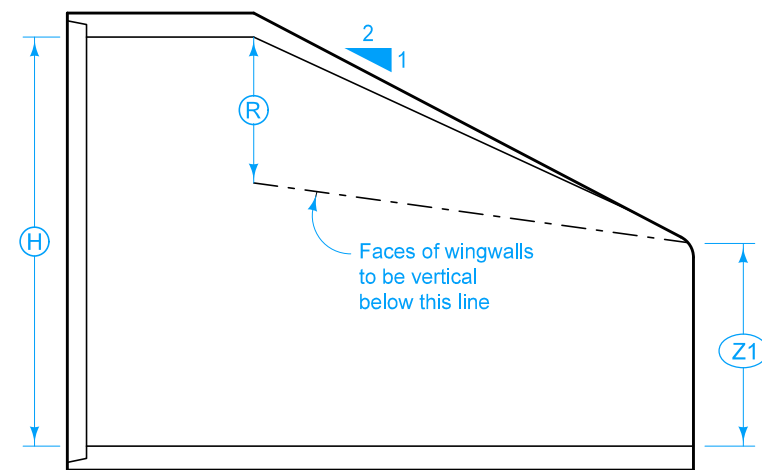
END VIEW OF INTERMEDIATE UNIT



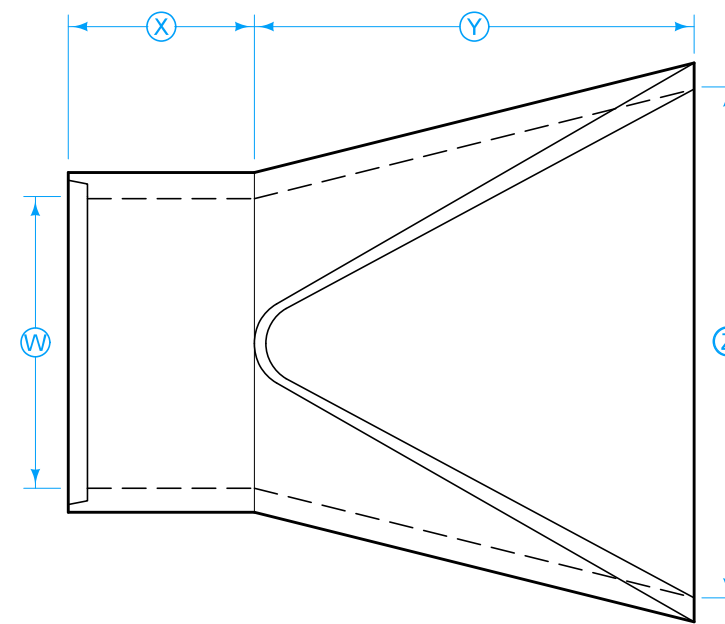
PLAN



LONGITUDINAL SECTION



APRON LONGITUDINAL SECTION



PLAN OF APRON

Furnish Precast Stock Pass complying with Section 2415 of the Standard Specifications. Install according to Section 2416 of the Standard Specifications.

Seal joints and install joint ties according to the manufacturer's recommendations.

Details indicated are typical. Alternate designs or methods may be submitted to the Engineer for approval.

Payment is full compensation for furnishing and installing stock pass and apron.

- 1 Perform excavation below ground line using a template conforming to the shape of the stock pass.

Structure	DIMENSIONS FOR APRON						
	W	H	R	X	Y	Z	Z1
4' x 6'	4'	6'	2'	3'-2"	7'	7'	2'-11"
5' x 7'	5'	7'	2'-6"	1'-9"	7'-5 ¹ / ₂ "	7'	3'-6"

Structure	DIMENSIONS FOR INTERMEDIATE UNIT			
	W	H	R	H1
4' x 6'	4'	6'	2'	4'
5' x 7'	5'	7'	2'-6"	4'-6"

- Possible Contract Items:
- Stock Pass Apron, 4' x 6' Precast Concrete
 - Stock Pass Apron, 5' x 7' Precast Concrete
 - Stock Pass, 4' x 6' Precast Concrete
 - Stock Pass, 5' x 7' Precast Concrete

	REVISION	
	NEW	04-21-15
ROAD DESIGN DETAIL		510-04
REVISIONS: New. Replaces RF-8.		SHEET 1 of 1

PRECAST STOCK PASS EXTENSION