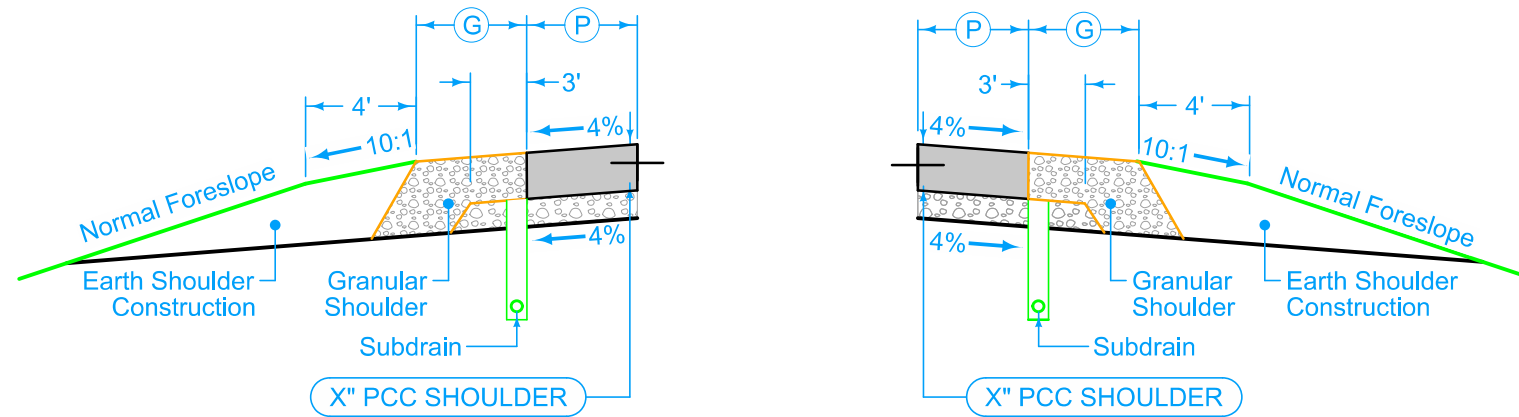


SHOULDERS

2 LANE



Full Depth PCC Combination Shoulder

Shoulder Jointing:
 Longitudinal joint: BT-2, or L-2
 Transverse joints: C at 17' spacing

| 2_C_FullPCC_04-15-25 | | | |
|----------------------|-------------|-------------|--|
| STATION TO STATION | (P) Feet | (G) Feet | |
| | | | |
| | | | |
| | | | |