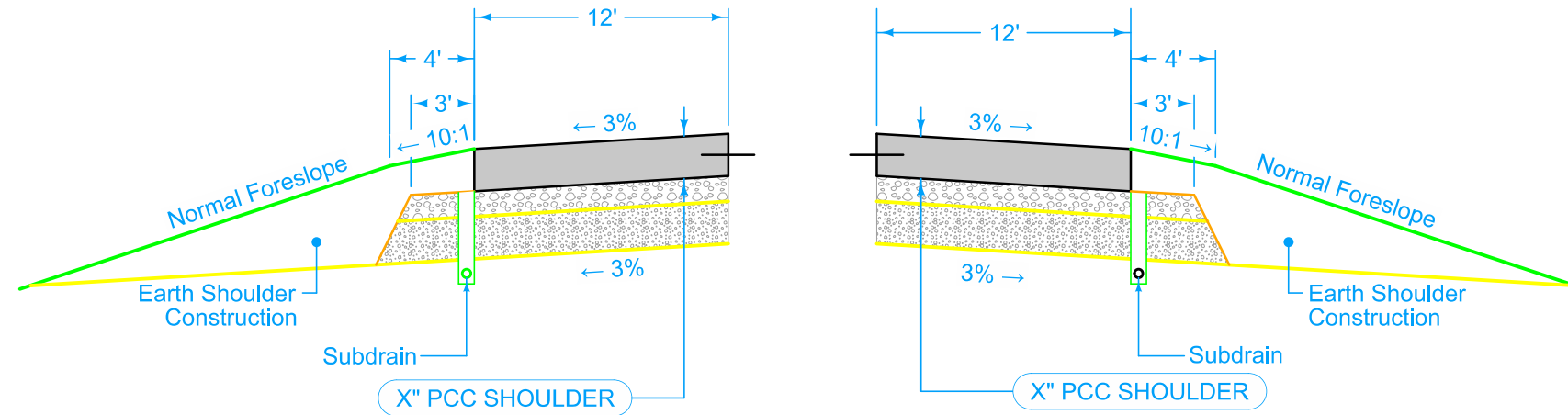


# SHOULDERS

8 LANE



## Full Depth PCC Shoulder

Shoulder Jointing:  
 Longitudinal joint: BT-2, or L-2  
 Transverse joints: C at 17' spacing

8D_Closed_P_FullPCC_ 04-15-25	
BEGIN STATION	END STATION