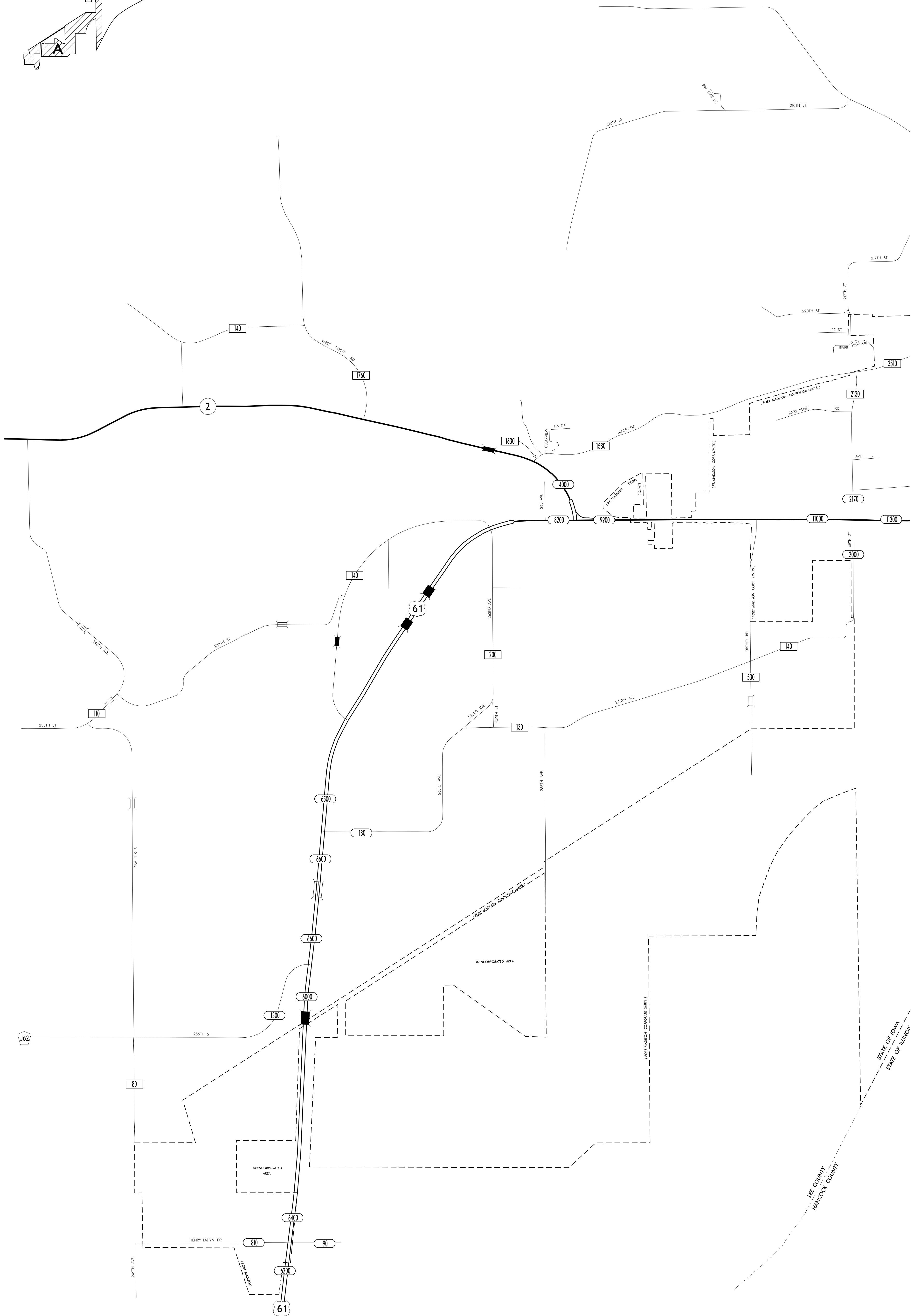
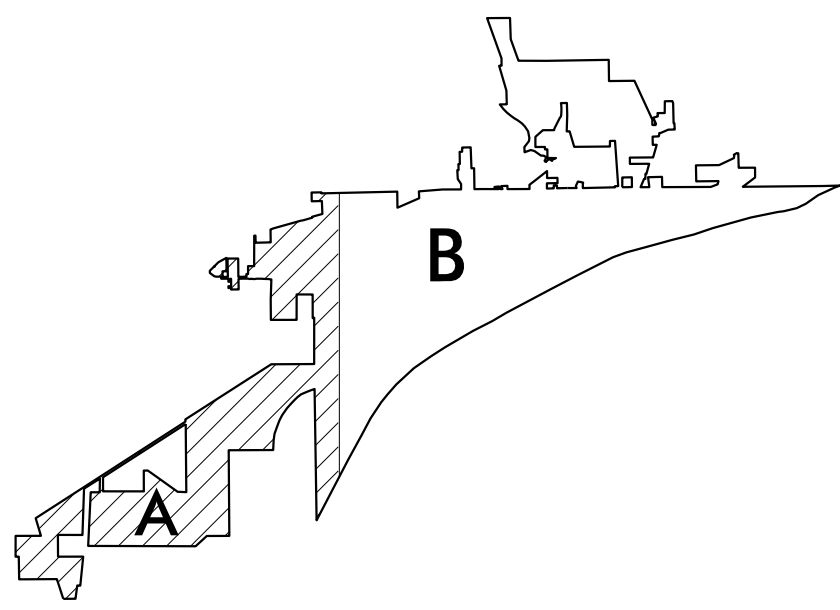
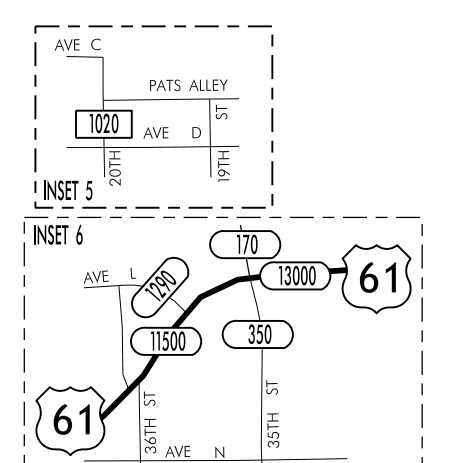
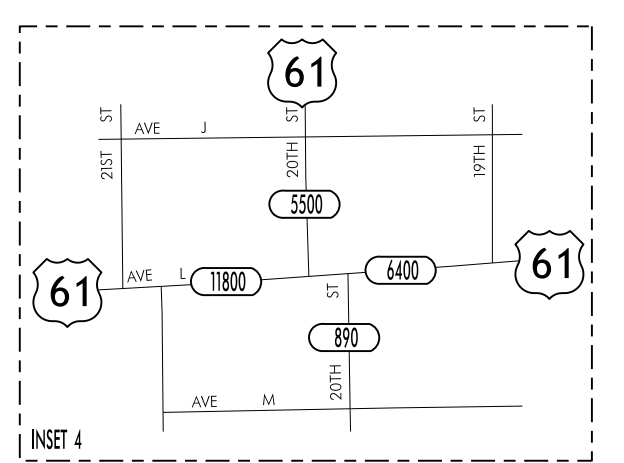
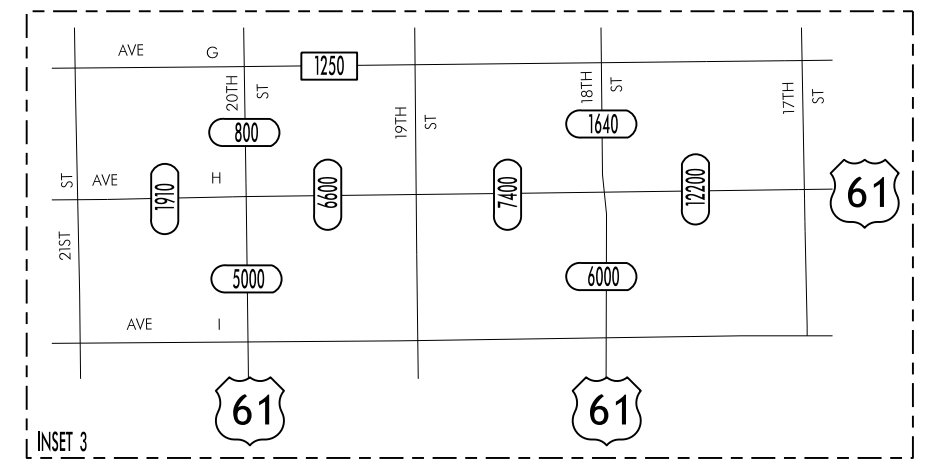
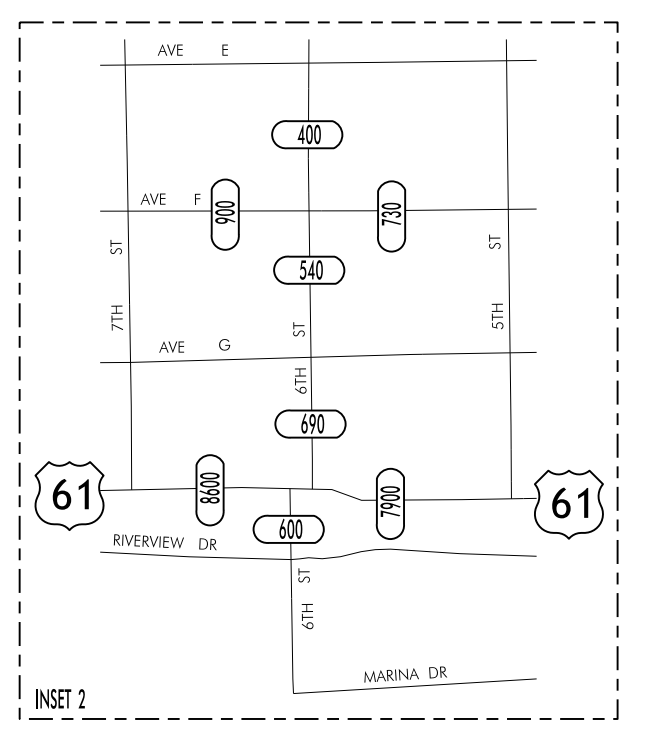
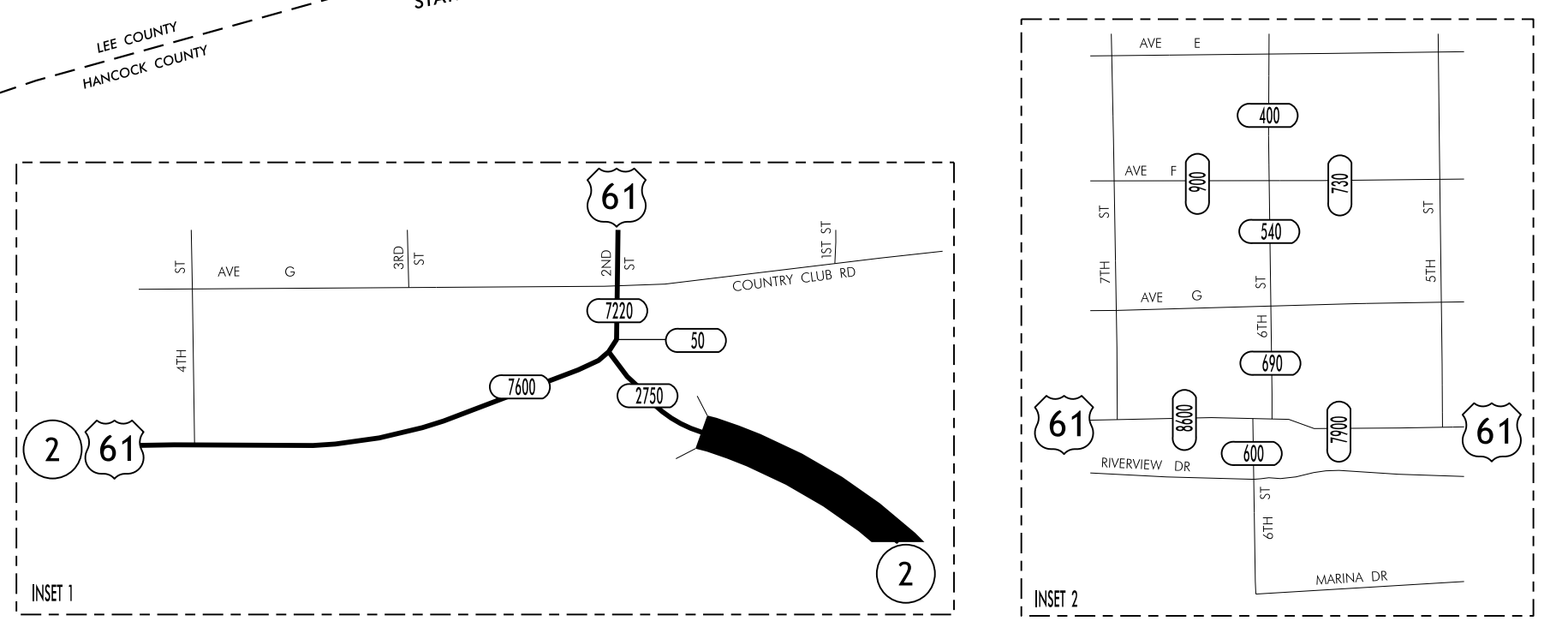
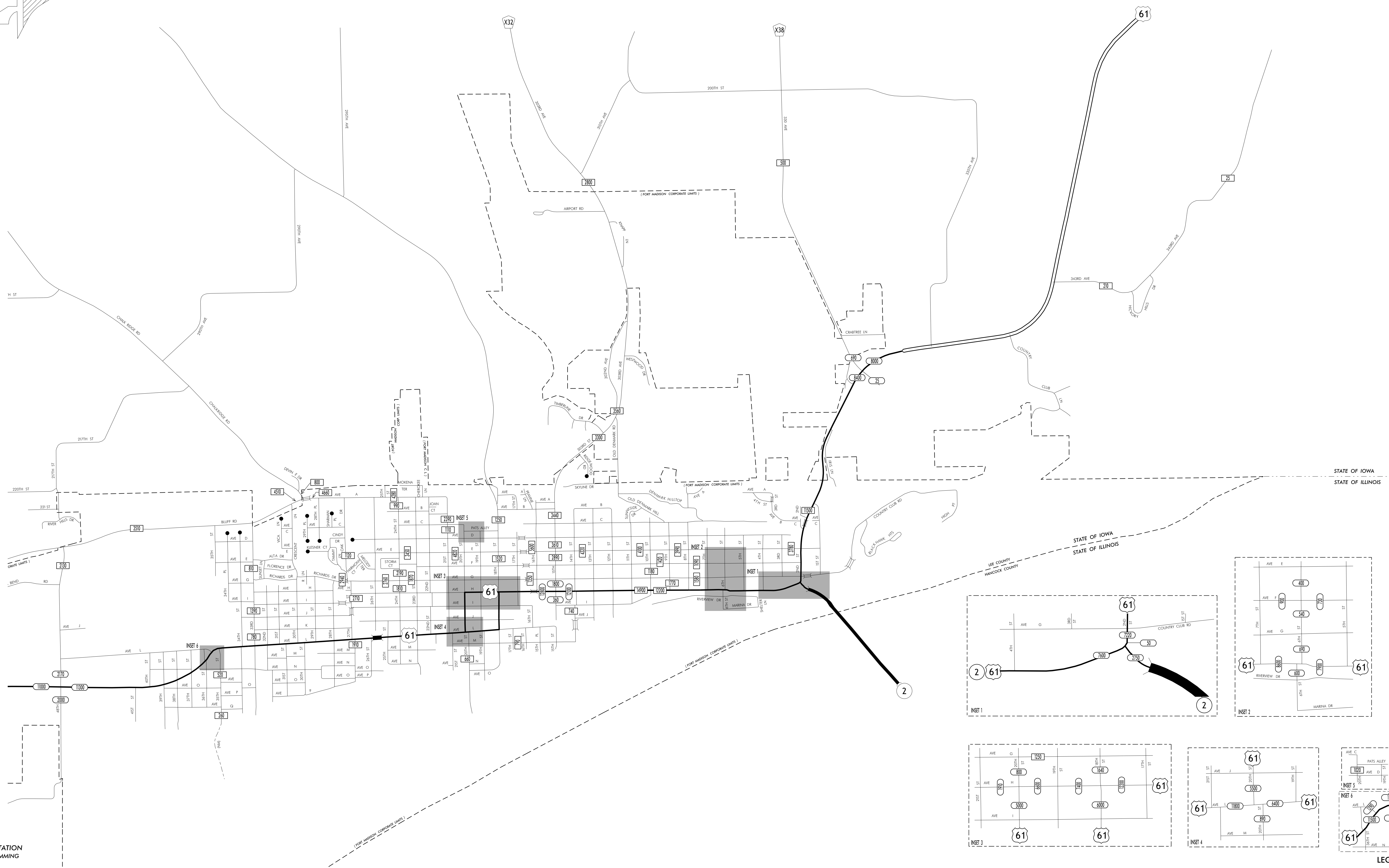
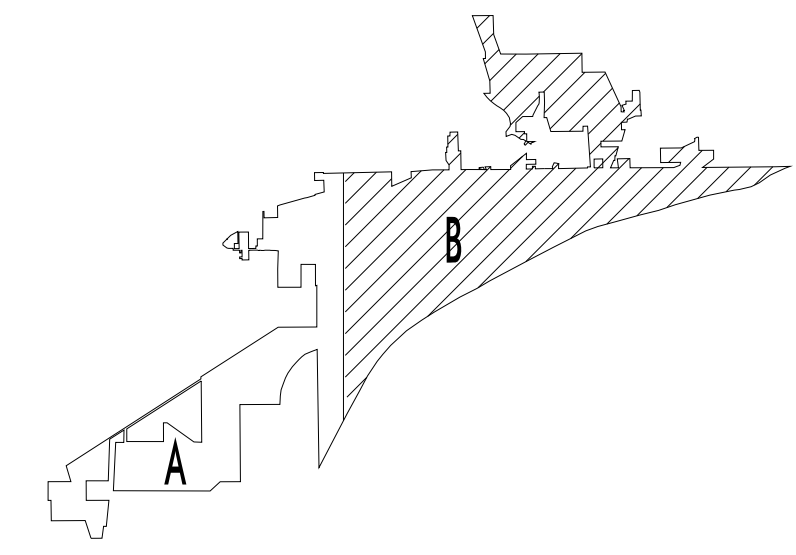


TRAFFIC FLOW MAP OF  
**FORT MADISON A**  
**LEE COUNTY**  
 2010 ANNUAL AVERAGE DAILY TRAFFIC



TRAFFIC FLOW MAP OF  
**FORT MADISON B**  
**LEE COUNTY**  
 2010 ANNUAL AVERAGE DAILY TRAFFIC



**LEGEND**  
 RECORDER ONLY   
 MANUAL COUNT