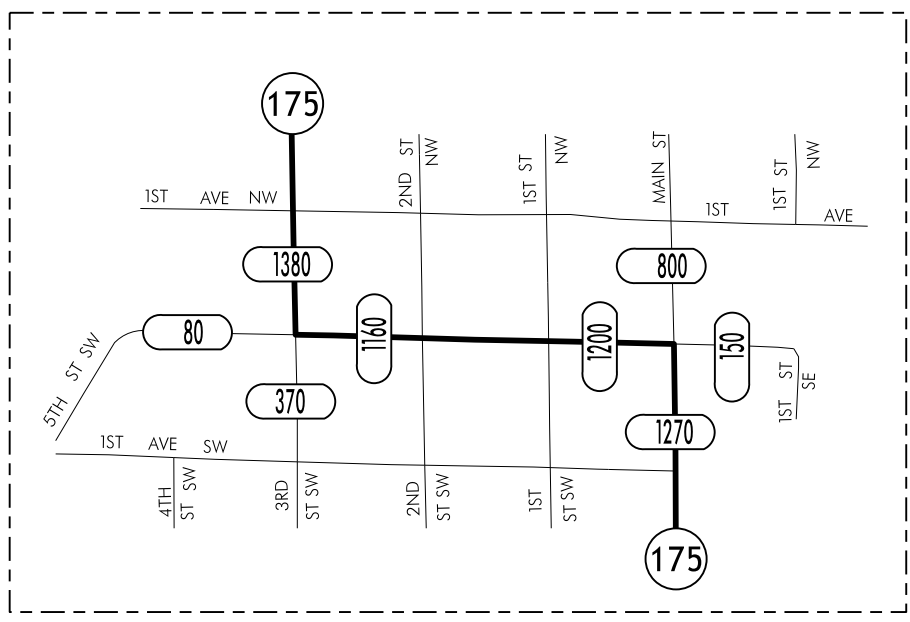
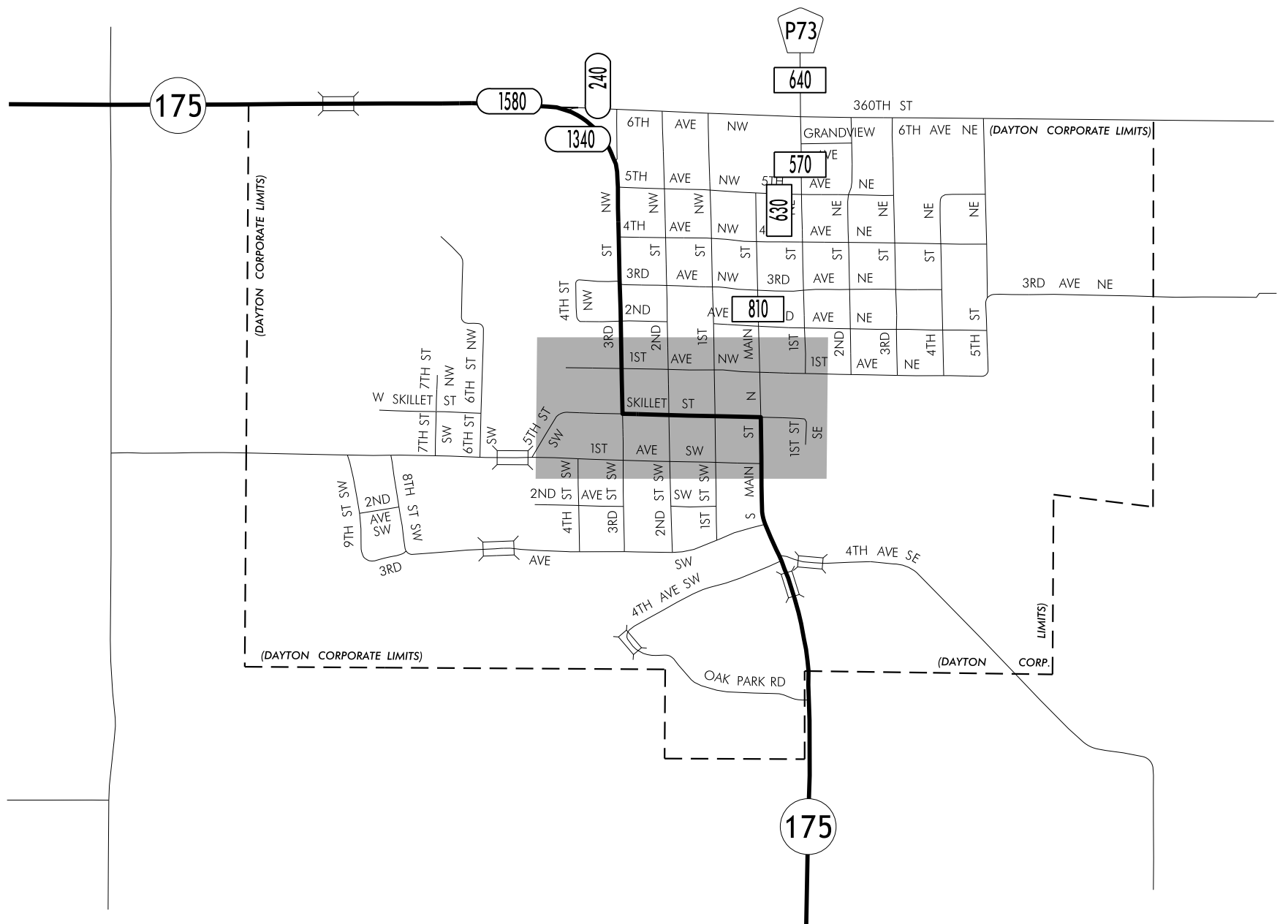
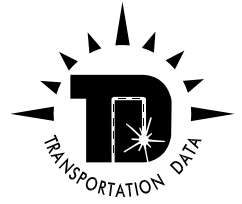


TRAFFIC FLOW MAP OF

DAYTON

WEBSTER COUNTY

2011 ANNUAL AVERAGE DAILY TRAFFIC



PREPARED BY

LEGEND

RECORDER ONLY
 MANUAL COUNT

