



Office of Bridges and Structures

Bridge Rating Manual

Issue Date: September 30, 2013



Developed By:



TABLE OF CONTENTS

CHAPTER 1 INTRODUCTION 1-1

1.1 Purpose..... 1-1

1.2 Scope..... 1-1

1.3 Definitions, Abbreviations, and Acronyms 1-1

 1.3.1 Definitions..... 1-1

 1.3.2 Abbreviations and Acronyms..... 1-1

1.4 References..... 1-2

1.5 Coordination..... 1-3

1.6 Revisions..... 1-3

CHAPTER 2 LOAD RATING CHECKING AND QA/QC..... 2-1

2.1 General Requirements..... 2-1

2.2 Load Rating Review..... 2-1

 2.2.1 Computer Program Verification..... 2-1

 2.2.2 Independent Check..... 2-1

2.3 QA/QC..... 2-1

 2.3.1 QC Review..... 2-1

 2.3.2 QA Review..... 2-1

 2.3.3 Specific Requirements..... 2-1

CHAPTER 3 LOAD RATING PROCESS 3-1

3.1 General..... 3-1

3.2 Inspection Data Used for Load Rating..... 3-1

3.3 Concepts and Load Rating Methodologies..... 3-1

3.4 New Bridge..... 3-1

 3.4.1 Ratings Performed by Iowa DOT..... 3-1

 3.4.2 Ratings Performed by Others..... 3-1

3.5 Existing Bridge..... 3-1

3.6 Rehabilitated Bridges..... 3-2

3.7 Use of Computer Software..... 3-2

CHAPTER 4 DATA COLLECTION..... 4-1

4.1 General..... 4-1

4.2 Existing Plans..... 4-1

4.3 Inspection Reports..... 4-1

4.4 Other Records..... 4-1

CHAPTER 5 GENERAL REQUIREMENTS 5-1

5.1 Condition of Bridge Members..... 5-1

5.2 Dead Loads Used to Determine Ratings..... 5-1

5.3 Sidewalk Loading or Pedestrian Loading Used to Determine Ratings..... 5-1

 5.3.1 Sidewalk Loading Using the ASR or LFR Method..... 5-1

 5.3.2 Pedestrian Loading Using the LRFR Method..... 5-1

5.4 Live Loads Used to Determine Ratings..... 5-1

 5.4.1 ASR or LFR Method..... 5-1

 5.4.2 LRFR Method..... 5-5

5.5 Wind Loads..... 5-6

5.6 Impact and Live Load Transverse Distribution..... 5-6

 5.6.1 Impact..... 5-6

 5.6.2 Live Load Transverse Distribution..... 5-6

5.7 Material Properties for Load Rating..... 5-7

 5.7.1 Structural Steel (Yield Strengths)..... 5-7

5.7.2	Steel Rivets	5-8
5.7.3	Reinforcing Steel.....	5-8
5.7.4	Prestressing Steel.....	5-8
5.7.5	Timber	5-8
5.8	Load Rating Methods.....	5-10
5.8.1	ASR and LFR Methods	5-10
5.8.2	LRFR Method.....	5-10
5.8.3	When to Use ASR, LFR, or LRFR.....	5-10
5.8.4	When to Use Field Evaluation and Documented Engineering Judgment	5-10
5.9	Legal Load Analysis.....	5-11
5.9.1	Rating bridges for Routine commercial trucks	5-11
5.9.2	Rating bridges for SHVs.....	5-11
5.10	Permit Load Analysis	5-11
5.10.1	Permit Trucks	5-11
5.11	Load Factors, Condition Factors, and System Factors.....	5-12
5.11.1	Load Factors.....	5-12
5.11.2	Condition Factor	5-12
5.11.3	System Factor.....	5-12
5.12	Load Testing.....	5-13
CHAPTER 6 REINFORCED CONCRETE DECKS		6-1
6.1	Introduction.....	6-1
6.2	Policies and Guidelines	6-1
CHAPTER 7 TIMBER DECKS.....		7-1
7.1	Introduction.....	7-1
7.2	Policies and Guidelines	7-1
CHAPTER 8 REINFORCED CONCRETE SUPERSTRUCTURES.....		8-1
8.1	Introduction.....	8-1
8.2	Policies and Guidelines	8-1
8.2.1	Reinforced Concrete Slab Bridges.....	8-1
8.2.2	ASR or LFR Method.....	8-1
8.2.3	LRFR Method	8-1
CHAPTER 9 PRESTRESSED CONCRETE GIRDER SUPERSTRUCTURE		9-1
9.1	Introduction.....	9-1
9.2	Policies and Guidelines	9-1
9.2.1	Software-Specific Iowa DOT Policy.....	9-1
9.2.2	ASR or LFR Method.....	9-3
9.2.3	LRFR Method	9-3
CHAPTER 10 STEEL SUPERSTRUCTURES.....		10-1
10.1	Introduction.....	10-1
10.2	Policies and Guidelines	10-1
10.2.1	Analysis and Rating	10-1
10.2.2	Software-Specific Iowa DOT Policy.....	10-2
10.2.3	ASR or LFR Method.....	10-3
10.2.4	LRFR Method	10-3
CHAPTER 11 STEEL TRUSS SUPERSTRUCTURE.....		11-1
11.1	Introduction.....	11-1
11.2	Policies and Guidelines	11-1
CHAPTER 12 TIMBER SUPERSTRUCTURES		12-1

12.1	Introduction.....	12-1
12.2	Policies and Guidelines.....	12-1
CHAPTER 13 CONCRETE AND MASONRY SUBSTRUCTURES		13-1
13.1	Introduction.....	13-1
13.2	Policies and Guidelines.....	13-1
CHAPTER 14 STEEL SUBSTRUCTURES.....		14-1
14.1	Introduction.....	14-1
14.2	Policies and Guidelines.....	14-1
CHAPTER 15 TIMBER SUBSTRUCTURES		15-1
15.1	Introduction.....	15-1
15.2	Policies and Procedures.....	15-1
CHAPTER 16 BRIDGE-SIZED CONCRETE BOX CULVERTS		16-1
16.1	Introduction.....	16-1
16.2	Policies and Guidelines.....	16-1
16.3	Software.....	16-1
CHAPTER 17 NON-TYPICAL BRIDGE TYPES.....		17-1
17.1	Introduction.....	17-1
17.2	Policies and Guidelines.....	17-1
CHAPTER 18 POSTING OF BRIDGES AND POSTING CONSIDERATIONS		18-1
18.1	General.....	18-1
18.2	Posting for Legal Truck Loads.....	18-1
18.3	Posting Considerations.....	18-2
18.3.1	Refined Methods of Analysis.....	18-2
18.3.2	Service III Controlling Rating.....	18-2
18.3.3	Stiffness of Traffic Barrier.....	18-3
18.4	Options for Restricting Traffic.....	18-3
18.5	Posting Documentation.....	18-3
18.5.1	Operating Rating at 3 Tons or Less (NBI Item 64).....	18-3
CHAPTER 19 LOAD RATING DOCUMENTATION		19-1
19.1	Load Rating Reported by Iowa DOT Personnel.....	19-1
19.1.1	Load Rating in a Stand-Alone Report.....	19-1
19.1.2	Load Rating as Part of an Inspection.....	19-4
19.2	Load Rating Reported by Local Public Agencies.....	19-4
19.2.1	Load Rating in a Stand-Alone Report.....	19-4
19.2.2	Load Rating as Part of an Inspection.....	19-5
APPENDIX A	1972 AASHTO TABLE 1.10.1	A-1
APPENDIX B	RATING EXISTING BRIDGES FOR SHVS (PARAMETRIC AND STATE BRIDGE STUDY).....	B-1
B.1	Findings from Parametric studies.....	B-1
B.1.1	Bridges currently posted don't need to be re-rated for SHVs.....	B-1
B.1.1.2	Bridges with operating rating higher than 45.0 Tons don't need to be rated for SHVs.....	B-3
B.2	Findings from State Bridge Study.....	B-4
B.3	Recommendations Based on Parametric and State Bridge Studies.....	B-6
APPENDIX C	USE RATIO METHOD TO GET BRIDGE RATINGS FOR SHV'S.....	C-1
APPENDIX D	EXAMPLES OF RATIO METHOD	D-1
D.1	Doesn't Need to Be Posted for SHVs After Re-rating.....	D-1

D.2	Need to Be Posted for SHVs on Primary System Only	D-1
D.3	Need to Be Posted for SHVs on both Primary and Non-primary System.....	D-1

List of Tables

Table 1.3.2. Abbreviations and Acronyms 1-2
 Table 5.4.2. Routine Commercial Traffic Rating Summary Table 5-5
 Table 5.7.5. Timber Rating Stresses for ASR Method..... 5-9
 Table 18.2.1. Legal GVW Limits for SHVs on Primary and Non-primary Systems..... 18-2

List of Figures

Figure 5.4.1-1. Legal Loads –Routine Commercial Traffic (Wheel and Axle Loads Shown in Kips)..... 5-2
 Figure 5.4.1-2. Legal Loads- Special Hauling Vehicles (Showing Axle Loads)..... 5-3
 Figure 5.4.1-3. Permit Trucks 5-4
 Figure 5.6.2. Examples of Live Load Positioning Using the LRFR Method..... 5-7
 Figure 8.2. Analysis Customization Input Form from LARS (Showing Defaults Used by IaDOT)..... 8-2
 Figure 9.2.1.1. Analysis Customization Input Form from LARS (Showing Defaults) 9-2
 Figure 10.2.2.1. Analysis Customization Input Form from LARS (Showing Defaults)..... 10-3
 Figure 19.1.1-1. SIIMS Report Form 19-2
 Figure 19.1.1-2. SIIMS Bridge Load Rating Report..... 19-3
 Figure 19.1.2.1. Upload Rating Calculations to SIIMS 19-4

Chapter 1 INTRODUCTION

1.1 Purpose

The purpose of this manual is to document the Iowa Department of Transportation (Iowa DOT) policy and procedures for load rating and posting of structures within the State of Iowa. This manual is intended to ensure that every bridge is rated as to its safe load carrying capacity. This manual presents guidelines and procedures for rating bridges and outlines the documentation required.

1.2 Scope

The requirements presented in this manual are to be followed by Iowa DOT Office of Bridges and Structures (OBS) staff as well as by consultants performing work for Iowa DOT in the load rating and posting of structures. Additionally, consultants, county personnel, and city personnel performing load ratings for counties and municipalities within the State of Iowa shall follow requirements of this document unless directed otherwise.

1.3 Definitions, Abbreviations, and Acronyms

1.3.1 Definitions

The following terms in this manual are used as defined below:

- *Bridge* – A structure, including supports, erected over a depression or an obstruction such as water, a highway, or a railway; having a track or passageway for carrying traffic or other moving loads; and having an opening measured along the centerline of the roadway of more than 20 feet between undercopings of abutments or spring lines of arches or extreme ends of openings for multiple boxes. It may also contain multiple pipes, where the clear distance between openings is less than half of the smaller contiguous opening. All structures that meet this definition do not necessarily need inspection and rating per National Bridge Inspection Standards (NBIS) requirements.
- *Governing Component* – The component of a structure with the least live load carrying capacity.
- *Inventory Level* – Generally corresponds to the rating at the design level of reliability for new bridges in the American Association of State Highway and Transportation Officials (AASHTO) Specifications, but reflects the existing bridge and material conditions with regard to deterioration and loss of section.
- *Inventory Rating* – Load ratings based on the Inventory Level, which allow comparison with the capacity for new structures and, therefore, result in a live load that can safely utilize an existing structure for an indefinite period of time.
- *Live Load Distribution Factor* – The fraction of a rating truck or lane load assumed to be carried by a structural component. The AASHTO Standard Specifications for Highway Bridges uses wheel lines whereas the AASHTO LRFD Bridge Design Specifications uses axles.
- *Load Rating* – The process of determining the live load capacity of a structure based on analysis of its current condition.
- *Operating Level* – Maximum load level to which a structure may be subjected; generally corresponds to the rating at the Operating Level of reliability in past load rating practice.
- *Operating Rating* – Load ratings based on the Operating Level, which generally describe the maximum permissible live load to which the structure may be subjected. Allowing unlimited numbers of vehicles to use the bridge at Operating Level may shorten the life of the bridge.
- *Rating Factor* – The ratio of the available capacity in excess of dead load to the live load demand.
- *Redundant* – Where multiple load paths exist so that if one element fails, alternate load paths will allow the load to be redistributed.

1.3.2 Abbreviations and Acronyms

The abbreviations and acronyms used in this manual are defined in Table 1.3.2.

Table 1.3.2. Abbreviations and Acronyms

Abbreviation	Term
AASHTO	American Association of State Highway and Transportation Officials
ADT	Average Daily Traffic
ADTT	Average Daily Truck Traffic
ASD	Allowable Stress Design
ASR	Allowable Stress Rating
BDM	Iowa DOT “Bridge Design Manual”
EOR	Engineer of Record
FCM	Fracture Critical Members
FHWA	Federal Highway Administration
Iowa DOT	Iowa Department of Transportation
LFD	Load Factor Design
LFR	Load Factor Rating
LRFD	Load and Resistance Factor Design
LRFR	Load and Resistance Factor Rating
MBE	AASHTO “Manual for Bridge Evaluation”
NBI	National Bridge Inventory
NBIS	National Bridge Inspection Standards
NCHRP	National Cooperative Highway Research Program
NHS	National Highway System
OBS	Iowa DOT Office of Bridges and Structures
QA	Quality Assurance
QC	Quality Control
SI&A	Structure Inventory and Appraisal
SIIMS	Structure Inventory and Inspection Management System

1.4 References

The user is encouraged to refer to the following references for additional information when performing a load rating:

- AASHTO Publications
 - Standard Specifications for Highway Bridges, 17th Edition
 - AASHTO LRFD Bridge Design Specifications, 6th Edition
 - The Manual for Bridge Evaluation, 2nd Edition (MBE)
- Iowa DOT Publications
 - [Bridge Design Manual \(BDM\)](#)
 - [Bridge Inspection Manual](#)
 - [Iowa Truck Information Guide](#)
- FHWA Policy, Guidance, Information and Publications
 - [Publication No. FHWA-IF-09-014, February 2009, “Load Rating Guidance and Examples for Bolted and Riveted Gusset Plates in Truss Bridges”](#)
 - Manual on Uniform Traffic Control Devices

[Recording and Coding Guide for the Structure Inventory and Appraisal of the Nation's Bridges - Errata Sheet \(06/28/2012\)](#)

[Revisions to the Recording and Coding Guide for the Structure Inventory and Appraisal of the Nation's Bridges \(Coding Guide\) Items 63 and 65, Method Used to Determine Operating and Inventory Rating \(11/15/2011\)](#)

[Revisions to the Recording and Coding Guide for the Structure, Inventory and Appraisal of the Nation's Bridges \(Coding Guide\) - Item 31, Design Load, and Items 63 and 65, Method Used to Determine Operating and Inventory Ratings \(02/02/2011\)](#)

[Oversight of Bridge Load Ratings and Postings \(02/22/2007\)](#)

[Revisions to Items 63-66 to Support Load Reporting by Rating Factor \(03/22/2004\)](#)

[Recording and Coding Guide for the Structure Inventory and Appraisal of the Nation's Bridges \(12/11/1995\)](#)

Bridge Load Ratings for the National Bridge Inventory (12/22/1993)

Bridge Load Ratings for the National Bridge Inventory (11/05/1993)

- Other

American Institute of Steel Construction (AISC), 1990, Iron and Steel Beams 1873 to 1952

[NCHRP Report 725, Guidelines for Analysis Methods and Construction Engineering of Curved and Skewed Steel Girder Bridges](#)

[NCHRP Report 406, Redundancy in Highway Bridge Superstructures](#)

[NCHRP Report 458, Redundancy in Highway Bridge Substructures](#)

[23 CFR 650 Subpart C, National Bridge Inspection Standards](#)

[Iowa Code Section 321.463](#)

1.5 Coordination

Users should direct questions concerning the applicability or requirements of the referenced documents to the State Bridge Maintenance and Inspection Engineer.

1.6 Revisions

Revisions may be the result of changes in Iowa DOT specifications, FHWA requirements, or AASHTO requirements.

Users are invited to send suggestions for revisions to the Office of Bridges and Structures, Maintenance Section. Suggestions need to be written with identification of the problem, the recommended revision, and the reason for the recommendation.

All revisions affecting OBS policy will be approved by the Assistant Bridge Engineer and Bridge Maintenance Engineer.

After this manual is complete, approved policy and editorial revisions will be indicated with a line in the margin of the applicable page.

Chapter 2 LOAD RATING CHECKING AND QA/QC

2.1 General Requirements

The goal of Iowa DOT is to provide a safe transportation system. Both in-house and consultants' load rating results should be checked for accuracy as part of the Quality Assurance (QA)/Quality Control (QC) process.

2.2 Load Rating Review

When load ratings require review based on the Load Rating Evaluation Form in the Structure Inventory and Inspection Management System (SIIMS), checks shall be performed by an engineer or engineer intern qualified to do load rating.

2.2.1 Computer Program Verification

Whenever possible, perform longhand verification of a portion of the computer analysis to satisfy the load rater or checker that the computer program is accurate and performing as intended.

2.2.2 Independent Check

An independent check of the rating should be performed whenever possible. When computer programs are used, the checker should verify all input data, verify that the summary of load capacity information accurately reflects the analysis, and be satisfied with the accuracy and suitability of the computer program.

2.3 QA/QC

2.3.1 QC Review

A QC review of the load rating results must be performed by a professional engineer licensed in the State of Iowa. All load ratings must be certified by a professional engineer licensed in the State of Iowa.

2.3.2 QA Review

A QA review shall be performed according to in-house procedures for ratings performed by Iowa DOT personnel and according to the consultant's policies for ratings performed by a consultant.

2.3.3 Specific Requirements

2.3.3.1 Iowa DOT Ratings QA Review

For ratings performed by Iowa DOT personnel, on average two bridge ratings should be reviewed every month.

2.3.3.2 County/Municipality Ratings QC Review

Ratings performed by county/municipal personnel shall comply with Iowa DOT [Instructional Memorandum 2.120](#).

2.3.3.3 Consultant Ratings

Consultants are responsible for the QA/QC of their work, checking both accuracy and completeness.

Chapter 3 LOAD RATING PROCESS

3.1 General

The load rating work discussed in this manual is covered by the specifications in the current version of the MBE and as modified by this manual. The load rating must be performed under the supervision of an engineer by an engineer or engineering intern.

3.2 Inspection Data Used for Load Rating

A complete list of inspection data required for the load rating of a bridge would be too voluminous to include in this manual. Therefore, the user is directed to the MBE, Section 4, and to Iowa DOT's Bridge Inspection Manual for requirements.

3.3 Concepts and Load Rating Methodologies

The following concepts are to be applied to the load rating process:

Members of substructures need not be routinely live load rated. Substructure elements such as pier caps and columns should be rated in situations where the engineer has reason to believe that their capacity may govern the load capacity of the entire bridge.

Using engineering judgment, all superstructure spans and live load carrying components of the span shall be load rated for moment, shear, and axial (where appropriate) until the governing component is established. If the engineer, using engineering judgment, determines that certain components will not control the rating, then a full investigation of the non-controlling elements is not required.

For most structures, the governing rating shall be the lesser of the shear capacity or moment capacity of the critical component. For more complex structures, other forces such as axial or principal shear may control the rating.

Iowa DOT typically uses LARS Bridge by Bentley; however, the load rater may use other software, spreadsheets, and hand calculations as necessary to perform the rating.

When consultants perform load ratings, they will follow the requirements of this manual and the current MBE. Consultant load ratings shall be signed and sealed by a professional engineer registered in the State of Iowa. The consultant shall have QC procedures in place.

3.4 New Bridge

3.4.1 Ratings Performed by Iowa DOT

When load rating the structure, perform the load rating per the Load and Resistance Factor Rating (LRFR) method. For a new bridge, the Engineer of Record (EOR) shall either submit the LARS input file (if it meets the parameters to be load rated by LARS) or load rate the structure by other means if it is a "non-standard" type of structure.

3.4.2 Ratings Performed by Others

When load rating the structure, perform the load rating per the LRFR method. For a new bridge, the EOR shall either submit the completed BARSINPUT.XLT (if it meets the parameters of the Excel file) or load rate the structure by other means if it is a "non-standard" type of structure. If the consultant does not have a copy of this spreadsheet from a previous project, they should obtain it from OBS. The completed Excel file or rating calculations shall be submitted at the same time the final bridge design calculations are submitted to Iowa DOT.

3.5 Existing Bridge

Refer to Chapters 6 through 17 of this manual, inclusive, for Iowa DOT's policies on rating methods to use for the various structural types.

An existing load rating performed utilizing the Allowable Stress Rating (ASR) or the Load Factor Rating (LFR) method does not have to be reanalyzed with newer methods.

When an existing structure with an ASR requires reanalysis, the structure should be load rated using the LFR or the LRFR method.

3.6 Rehabilitated Bridges

Prior to developing the scope of work for bridge widening and/or rehabilitation projects, OBS or its consultant will review the inspection report(s) and the existing load rating to determine the suitability of the bridge project.

If the existing load rating is inaccurate or was performed using an older method (for example, ASR), a new load rating shall be performed for the existing bridge in accordance with this manual. All bridge widening or rehabilitation (e.g. deck replacement, beam replacement) projects shall be rated in accordance with the current MBE.

If the bridge does not have an Operating load rating factor greater than or equal to 1.25 prior to an overlay and/or retrofit rail installation, the bridge's Operating load capacity must be checked to verify that the Operating Capacity is above the legal load limits and that the bridge does not require posting with the overlay and/or retrofit rail.

3.7 Use of Computer Software

The use of in-house and/or commercial computer software and spreadsheets is encouraged to aid in the load rating calculations. The load rater and checker are responsible for using the software and/or spreadsheets appropriately, interpreting the results appropriately, and performing independent checks as required.

Internally, OBS personnel utilize the following programs and spreadsheets to load rate structures:

- Commercial Software
 - LARS/Bridge Modeler** – This software package can be used to rate steel girder, prestressed girder, concrete slab, timber beam, and truss bridges using the ASR, LFR, or LRFR methods.
 - BrR** – This software package can be used to load rate steel girder, prestressed girder, concrete slab, timber beam, and truss bridges using the ASR, LFR, or LRFR methods.
 - CulvertCalc** – this software can be used for concrete culvert box load rating.
- Spreadsheets
 - BARSINPUT** – This spreadsheet is used to generate a LARS input file.

Chapter 4 DATA COLLECTION

4.1 General

The collection of relevant and pertinent existing data about the structure is required to perform the load rating. The available information for a specific bridge may be assembled from many different sources or may rely exclusively on inspection and field measurements when other information does not exist. It is the rating engineer's responsibility to determine the reliability and applicability of all available information used to support the rating.

4.2 Existing Plans

Existing plans are used to determine loads, bridge geometry, and section and material properties. Such plans include as-bid plans, as-built plans, shop drawings, and repair plans. Design plans, also referred to as as-bid plans, are created by the designer and used as a contract document for bidding and constructing the project. Construction record plans, also referred to as as-built plans, are contract design plans that have been modified to reflect changes made during construction. Changes from the as-bid plans during fabrication may not be represented in the as-built plans, but would be documented in the shop drawings. Repair plans that document repairs performed during the life of the structure may also be available. Plans may not exist for some structures, and in these cases, field measurements will be required.

4.3 Inspection Reports

Prior to performing a load rating, inspection reports must be reviewed to determine if there is deterioration or damage that needs to be accounted for in the rating. In addition, inspection reports may contain pertinent measurements of members or may note if additional loading is present. Over the life of the structure, undocumented repairs and/or changes during construction or erection may have taken place without the appropriate documentation. These changes may be discovered and documented within the inspection report. Inspection report photos and measurements can also be used to verify members and measurements in existing plan documents.

Photographs and field measurement of losses should be reported in the inspection report. It is the responsibility of the rating engineer to determine the extent of the losses and their impact on the load carrying capacity of the structure.

4.4 Other Records

Other structure history records may exist that will provide additional information pertinent to the load rating. These records may override specifications or measurements that are reported in the as-bid plans or repair plans. Examples of pertinent records are:

- Correspondence
- Field Testing Reports
- Maintenance History
- Material Test Reports
- Mill Reports
- Posting History

Chapter 5 GENERAL REQUIREMENTS

5.1 Condition of Bridge Members

The condition and extent of deterioration and defects of structural components of the bridge shall be considered in the rating computations. This information should be based on a recent thorough field investigation.

5.2 Dead Loads Used to Determine Ratings

The dead load unit weights given in the current AASHTO LRFD Bridge Design Specifications shall be used in the absence of more precise information. However, normal weight reinforced concrete shall be assumed to have a unit weight of 150 pcf unless it is known otherwise.

5.3 Sidewalk Loading or Pedestrian Loading Used to Determine Ratings

5.3.1 Sidewalk Loading Using the ASR or LFR Method

Per the MBE, Article 6B.6.2.4, “Sidewalk loadings used in calculations for safe load capacity ratings should be probable maximum loads anticipated. Because of site variations, the determination of loading to be used will require engineering judgment, but in no case should it exceed the value given in AASHTO Standard Specifications. The Operating Level should be considered when full truck and sidewalk live loads act simultaneously on the bridge.”

5.3.2 Pedestrian Loading Using the LRFR Method

Per the MBE, Article 6A.2.3.4, “Pedestrian loads on sidewalks need not be considered simultaneously with vehicular loads when load rating a bridge unless the rating engineer has reason to expect that significant pedestrian loading will coincide with the maximum vehicular loading. Pedestrian loads considered simultaneously with vehicular loads in calculations for load ratings shall be the probable maximum loads anticipated, but in no case should the loading exceed the value specified in LRFD Design Article 3.6.1.6.”

5.4 Live Loads Used to Determine Ratings

5.4.1 ASR or LFR Method

The following list provides the live loads used by Iowa DOT when rating a structure using either the ASR or LFR method. For application of the live loads, refer to other portions of this chapter.

- **Rating Live Load**
 - HS20-44 Vehicle (See the MBE, Figures 6B.6.2-1 and 6B.6.2-2)
- **Legal Loads**
 - Routine Commercial Traffic (Figure 5.4.1-1)
 - ❖ Type 4
 - ❖ Type 3S3A
 - ❖ Type 3-3
 - ❖ Type 3S3B
 - ❖ Type 4S3
 - Specialized Hauling Vehicles (SHVs, Figure 5.4.1-2)
 - ❖ SU7
 - ❖ SU6
 - ❖ SU5
 - ❖ SU4
- **Permit Trucks (See Figure 5.4.1-3)**
 - 90 kip Six-Axle Vehicle
 - 136 kip (A) Seven-Axle Truck with Triple-Axle Configuration

- 136 kip (B) Seven-Axle Truck with a Quad-Axle Configuration
- 156 kip Eight-Axle Truck with a Quad-Axle Configuration

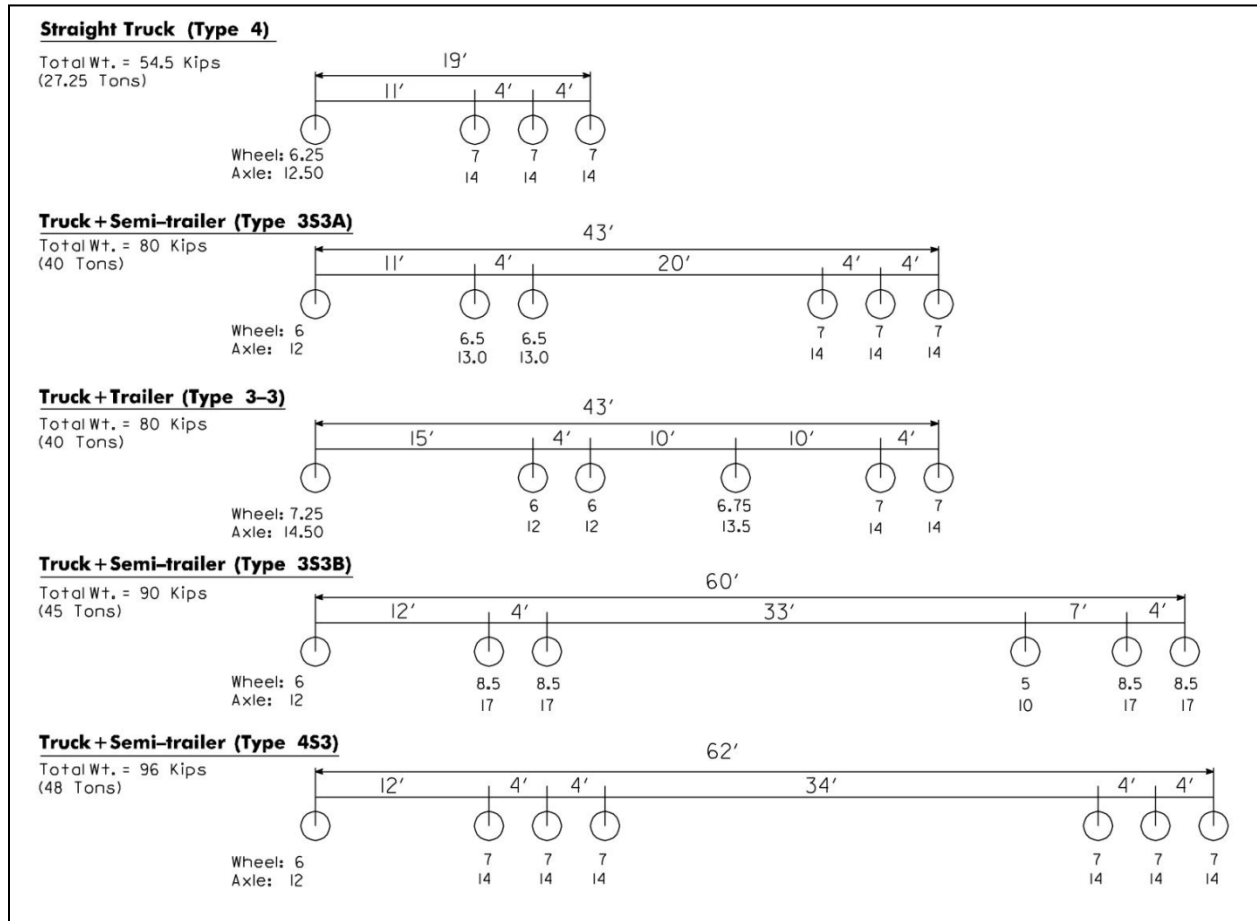


Figure 5.4.1-1. Legal Loads –Routine Commercial Traffic (Wheel and Axle Loads Shown in Kips)

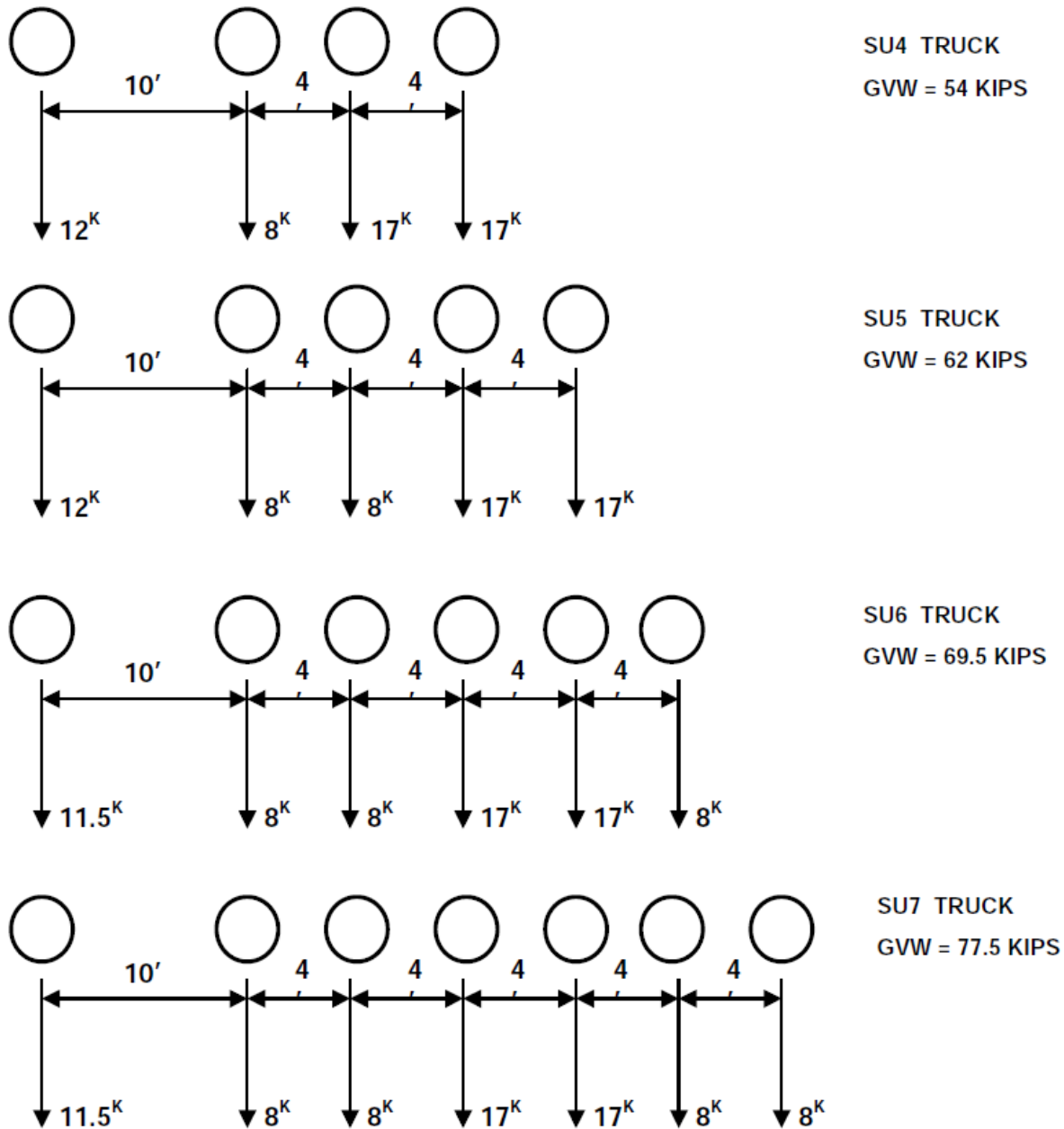


Figure 5.4.1-2. Legal Loads- Special Hauling Vehicles (Showing Axle Loads)

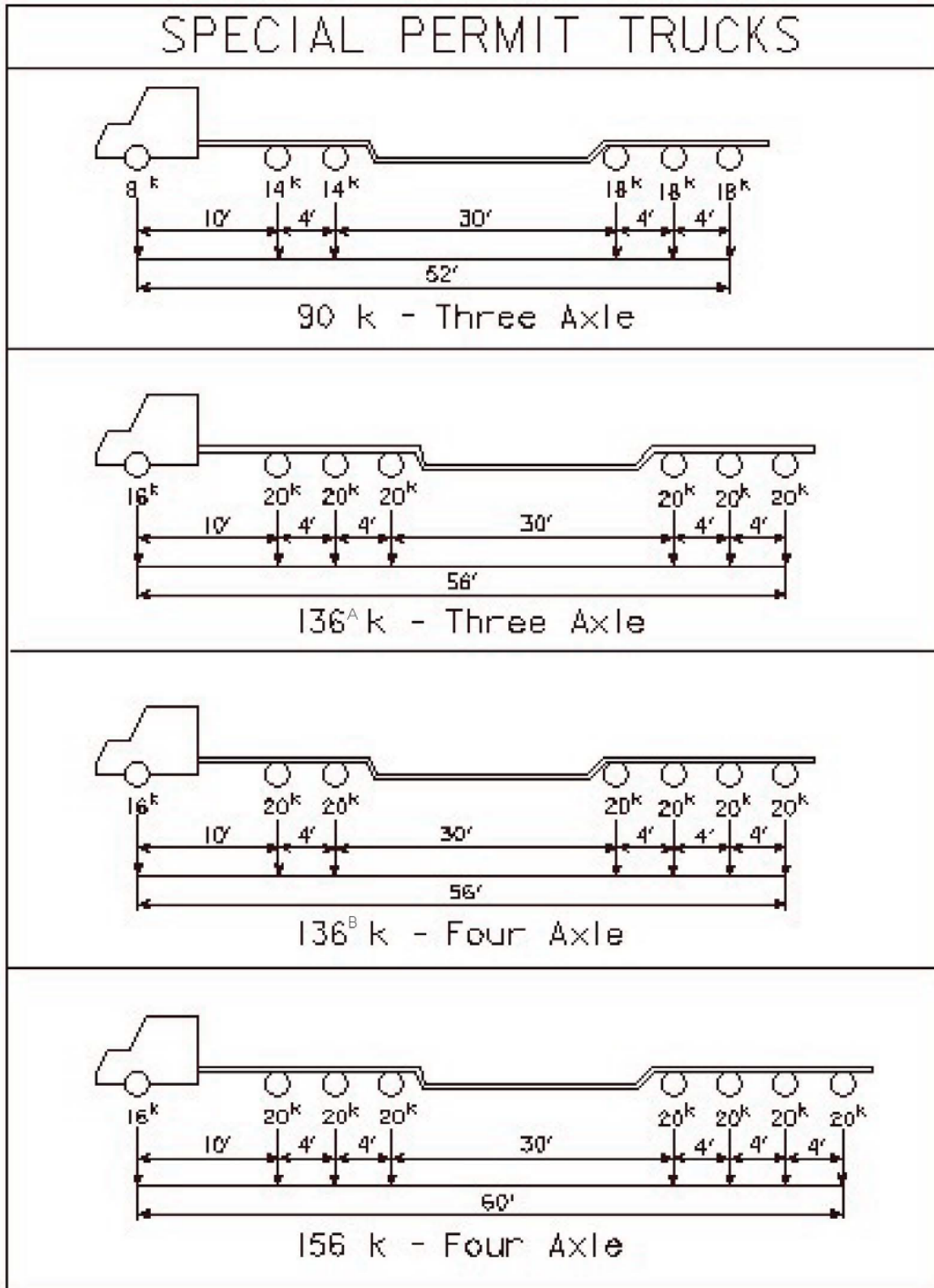


Figure 5.4.1-3. Permit Trucks

5.4.2 LRFR Method

The following live loads shall be used when rating a structure using the LRFR method:

- **Design Live Load**
 - HL-93 Vehicle (See the MBE, Figure C6A-1)
- **Legal Loads**
 - Routine Commercial Traffic (Figure 5.4.1-1)
 - ❖ Type 4
 - ❖ Type 3S3A
 - ❖ Type 3-3
 - ❖ Type 3S3B
 - ❖ Type 4S3
 - ❖ Lane-Type Legal Load
 - For Negative Moments and Reactions at Interior Supports (See the MBE, Article 6A.4.4.2.1a, the second bullet).
 - For Spans Greater Than 200 Feet (See the MBE, Article 6A.4.4.2.1a, the third bullet).
 - For bridges with ADTT <500, the 0.2 klf lane load may be excluded, but the 0.75 factor shall be changed to 1.0.

Routine Commercial Traffic shall be rated for the cases as summarized in Table 5.4.2.

Table 5.4.2. Routine Commercial Traffic Rating Summary Table

	Negative Moment and Reactions at Interior Supports	Positive Moment
Spans <= 200 ft	1) State Legal Trucks ^a Applied Separately* 2) Lane-Type Legal Load Model (A lane load of 0.2 klf combined with two State Legal Trucks ^a multiplied by 0.75 heading in the same direction separated by 30 ft)*	1) State Legal Trucks ^a Applied Separately*
Spans > 200 ft	1) State Legal Trucks ^a Applied Separately* 2) Lane-Type Legal Load Model (A lane load of 0.2 klf combined with two State Legal Trucks ^a multiplied by 0.75 heading in the same direction separated by 30 ft)* 3) Lane-Type Legal Load Model (State Legal Trucks ^a multiplied by 0.75 combined with a lane load of 0.2 klf)**	1) State Legal Trucks ^a Applied Separately* 2) Lane-Type Legal Load Model (State Legal Trucks ^a multiplied by 0.75 combined with a lane load of 0.2 klf)**

* Load cases applied for all span lengths

** This load case only apply to spans > 200ft (e.g. For a four span bridge with spans of 250'-100'-250'-100', this load shall only apply to the two 250 ft spans)

^a State Legal Trucks are used to refer to Routine Commercial Traffic Trucks shown in Figures 5.4.1-1

- Specialized Hauling Vehicles (SHVs, Figure 5.4.1-2)
 - ❖ SU7
 - ❖ SU6
 - ❖ SU5
 - ❖ SU4
- **Permit Trucks (See Figure 5.4.1-3)**
 - 90 kip Six-Axle Vehicle
 - 136 kip (A) Seven-Axle Truck with Triple-Axle Configuration
 - 136 kip (B) Seven-Axle Truck with a Quad-Axle Configuration
 - 156 kip Eight-Axle Truck with a Quad-Axle Configuration

5.5 Wind Loads

Wind loads are not normally considered in load rating unless special circumstances justify otherwise. However, the effects of wind load on special structures such as movable bridges, long-span bridges, and other high-level bridges should be considered in accordance with applicable standards.

5.6 Impact and Live Load Transverse Distribution

5.6.1 Impact

The live load impact used for rating the Design Live Load and the Legal Live Load shall be as specified in the MBE. Section 6, “Part A” shall be used for the determination of the impact when using the LRFR method, and Section 6, “Part B” shall be used for the determination of the impact when using the ASR and LFR methods. Iowa DOT does not recommend using the reduced impact in Table C6A4.4.3-1.

For live load impact applied to Permit Loads, see Section 5.9 of this manual.

5.6.2 Live Load Transverse Distribution

The transverse live load distribution used for rating shall be as specified in the MBE, Section 6, “Part A” for the LRFR method and Section 6, “Part B” for the ASR and LFR methods.

When a refined method of analysis is used for the transverse distribution of live load (for example, methods other than the approximate method), the truck and lane load shall be positioned to maximize the force effect being analyzed. Positioning of the truck and uniform lane load within a design lane or adjacent lane is illustrated in Figure 5.6.2 for roadway widths greater than 24 feet when using the LRFR method. The live load positioning in this figure also pertains to application of the HS20-44 vehicle, with the exception that the truck and lane would be rated separately. Positioning of truck and uniform lane loads for roadway widths less than 24 feet shall be as directed in the MBE.

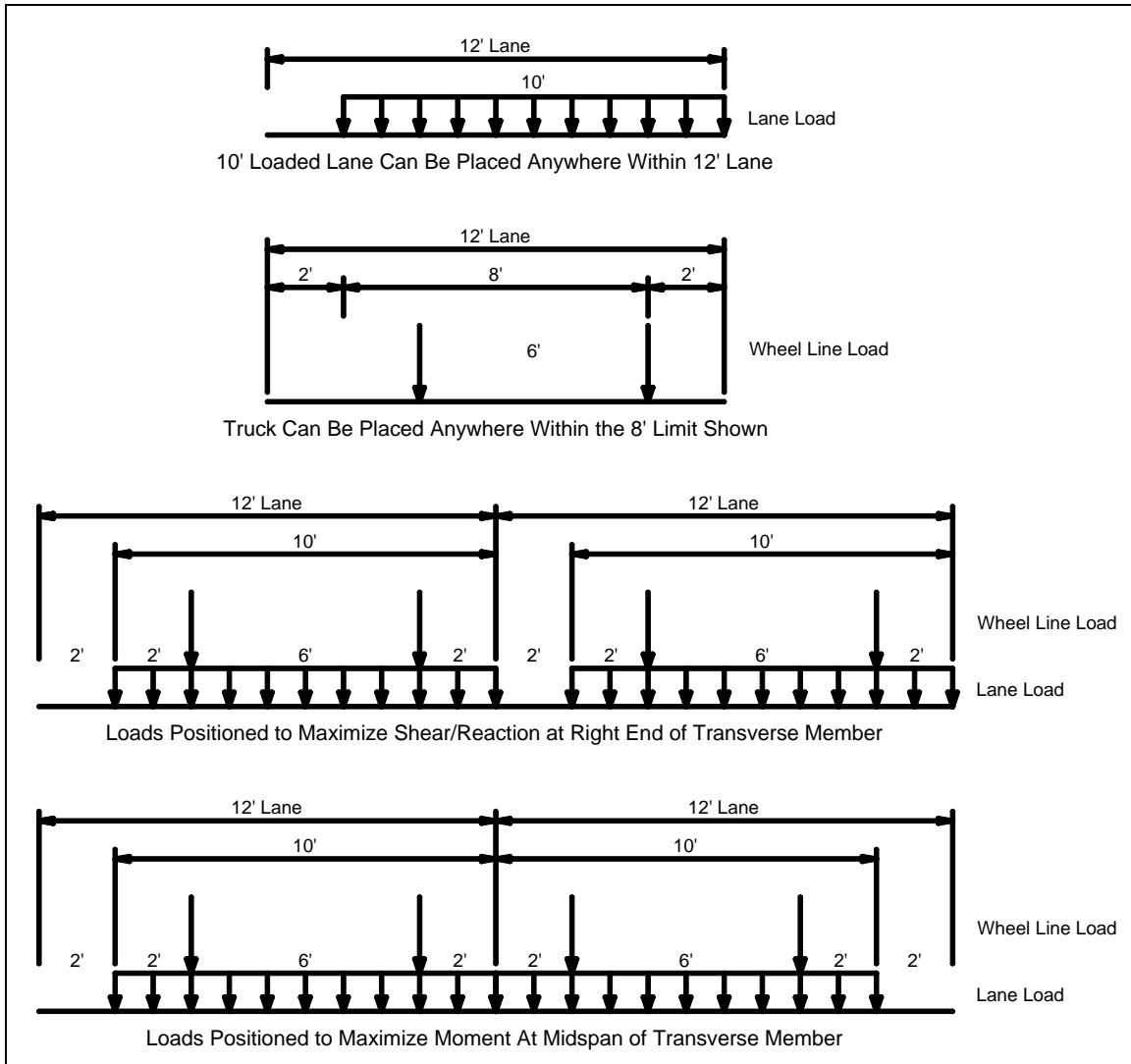


Figure 5.6.2. Examples of Live Load Positioning Using the LRFR Method

5.7 Material Properties for Load Rating

The material properties used for the ratings of all structures shall be based on the material grade or design stresses specified in the plans. In the absence of plans, or if the plans do not specify the material grades or design stresses, then the load rater must use other means to determine the appropriate material properties based on the information available. Typically, this information is based on the year the bridge was constructed and/or designed and can be found in the MBE, Section 6. Also, if the edition of the AASHTO bridge design specification is noted in the plans, this reference can provide useful information that could be used in determining the material properties or in helping to verify the material properties obtained from another source.

The following values are used by Iowa DOT and should be used by the load rater for the materials noted below unless otherwise shown in the design plans, or known by other means.

5.7.1 Structural Steel (Yield Strengths)

The values for structural steel are as follows:

- A7 Steel
Prior to Year 1934 – 30 ksi

- After Year 1934 – 33 ksi
- For Unknown Grade
 - Prior to Year 1905 – 26 ksi
 - Year 1905 to Year 1936 – 30 ksi
 - Year 1936 to Year 1962 – 33 ksi
 - After Year 1962 – 36 ksi

5.7.2 Steel Rivets

For values for steel rivets, refer to the MBE, Table 6A.6.12.5.1-1. The rater shall take note that these values were updated in the “2011 Interim Revisions to the Manual for Bridge Evaluation.”

5.7.3 Reinforcing Steel

The values for reinforcing steel are as follows:

- Prior to Year 1905 – 26 ksi
- Year 1905 to Year 1944 – 33 ksi
- Year 1944 to Year 1980 – 40 ksi
- After Year 1980 – 40 ksi. Most designs used 60 ksi reinforcing steel during this time, but without knowing for sure, conservatively assume 40 ksi.

5.7.4 Prestressing Steel

Where the tensile strength of the prestressing strand is unknown, the values specified in the MBE, Table 6A.5.2.3-1, based on the date of construction may be used. Stress-relieved strands should be assumed when strand type is unknown.

5.7.5 Timber

The values for timber are as follows:

- Prior to Year 1972 – See Table 5.7.5 for rating stresses. This table is based on the 1972 AASHTO Interims. For reference purposes, a copy of the 1972 AASHTO Table 1.10.1 is provided in Appendix A.
- Year 1972 to October 2010 – Refer to the latest edition of the AASHTO Standard Specifications for Highway Bridges.
- After October 2010 – Refer to the current edition of the AASHTO LRFD Bridge Design Specifications.

Table 5.7.5. Timber Rating Stresses for ASR Method

Yr	Member	Treatment	Grading	F _b		F _t		F _v		F _c (Perpendicular)		F _c (Parallel)	
				I	O	I	O	I	O	I	O	I	O
Prior to 1960	Beams and Stringers ^{1,4}	Treated	Graded or Ungraded (Assume Select Str.)	1600	2128	950	1264	128	170	258	348	1000	1330
		Untreated	Ungraded Falsework Str.	1200	1596	-	-	80	106	260	346	1000	1330
	Floor Planks ^{2,3}	Treated	Graded or Ungraded (Assume No. 1 Str.)	1496	1990	840	1117	184	245	258	343	875	1164
		Untreated	Ungraded Falsework Str.	1200	1596	-	-	80	106	260	346	1000	1330
	Posts and Timbers ^{1,4}	Treated	Graded or Ungraded (Assume Select Str.)	1500	1995	1000	1330	128	170	258	343	1092	1452
		Untreated	Ungraded Falsework	1200	1596	-	-	80	106	260	346	1000	1330
1960 to around 1972	Beams and Stringers ^{1,4}	Treated	Graded Dense Select Str.	1900	2427	1100	1463	128	170	305	406	1183	1573
		Treated	Ungraded (Assume Select Str.)	1600	2128	950	1264	128	170	258	343	1000	1330
		Untreated	Ungraded Falsework Str.	1200	1596	-	-	80	106	260	346	1000	1330
	Floor Planks ^{2,5}	Treated	Graded or Ungraded (Assume No. 1 Str.)	1496	1990	840	1117	184	245	258	343	875	1164
		Untreated	Ungraded Falsework Str.	1200	1596	-	-	80	106	260	346	1000	1330
	Posts and Timbers ^{1,4}	Treated	Graded or Ungraded (Assume Select Str.)	1500	1995	1000	1330	128	170	258	343	1092	1452
		Untreated	Ungraded Falsework	1200	1596	-	-	80	106	260	346	1000	1330

Notes:

Stress units = psi

I = Inventory

O = Operating

¹ Values have been adjusted for wet condition, beams, stringers, and posts per 1972 AASHTO Interim, Lumber Stresses, Table 1.10.1, footnote 7.

² Values have been adjusted for wet condition, floor plank per 1972 AASHTO Interim, Lumber Stresses, Table 1.10.1, footnote 6.

³ Values have been adjusted for flat usage per 1972 AASHTO Interim, Lumber Stresses, Table 1.10.1, footnote 4.

⁴ Values have been adjusted for split equal to $\frac{3}{4}$ x Narrow face: F_v multiplier = 1.5, stringers, beams, and posts per 1972 AASHTO Interim, Lumber Stresses, Table 1.10.1, footnote 8.

⁵ Values have been adjusted for no split; F_v multiplier = 2.0, floor plank per 1972 AASHTO Interim, Lumber Stresses, Table 1.10.1, footnote 8.

5.8 Load Rating Methods

5.8.1 ASR and LFR Methods

The HS20-44 live load (truck and lane load) shall be used as the rating live load. The truck and lane load shall be rated separately at the Inventory and Operating Levels, and the controlling rating between the truck and lane loadings shall be reported. It is recommended that the bridge also be rated for the Legal Trucks if it does not take much more effort to do so, such as would be the case if the bridge is a type easily rated using a computer software package.

Existing bridges with HS20 Operating Rating below 45 Tons and not currently posted shall be re-rated for SHVs. One posting tonnage would be used for all types of single unit trucks, including SHVs. Bridges only need to be rated for one type of SHV that could potentially control the posting (see Appendix B, C and D for rating bridges for SHVs).

For spans over 200 feet in length, the Legal Loads shall be rated according to the MBE, Article 6B.7.2.

5.8.2 LRFR Method

The HL-93 vehicle shall be used as the design live load and shall be rated at the Inventory and Operating Level. If the Inventory Rating Factor for the HL-93 vehicle is below 1.0, the structure shall also be rated for the Iowa Legal Loads. Although not required, if the Inventory Rating Factor for the HL-93 vehicle is greater than 1.0, it is recommended that the bridge also be rated for the Legal Trucks (Including SHVs) if it does not take much more effort to do so, such as would be the case if the bridge happens to be a type easily rated using a computer software package. All structures are required to be rated for Permit Loads.

All ratings shall be expressed in terms of rating factors for all vehicle types rounded to the nearest two decimal places.

5.8.3 When to Use ASR, LFR, or LRFR

All bridges, other than timber type, designed prior to October 1, 2010, or built or rehabilitated since 1994 shall be rated using the LFR or the LRFR method. All bridges designed after October 1, 2010, shall be rated using the LRFR method.

Timber decks, superstructures, and substructures built before October 1, 2010, shall use the ASR or LRFR method as there is no LFR method for this type of bridge.

Masonry including stone, concrete block or clay brick may be rated using the ASR method.

5.8.4 When to Use Field Evaluation and Documented Engineering Judgment

Field evaluation and documented engineering judgment can be used in Operating and Inventory Ratings when the following criteria are satisfied:

- Plans are not available for reinforced/prestressed concrete structures.
- Severe deterioration is found in superstructure (includes reinforced/prestressed concrete, steel, and timber superstructures) or substructures. To use this method, the superstructure/substructure condition rating shall not be higher than three.

Documentation of engineering judgment must include rating calculations for the critical locations. These calculations are a baseline that should be used to explain how engineering judgment was used to determine the load ratings. All reasonable efforts should be taken to base the Inventory and Operating Ratings on calculated values.

5.9 Legal Load Analysis

5.9.1 Rating bridges for Routine commercial trucks

Bridges are rated for routine commercial trucks at operating level. Load factors are recommended by MBE Table 6A.4.4.2.3a-1 and Section 6B.4.3 for LRFR and LFR respectively.

5.9.2 Rating bridges for SHVs

Rating bridges for SHVs is a relatively new requirement from FHWA. Since it is not possible to re-rate the entire inventory all at once, Iowa DOT carried out a parametric and state bridge study (See Appendix B) to prioritize the rating work. Study results and recommendations are summarized as the following:

1. Bridges that are currently posted don't need to be re-rated for SHVs. Current posting is considered acceptable. However, when bridge re-rating is warranted, the re-rating should include SHVs. The following statement should be included in the comments field of the Load Rating Report: *"Based on a parametric study by the D.O.T Office of Bridges and Structures, this bridge does not need to be rated for Special Hauling Vehicles (SHV) because the current posted limit envelopes SHVs. Any future re-rating performed should include analysis of SHVs. SHVs must be considered when determining the posting limits during future re-rating"*.
2. Bridges with HS20 Operating Rating \geq 45.0 Tons would have enough capacity for SHVs and don't need to be re-rated for SHVs. The following statement should be included in the comments field of Load Rating Report: *"Based on a parametric study by the D.O.T Office of Bridges and Structures, this bridge does not need to be rated for Special Hauling Vehicles (SHV) because the Operating Rating is greater than 45 tons. Any future re-rating performed must include analysis of SHVs"*.
3. Bridges with HS20 Operating Rating $<$ 45.0 Tons and not currently posted must be rated and possibly posted for SHVs following the suggested time-line:
 - Group 1, simple span beam type bridges and multi-span PPCBs, re-rate for SHVs before 12/31/2016
 - Group 2, multi-span bridges and simple span special bridges (e.g., arch, truss, and etc.), re-rate for SHVs before 12/31/2020
 - Any bridge, if re-rating is warranted, re-rating must include SHVs.
4. For Group 1 bridges, if the Operating Rating is controlled by superstructure bending or shear and LFR approach is used, SHV ratings can be calculated using the Ratio Method described in Appendix C. Examples for this method are shown in Appendix D.
5. Only one cell space is available for SHVs in the SIIMS Load Rating Table, the lowest SHV rating tonnage should be reported there. The ratings for other SHVs should be included in the comments field if they are evaluated.

5.10 Permit Load Analysis

5.10.1 Permit Trucks

Rating of Permit Loads is required for all State-owned bridges. Rating of Permit Loads for county and city bridges is recommended, but not required. Rating of Permit Loads by the LRFR method is not required, but can be used at the owner's discretion.

5.10.1.1 All Permit Trucks Other Than the 90 kip Permit Truck

All Permit Loads are to be analyzed for single-lane loading assuming the permit load is centered on the roadway cross section. Full impact is used for a 65 mph or higher speed zone, and low impact (10 percent impact factor) is used for a 55 mph or less speed zone.

5.10.1.2 90 kip Permit Truck Only

This permit vehicle shall be rated for the following two cases:

- Case 1 – One lane loading positioned at center of the deck cross section and assuming full impact.
- Case 2 – Multiple-lane loading assuming that the permit load is moving at 5 mph within lane limits and using a 10 percent impact factor.

5.11 Load Factors, Condition Factors, and System Factors

5.11.1 Load Factors

5.11.1.1 ASR and LFR Methods

There are no load factors associated with the ASR method. For the LFR method, the load factors specified in the MBE should be used.

5.11.1.2 LRFR Method

For the LRFR method, the load factors shown in the MBE shall be used.

The ADTT used to select the live load factors shall be taken from the Structure Inventory and Appraisal (SI&A) Sheet. The value should be obtained using the following equation:

$$\text{ADTT} = \text{ADT} * (\% \text{ Truck} / 100)$$

Where ADT is Item 29 and % Truck is Item 109 on the SI&A Sheet

If the bridge is one directional, the calculated value is for one direction. However, if the bridge is two directional, it should be assumed that 55 percent of the total traffic is one directional, unless known otherwise. The 55 percent assumption is taken from the AASHTO LRFD Bridge Design Specifications, Article C3.6.1.4.2. The calculated ADTT needs to be converted to a single lane value by use of the appropriate factor from the AASHTO LRFD Bridge Design Specifications, Table 3.6.1.4.2-1.

If the ADTT is unknown, the most conservative value in the table should be used. Linear interpolation is permitted for determining the appropriate load factor.

Per Article 6A.4.5.4.2c of the MBE, the load factors as given in Table 6A.4.5.4.2a-1 shall be increased when using a refined analysis.

5.11.2 Condition Factor

5.11.2.1 ASR and LFR Methods

Not applicable.

5.11.2.2 LRFR Method

The condition factor provides a reduction to account for the increased uncertainty in the resistance of deteriorated members and the likely increased future deterioration of these members during the period between inspection cycles.

The condition factor for new bridges shall be taken as 1.0. The Condition Factors are presented in the MBE, Table 6A.4.2.3-1.

Note that the Condition Factor is not a means to account for actual losses or deterioration. The actual losses and/or deterioration needs to be accounted for in the rating prior to applying the Condition Factor. The use of the Condition Factor is optional based on the engineer's judgment.

5.11.3 System Factor

5.11.3.1 ASR and LFR Methods

Not applicable.

5.11.3.2 LRFR Method

System factors that correspond to the load factor modifiers in the AASHTO LRFD Bridge Design Specifications should be used for bridges designed by the LRFD method (that is $\phi_s = 1/(\phi_D \phi_R)$). The system factors listed in the MBE are more conservative than the LRFD design values and may be used at the discretion of the rating engineer until they are modified in the AASHTO LRFD Bridge Design Specifications. A rating factor slightly less than 1.0 for a new bridge caused by this practice is considered acceptable.

5.12 Load Testing

Load testing should be considered when certain conditions exist that make conventional methods of analysis less reliable. Specific situations that may lead to load testing are as follows:

1. Deterioration is difficult to quantify.
2. Conventional analysis methods are difficult to apply to a unique structural configuration.
3. There is a public need to allow larger vehicles to cross a bridge than the conventional analysis will allow.

Chapter 6 REINFORCED CONCRETE DECKS

6.1 Introduction

This section covers the rating of reinforced concrete decks. A reinforced concrete deck supported by stringers, girders, or floor beams should be rated when the condition is questionable.

6.2 Policies and Guidelines

When design plans are available, the applicable concrete strength and reinforcing steel yield strength should be used. If plans or material information is not available, the value used should be as shown in this manual, Chapter 5, for the reinforcing steel and in the MBE, Section 6, for the concrete strength.

Chapter 7 TIMBER DECKS

7.1 Introduction

This section covers the rating of timber decks. Timber decks shall be rated for bending and horizontal shear capacity.

7.2 Policies and Guidelines

The ASR or LRFR method shall be used for timber decks built before October 2010 as there is no LFR method for this type of material.

The LRFR method shall be used for timber bridges built after October 2010. Refer to the AASHTO LRFD Bridge Design Specifications, Table 8.4.1.1.4-1, for stress limits.

Unless plans show material properties or the material properties are otherwise known, refer to Table 5.7.5 or to the values noted in the current edition of the AASHTO LRFD Bridge Design Specifications.

Chapter 8 REINFORCED CONCRETE SUPERSTRUCTURES

8.1 Introduction

This section covers the rating of reinforced concrete girders and longitudinally reinforced concrete slabs. This section does not cover prestressed concrete members. All reinforced concrete girders and slabs shall be rated.

8.2 Policies and Guidelines

When design plans are available, the applicable concrete strength and reinforcing steel strength should be used. If material information is not available, the value used should be as shown in this manual, Chapter 5, for the reinforcing steel and in the MBE, Section 6, for the concrete strength. The LARS defaults used by Iowa DOT are shown in Figure 8.2.

8.2.1 Reinforced Concrete Slab Bridges

The reinforcing in the top and bottom mats should be distributed over a 12-inch width. Typically, the spacing is not in increments that are evenly divided into 12 inches. Iowa DOT's policy is to take the total area of three bars and divide it by the three spaces and multiply this result by 12 inches to provide an area of reinforcing per foot width of deck. In equation form, $A_s = 12 * (A_1 + A_2 + A_3) / (3 * s)$.

The edge girder section is not typically load rated.

8.2.2 ASR or LFR Method

No exceptions to the MBE should be made.

8.2.3 LRFR Method

No exceptions to the MBE should be made.

Analysis Customization

Truss		LRFR - General			LRFR - Timber	
General	SS	RC	PSC	Timber	Fir Beam	
Yield Bending Stress - Reinforcing Steel						
Up to Yr	Fy	Inventory	Operating	Posting		
1905	26000.0	14300.0	19500.0	19500.0		Add
1944	33000.0	18150.0	24750.0	24750.0		Modify
1980	40000.0	20000.0	28000.0	28000.0		Delete
2050	60000.0	24000.0	36000.0	36000.0		
Allowable Bending Stress - Reinforced Concrete						
Up to Yr	f _c	Inventory	Operating	Posting		
1960	3000.0	1200.0	1650.0	1650.0		Add
2050	3500.0	1400.0	1925.0	1925.0		Modify
						Delete
Yield Shear Stress - Shear Reinforcing Steel						
Up to Yr	Fy	Inventory	Operating	Posting		
1905	26000.0	14300.0	19500.0	19500.0		Add
1944	33000.0	18150.0	24750.0	24750.0		Modify
1980	40000.0	20000.0	28000.0	28000.0		Delete
2050	60000.0	24000.0	36000.0	36000.0		
Allowable Shear Stress - Reinforced Concrete						
Up to Yr	f _c	Inventory	Operating	Posting		
1960	3000.0	1200.0	1650.0	1650.0		Add
2050	3500.0	1400.0	1925.0	1925.0		Modify
						Delete
Ignore shear rating when no stirrups are present						YES
Always ignore shear rating						NO
Ignore additional ASD/LFD checkpoints from face of support						NO

OK Cancel

Figure 8.2. Analysis Customization Input Form from LARS (Showing Defaults Used by IaDOT)

Chapter 9 PRESTRESSED CONCRETE GIRDER SUPERSTRUCTURE

9.1 Introduction

This section covers the rating of prestressed concrete girders. All prestressed concrete bridges are to be rated.

9.2 Policies and Guidelines

When design plans are available, the applicable concrete strength and prestressing steel strength should be used. If material information is not available, refer to the MBE, Section 6, for the appropriate year of construction.

Iowa DOT uses the following:

1. Elastic shortening is not applied to a transformed beam section because the transformed section already accounts for the elastic shortening effect.
2. The dead loads applied to the girder during construction should be applied to the transformed section.
3. OBS does not use $2n$ for calculating the stress due to long-term superimposed dead loads. Current policy is to use “ n ” for all dead load cases.
4. If the sacrificial wearing surface is present on the deck, it should be assumed to be removed for the purpose of rating; otherwise, the full deck thickness shall be considered in the rating.
5. Composite prestressed concrete girder bridges were designed with the deck continuous over the supports. The girders of these bridges were not made continuous over the support. Bridges meeting this description can be load rated as simple spans.

9.2.1 Software-Specific Iowa DOT Policy

9.2.1.1 LARS

Iowa DOT policy specific to LARS is as follows:

1. The LARS defaults used by Iowa DOT are shown in Figure 9.2.1.1.
2. When using LARS, the low tendon stress check is not performed unless the engineer determines that there is a large separation between the strands that may stress the bottom layer of strands appreciably more than the other layers.
3. The LARS program does not allow the percentage of ultimate stress to be input manually. The program uses 70% F_u based on the year of construction. OBS uses values of 70%, 72.644%, and 75% F_u in many cases, and sometimes the value varies amongst girders in the same bridge due to their lengths being different. OBS personnel should use the PPCBeam spreadsheet to verify LARS results.
4. The LARS program does not use the transformed section in the same way OBS does for the elastic analysis. The Inventory Rating in LARS will typically be less than what the spreadsheet analysis calculates. OBS personnel should use the spreadsheet to verify the ratings less than HS20 or rating factors less than 1.0.
5. The LARS program does not have the ability to input non-composite dead load on the girder other than the concrete deck load and self weight of the girder. Because the diaphragm weight cannot be applied directly in LARS, its weight must be converted to an equivalent deck thickness for each girder analyzed. Additional deck thickness can be added to the deck thickness to account for the weight of the diaphragm so that it will approximate the moment caused by the presence of the diaphragm. The following routine is used by OBS:
 - a. Convert the diaphragm weight to a uniform weight along the girder using the following formula:
 - i. Diaphragm at Centerline: $2.00 * \text{Diaphragm Weight} / \text{Span Length}$
 - ii. Diaphragm at $1/3$ Points: $2.67 * \text{Diaphragm Weight} / \text{Span Length}$
 - iii. Diaphragm at $1/4$ Points: $4.00 * \text{Diaphragm Weight} / \text{Span Length}$
 - iv. Diaphragm at $1/5$ Points: $4.80 * \text{Diaphragm Weight} / \text{Span Length}$
 - v. Diaphragm at $1/6$ Points: $6.0 * \text{Diaphragm Weight} / \text{Span Length}$

- b. Convert the above calculated uniform weight to an equivalent slab thickness, and add this amount to the actual slab thickness. The thickness should be determined by using the actual deck width used to calculate the dead load. The effective deck thickness shall not be adjusted by this routine.

Truss		LRFR - General		LRFR - Timber	
General	SS	RC	PSC	Timber	Fir Beam
f'c Beam	5000	f'c Slab	3500		
f's	250000	Eg / Es	1.250		
Factor for elastic theory moment capacity			6.0000		
Relative humidity for loss calculation			70		
Use prestressing steel in transformed section			YES		
Use low tendon limit qualification			NO		
For Composite Prestressed Concrete, use composite contribution for SDL - n=3n (Default - n=1.25)				NO	
Use elastic, ultimate moment and low tendon qualifications when calculating inventory moment. Otherwise, ultimate moment and low tendon will be used.				YES	
Use dead load only when calculating the concrete stress at the centroid of the prestressing steel.				YES	
Ignore shear rating when no stirrups are present				YES	
Ignore elastic analysis (Manual for Condition Evaluation of Bridges 6.6.3.3)				NO	
Always ignore shear rating				NO	
Always ignore V/s max				NO	
Use S/(n+n) for computing negative bending elastic stresses				YES	
Use AASHTO 1979 shear specifications				NO	
Use same ASD/LFD shear capacity for positive and negative shear				NO	
Ignore additional ASD/LFD checkpoints from face of support				NO	

Figure 9.2.1.1. Analysis Customization Input Form from LARS (Showing Defaults)

9.2.2 ASR or LFR Method

No exceptions to the MBE should be made other than noted above.

9.2.3 LRFR Method

No exceptions to the MBE should be made other than noted above.

Chapter 10 STEEL SUPERSTRUCTURES

10.1 Introduction

This section covers the rating of steel girders. All steel superstructure bridges shall be rated.

10.2 Policies and Guidelines

The plastic capacity of a girder can be used for determining the load capacity. All required checks must be satisfied in the AASHTO specifications before the plastic capacity is allowed.

Girders with shear studs or anchors are considered to have composite sections in positive bending regions. Although shear studs or anchors may be present in negative bending regions, composite action is not considered.

10.2.1 Analysis and Rating

10.2.1.1 Special Considerations

The following items shall be considered:

- Top flanges of “Through Girder” bridges shall be considered unbraced unless it can be shown otherwise by acceptable analysis methods and permitted by OBS.
- In-span hinges shall be rated for bending, shear, and bearing.
- Bolted splices in fracture critical girders shall be rated.
- Cross frames and diaphragms resisting primary loads shall be rated (e.g. a substringer supported by a cross frame).
- Rating for Service II is required when using the LRFR method; however, the use of Service II is optional for permit rating.
- If the sacrificial wearing surface is present on the deck, it shall be assumed removed for the purposes of rating; otherwise the full deck thickness shall be considered in the rating.
- Fatigue analysis is not typically performed.

10.2.1.2 Tangent Girders

Analysis and rating of tangent girders should be performed as follows:

- The engineer is responsible for selecting the appropriate analysis method for the bridge being rated. Some analysis methods available include:
 - Line girder
 - Grid
 - 3D analysis
- Rate for bending and shear at controlling locations

10.2.1.3 Curved Girders

Analysis and rating of curved girders should be performed as follows; refer to NCHRP Report 725, Guidelines for Analysis Methods and Construction Engineering of Curved and Skewed Steel Girder Bridges:

- Use one of the following analysis methods:
 - Line girder with V-Load method
 - Grid
 - 3D analysis
- Rate curved girders as follows:
 - Incorporate lateral flange bending effects.
 - Rate for bending and shear at controlling locations.

- Rate cross frames
- For rating curved girder bridges with a degree of curvature less than or equal to 3 degrees, Iowa DOT allows the girders to be analyzed as straight girders. The span length used in the analysis should be the length along the curve of the girders. However, the rating engineer should refer to ASSHTO LRFD Bridge Design Specification, Articles 4.6.1.2.4b and c, for additional information, and should consider these articles when the bridge has unusual geometry or other factors that may require a more refined analysis.

10.2.2 Software-Specific Iowa DOT Policy

10.2.2.1 LARS

Iowa DOT policy specific to LARS is as follows:

1. The LARS defaults used by Iowa DOT are shown in Figure 10.2.2.1.
2. The LARS program requires the web depth and thickness for the shear rating; therefore, rolled shapes are to be converted to plate sections or input as a known rolled shape available in the program's library. The library does contain all shapes and sizes, especially those used in older bridges. When the rolled shape is converted to a plate girder, the plates chosen should result in a section modulus as near as practical to the actual section modulus of the rolled shape. Additionally, the web height should be adjusted to maintain the section height; however, the web thickness used in the equivalent section shall be the actual web thickness.
3. The length of cover plates should be input reducing the total length of the plate by the development length at each end of the plate. Iowa DOT policy assumes the development length is equal to 1.5 times the width of the cover plate.
4. Ratings should be performed at each flange and web section change, including cover plate cut-offs. However, LARS does not allow section changes to occur at tenth points; therefore, section changes must be adjusted to occur at a location other than a tenth point.
5. Welded girders typically have transverse stiffeners located along their length. Currently, LARS input requests the maximum stiffener spacing to be input between lateral bracing points. However, using the maximum spacing will give an overly conservative shear spacing; therefore, it is recommended to use the actual spacing of the stiffeners at locations of high shear. This limitation of the program may require multiple investigations for shear.
6. The splicing points, which should correspond to girder dead load inflection points, are generally used as the transition points between the composite and non-composite regions of a girder.
7. LARS does not have the ability to input non-composite dead load on the girder other than the concrete deck load and self weight of the girder. Because the diaphragm weight cannot be applied directly in LARS, its weight must be converted to an equivalent deck thickness for each girder analyzed. Additional deck thickness can be added to the deck thickness to account for the weight of the diaphragm so that it will approximate the moment caused by the presence of the diaphragm. The following routine is used by OBS:
 - a. Convert the diaphragm weight to a uniform weight along the girder using the following formula:
 - i. Diaphragm at Centerline: $2.00 \times \text{Diaphragm Weight} / \text{Span Length}$
 - ii. Diaphragm at $1/3$ Points: $2.67 \times \text{Diaphragm Weight} / \text{Span Length}$
 - iii. Diaphragm at $1/4$ Points: $4.00 \times \text{Diaphragm Weight} / \text{Span Length}$
 - iv. Diaphragm at $1/5$ Points: $4.80 \times \text{Diaphragm Weight} / \text{Span Length}$
 - v. Diaphragm at $1/6$ Points: $6.0 \times \text{Diaphragm Weight} / \text{Span Length}$
 - b. Convert the above calculated uniform weight to an equivalent slab thickness, and add this amount to the actual slab thickness. The thickness should be determined by using the actual deck width used to calculate the dead load. The effective deck thickness shall not be adjusted by this routine.

Analysis Customization

Truss | LRFR - General | LRFR - Timber

General | SS | RC | PSC | Timber | Flr Beam

Partially Braced Member Check YES

Per the AASHTO Spec. Section 10.48.4.1 (LFD) and Table 10.32.1A (ASD), always compute the value of C_b based on the values of M₁ and M₂ (YES), or always use a value for C_b of 1.0 (conservative) (NO)

Serviceability Analysis YES

Use .8F_yS for non-composite sections in composite members

Allowable Bending Stress

Up to Yr	Fy	Inventory	Operating	Posting
1905	26000.0	14300.0	19500.0	19500.0
1936	30000.0	16500.0	22500.0	22500.0
1962	33000.0	18150.0	24750.0	24750.0
9999	36000.0	20000.0	27000.0	27000.0

Buttons: Add, Modify, Delete

Allowable Shear Stress

Up to Yr	Fy	Inventory	Operating	Posting
1905	26000.0	8500.0	11500.0	11500.0
1936	30000.0	9500.0	13500.0	13500.0
1962	33000.0	11000.0	15000.0	15000.0
9999	36000.0	12000.0	16000.0	16000.0

Buttons: Add, Modify, Delete

Compact flag YES
Always qualify members as braced non compact when F_y < 33ksi

Fb Flag YES
Allow input F_b to override computed F_b for ASD section capacity computation

LFD CSC Tension NO
Allow LFD CSC tension flange capacity to always be based on yield not stresses

LFD CSC Plastic YES
Allow LFD CSC plastic moment capacity for compact sections

Buttons: OK, Cancel

Figure 10.2.2.1. Analysis Customization Input Form from LARS (Showing Defaults)

10.2.3 ASR or LFR Method

No exceptions to the MBE should be made other than noted above.

10.2.4 LRFR Method

No exceptions to the MBE should be made other than noted above.

Chapter 11 STEEL TRUSS SUPERSTRUCTURE

11.1 Introduction

This section pertains to the rating of steel truss superstructures. All steel trusses shall be rated.

11.2 Policies and Guidelines

Iowa DOT uses the following policies and guidelines:

1. Truss Members – A rating is required for all members in the truss. When the truss is symmetrical about its midspan centerline, then all the members on only one side of the midspan centerline require a rating. A rating is required only for members carrying live load (for example, typically a rating is not required for portal or sway bracing members, however, cross frames of deck trusses supporting stringers are required).
2. Interior Floor Beams – A rating is required for the critical interior floor beam. To determine the critical floor beam, more than one interior floor beam may require investigation due to variations in cross-sectional size, grade of material, loads, or any other determining factor.
3. End Floor Beams – A rating is required for an end floor beam when its cross-sectional size is different from that used for the interior floor beams or when member deterioration or loading could result in a lower rating factor than an interior floor beam.
4. Interior Stringers – A rating is required for the critical interior stringer. To determine the critical stringer, more than one interior stringer may require analysis due to variations in cross-sectional size, grade of material, span length, loads, or any other determining factor.
5. Exterior Stringers – A rating is required for an exterior stringer when its cross-sectional size is different from that used for the interior stringers or when member deterioration or loading could result in a lower rating factor than an interior stringer.
6. Gussets – A rating is required for all gussets carrying live load. Refer to Publication No. FHWA-IF-09-014, February 2009, titled “Load Rating Guidance and Examples for Bolted and Riveted Gusset Plates in Truss Bridges” for rating gusset plates. This publication presents a methodology for the rating of “simple” gusset plates using the LFR and LRFR methods. Many gusset plates are comprised of multiple plies of plates and/or splices at the gusset location that are not covered by the FHWA publication, so sound engineering judgment will be required to rate these types of gussets. It is beyond the scope of this manual to present a methodology for rating complicated gussets as there are too many types and combinations of gussets to cover. The FHWA publication presents a table of factored shear resistance for rivets; however, the user is cautioned that this table is not in agreement with the values in the most recent MBE (2nd Edition) and current interims. Therefore, the rater should use the values noted in the MBE unless other information proves otherwise.
7. Main Chord Splices – A rating is required for all splices present in the truss members.
8. Main Chord Pins – A rating is required for all pin hanger connections and pin bearing connections present in the truss.

Chapter 12 TIMBER SUPERSTRUCTURES

12.1 Introduction

This section pertains to the rating of timber superstructures. All timber bridges shall be rated.

12.2 Policies and Guidelines

The ASR or LRFR method shall be used for timber bridges built before October 2010 as there is no LFR method for this type of bridge.

The LRFR method shall be used for timber bridges built after October 2010. Refer to the AASHTO LRFD Bridge Design Specifications, Table 8.4.1.1.4-1, for stress limits.

Iowa DOT uses the following:

1. Impact shall not be applied to timber structures per AASHTO.
2. Horizontal shear can often control the ratings and should always be checked.
3. Bending stress can be affected by imperfections in the members and should be accounted for in the rating calculations.
4. Vertical shear does not typically control the rating, but should be checked.

Chapter 13 CONCRETE AND MASONRY SUBSTRUCTURES

13.1 Introduction

This section pertains to the rating of concrete and masonry substructures.

13.2 Policies and Guidelines

Iowa DOT uses the following criteria to determine when the substructure should be rated:

1. Substructures shall be rated when there is deterioration, tipping, or damage present that is determined to be detrimental to the substructure's load carrying capabilities.
2. Piles should be rated if a significant amount of soil has been lost by scour or other means around the pile that could cause a buckling issue or not provide enough soil for the geotechnical support of the pile in friction.
3. Pier caps shall be rated if there is deterioration or other structural issues present that would have an effect on the capacity of the cap.

Chapter 14 STEEL SUBSTRUCTURES

14.1 Introduction

This section pertains to the rating of steel substructures.

14.2 Policies and Guidelines

Iowa DOT uses the following criteria to determine when the substructure should be rated:

1. Substructures shall be rated when there is deterioration, tipping, or damage present that is determined to be detrimental to the substructure's load carrying capabilities.
2. Piles shall be rated if a significant amount of soil has been lost by scour or other means around the pile that could cause a buckling issue or not provide enough soil for geotechnical support of the pile in friction.
3. Pier caps shall be rated if there is deterioration or other structural issues present that would have an effect on the capacity of the cap.

Chapter 15 TIMBER SUBSTRUCTURES

15.1 Introduction

This section pertains to the rating of timber substructures.

15.2 Policies and Procedures

The ASR or LRFR method shall be used for timber bridges built before October 2010 as there is no LFR method for this type of bridge.

The LRFR method shall be used for timber bridges built after October 2010. Refer to the AASHTO LRFD Bridge Design Specifications, Table 8.4.1.1.4-1, for stress limits.

Iowa DOT uses the following criteria to determine when the substructure should be rated:

1. Substructures shall be rated when there is deterioration, tipping, or damage present that is determined to be detrimental to the substructure's load carrying capabilities.
2. Piles shall be rated if a significant amount of soil has been lost by scour or other means around the pile that could cause a buckling issue or not provide enough soil for geotechnical support of the pile in friction.
3. Pier caps shall be rated if there is deterioration or other structural issues present that would have an effect on the capacity of the cap.

Chapter 16 BRIDGE-SIZED CONCRETE BOX CULVERTS

16.1 Introduction

This section pertains to the rating of bridge-sized concrete box culverts (that is, a length of 20 feet or greater between inside faces of outside walls measured along the centerline of the roadway).

16.2 Policies and Guidelines

Culverts should be rated according to the guidelines provided in the MBE.

If the plans or original design calculations do not exist, or severe deterioration exists, engineering judgment can be used. Engineering judgment must be based on a field evaluation. Field evaluation and engineering judgment ratings must be documented. (See the FHWA memo dated February 2, 2011, regarding “Revisions to the Recording and Coding Guide for the Structure, Inventory and Appraisal of the Nation’s Bridges (Coding Guide) - Item 31, Design Load, and Items 63 and 65, Method Used to Determine Operating and Inventory Ratings.”).

New AASHTO guidelines were approved in 2015 as follows: If a concrete culvert under fill with known details or with unknown components has been carrying normal traffic for an appreciable period and shows no distress, as determined by a physical inspection of the culvert by a qualified inspector and documented in the inspection report, the culvert may be assigned an inventory load rating factor of 1.0 and operating load rating factor of 1.3 for the design load and need not be posted for restricted loading. The load rating shall be documented in the bridge file. Notice that this only applies to culverts designed for HL-93 or HS-20 trucks. For a concrete culvert with an NBI condition rating equal to or less than 5, the assigned load rating approach should be used with good engineering judgment. (These guidelines have not been formally approved by the FHWA and should be used only after approval by FHWA.) Rating concrete culverts by the LFR method is acceptable for culverts designed by ASD or LFD; although, LRFR method is recommended.

16.3 Software

CulverCalc – concrete box culvert design and load rating software -- is now available to rate concrete boxes with either LRFR or LFR method. Design loads are rated at both Inventory and Operating levels while legal loads and permit loads are evaluated at Operating level only. The input data can be in either English Units or Metric Units.

The LFR components were developed following the requirements of the Iowa DOT Bridge Design Manual (BDM) which was last updated in March, 2005. Lateral Earth Pressures (EH) have two options: Office load and AASHTO load (section 3.6 of BDM). Live Load Surcharge (LS) is taken as 36psf for office load and 2ft of earth for AASHTO load (section 3.7 of BDM and AASHTO Standard specification 3.30.3).

The LRFR component was developed following MBE requirements in general. For simplicity, the default live load factors for legal loads (i.e. routine commercial trucks and SHVs) and permit trucks are taken as 1.45 and 1.40 respectively. Load factors can be modified by the user whenever necessary.

Chapter 17 NON-TYPICAL BRIDGE TYPES

17.1 Introduction

This section pertains to bridge types that are not covered in other sections of this manual, such as steel arch bridges, concrete arch bridges, cable stayed bridges, suspension bridges, and railroad flatcar bridges.

17.2 Policies and Guidelines

At this time, no policy guidelines exist for the rating of non-typical bridge types with the exception of railroad flatcar bridges. For railroad flatcar bridges, refer to Iowa Highway Research Board, Project TR-498, "Field Testing of Railroad Flatcar Bridges Volume I: Single Spans," dated August 2007. The rater should discuss the proposed methodology for non-typical types of bridges with his or her supervisor if done in-house, and with the contracting authority if done out of house.

Chapter 18 POSTING OF BRIDGES AND POSTING CONSIDERATIONS

18.1 General

The bridge owner shall post all bridges as required. Before weight limit posting is recommended, posting avoidance options should be discussed and approved by the supervisor (in-house) or contracting authority as these options may require additional analysis.

Posting bridges for load limit is a serious matter. Doing so can create a hardship on the motoring public and industry in the vicinity of the bridge. Bridges that rate low using the ASR method may be benefited by being rerated using the LFR method or the LRFR method to determine if the bridge can accommodate higher loads based on currently accepted codes. Similarly, bridges that rate low using the LFR method can be rerated using the LRFR method prior to posting.

18.2 Posting for Legal Truck Loads

Iowa DOT uses the following:

- Posting signs should limit all vehicles as efficiently as possible. Posting for a single gross weight limit, maximum axle weight limit, or both are the most enforceable means of restricting vehicles. Any method described in the Manual for Uniform Traffic Control Devices (MUTCD) is appropriate. Using the signs in the MUTCD with pictorial images of vehicles is allowed as long as it is clearly understood that the number of axles shown on any one vehicle could be literally interpreted if or when a violation is taken to court. Altering the pictorial images on the R12-5 is not allowed by the MUTCD. Examples of typical posting signs are shown in Figure 18.2.1 (a) and (b). Sometimes these signs are used in conjunction with triple axle posting sign shown in Figure 18.2.1 (c)

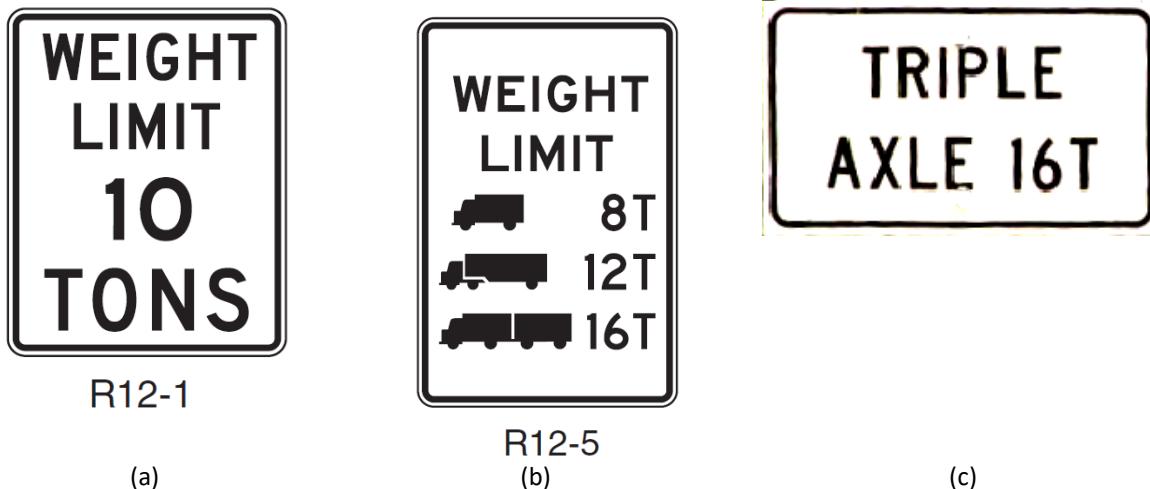


Figure 18.2.1. Examples of Bridge Posting Signs

- The Operating capacity is generally used as the limit for posting. Limits below the Operating capacity can be used at the owner’s discretion. Limits below the Inventory capacity are generally not used.
- Bridges that have adequate capacity for legal vehicles up to 40 tons, but do not have adequate capacity for legal vehicles over 40 tons should be posted for a maximum gross limit of 40 tons regardless of the allowable limit calculated. This eliminates confusion about any permit vehicles that are within the 40- to 48-ton range.
- The minimum load posting value is 3 tons. Bridges not capable of carrying a minimum gross legal load weight of 3 tons shall be closed.
- Iowa DOT’s policy for determination of the posting loads is using Iowa legal loads (including SU4, SU5, SU6, and SU7) and the MBE. The single unit truck shown in Figure 18.2.1(b) represents Type 4, SU4, SU5,

SU6, and SU7 trucks. The triple axle sign shown in Figure 18.2.1(c) is used to restrict the weight of axle groups. The “Triple Axle Group” in the Load Rating Table (Figure 18.2.2) of the SIIMS Load Rating Report (see Figure 19.1.1-2) should be computed and used for restricting the weight of triple axle group rather than the weight of entire truck. For example, in Figure 18.2.2, for One Lane Traffic; Triple Axle Group; 4 or 4S3; 9 ton is used because the Type 4 truck rating factor is $12 / 27.25 = 0.44$, and the triple axle group maximum allowable weight would be $(0.44)(21 \text{ Tons}) = 9 \text{ Tons}$. The triple axle group weight rating for Type 4 should also be compared with that calculated from Type 4S3 and the controlling value should be entered in the table. A similar calculation should be done for the 3S3 and 3S3B vehicles.

Load Rating Table									Recommended Posting
Load Type	One Lane Traffic				Two Lane Traffic				1
	Type	Tons	Type	Tons	Type	Tons	Type	Tons	Tons
Straight Truck	4	12	3		4		3		12
Truck - Semi-trailer	3S3	18	3S2		3S3		3S2		18
Truck - Full-trailer	3-3	23	SU7		3-3		SU7		23
Triple Axle Group	4or4S3	9	3S3orB		4or4S3		3S3orB		9

Figure 18.2.2 Load Rating Table in SIIMS

- Although the same SHV truck weights are used in rating bridges on primary and non-primary highways, more restrictive axle weight limits are imposed by Iowa Code 321.463 for non-primary bridges. Bridges should not be posted beyond the legal GVW limits shown in Table 18.2.1. For example, a bridge with a load rating of 36 Tons for the SU7 truck should be posted if it is located on primary system, but would not need to be posted if it is located on secondary system.

Table 18.2.1. Legal GVW Limits for SHVs on Primary and Non-primary Systems

	SU4 (Tons)	SU5 (Tons)	SU6 (Tons)	SU7 (Tons)
Legal Limit for Primary Highways	27	31	34.75	38.75
Legal Limit for Secondary Highways	26.5	28.75	31.5	32.25

18.3 Posting Considerations

Posting avoidance is the application of engineering judgment to a load rating by modifying the MBE-defined procedures through the use of variances and exceptions. The methods of posting avoidance in this section are presented in an approximate hierarchy to provide the greatest benefit for the least cost. This hierarchy is not absolute and may change depending on the particular bridge being rated. Posting avoidance techniques may be used as follows:

- Posting avoidance techniques are to be used to avoid weight limit posting, when appropriate, to extend the useful life of a bridge until strengthening or replacement of the bridge is planned and executed.
- Posting avoidance techniques are not to be used when load rating a new bridge or when performing widening or rehabilitation.

18.3.1 Refined Methods of Analysis

Refined methods of structural analyses may be performed in order to establish an accurate live load distribution. Examples of refined methods include finite element analysis and load testing.

18.3.2 Service III Controlling Rating

If the load rating is controlled by Service III using the LRFR method and the current bridge inspection is showing no signs of either shear or flexural cracking, the load rating could be based on the Strength Limit State.

18.3.3 Stiffness of Traffic Barrier

The barrier rail stiffness could be considered and appropriately included, if necessary. Inclusion of the barriers acting compositely with the deck slab and beams should improve longitudinal load ratings. When barriers are considered in this manner, the difference in the modulus of elasticity of the lower strength barrier concrete relative to that of the deck slab and to that of the beams should be taken into account.

18.4 Options for Restricting Traffic

The following options may be used for restricting traffic:

- Post the bridge for the recommended two-lane maximum gross vehicle weights.
- Restrict traffic to one lane down the center of the bridge roadway. Traffic signals may be needed.
- Restrict traffic to one truck at a time. The direction of traffic that should have approach preference will need to be determined. One direction will be free to cross the bridge, and the opposite direction will be required to yield to oncoming traffic.
- Restrict traffic to one truck at a time, and post the bridge for the maximum gross vehicle weights. The direction of traffic that should have approach preference will need to be determined. One direction will be free to cross the bridge, and the opposite direction will be required to yield to oncoming traffic.

18.5 Posting Documentation

The posting limits shall be documented on the Load Rating Report in SIIMS. The load ratings of the legal vehicles can be performed for one-lane or two-lane traffic. The following shall be entered in SIIMS:

- Enter the corresponding load limits for each legal vehicle in the columns for one-lane or two-lane traffic depending on which situation will govern.
- In the Recommended Posting column of the Load Rating Table, enter the actual posting limits that are to be used on the signs, and choose whether it is a one-lane or two-lane posting from the drop-down list at the top of the column.
- If the posting will consist of only one gross weight limit, enter that limit in the first row for Straight Truck in the Recommended Posting column.

18.5.1 Operating Rating at 3 Tons or Less (NBI Item 64)

If a bridge remains open because its legal load capacity is above 3.0 tons but its Operating Rating is 3.0 tons or less, then the Operating Rating should be re-evaluated to determine if a value above 3.0 is appropriate, the evaluation shall be documented in the Load Rating Report; otherwise, the bridge must be closed. The FHWA does not allow a bridge to be open to traffic with an Operating rating of 3.0 tons or less without thorough documentation.

Chapter 19 LOAD RATING DOCUMENTATION

19.1 Load Rating Reported by Iowa DOT Personnel

Load ratings can be documented in SIIMS as a stand-alone report or as part of an inspection.

19.1.1 Load Rating in a Stand-Alone Report

The items to be checked in the “Create Report” form are shown in Figure 19.1.1-1. A sample Bridge Rating Report is shown in Figure 19.1.1-2.

19.1.1.1 Load Rating Calculations

The following steps shall be used to complete the load rating calculations:

1. Create a PDF report of the following Bridge Modeler output from LARS:
 - a. Critical Member Report
 - b. Member Summary Report
 - c. Input Data
 - d. Flexural Member Report of Critical Location
 - e. Signed Load Rating Report with an electronic signature.
2. Attach the PDF report in the Report Info/Pictures tab under the type file of “Load Rating.”
3. Attach hand calculations or output from other programs to the load rating calculation report.
4. Check the “Calculations Attached” box on the load rating form.

Create Inspection Report Based On:

Blank report
 Asset Values


Report Type:
Load Rating Report

Inspection Type:

In-Depth Underwater
 Special Other
 Fracture Critical Load Rating
 Routine Scour

Create Cancel

Figure 19.1.1-1. SIIMS Report Form



Iowa Department of Transportation
Form 532044 (12-09)

Bridge Load Rating Report

FHWA # (Item 8): 699780 Report By: _____ Date: _____

Bridge ID: 1800.1S702 Year Built (Item 27): 1900 Year Reconstructed (Item 106): 0

Width C-C: 10.4 Width O-O: 12.5 Bridge Structure Type (Item 43): 302

Feature Intersected (Item 6): SMALL STREAM (MHI)

STRUCTURAL INVENTORY AND APPRAISAL:

Design Load (Item 31): 0 - Unknown Lanes: 1

Operating Rating (Item 64): 4.0 Tons/RF Rating Method (Item 63): 2

Operating Rating is controlled by: _____ critical location _____

Inventory Rating (Item 66): 0.0 Tons/RF Rating Method (Item 65): 2

Inventory Rating is controlled by: _____ critical location _____

Comment: Bridge posted for one lane at 5 mph.

(Calculations attached)

Deck (Item 58): 7 Superstructure (Item 59): 5 Substructure (Item 60): 6 Culvert (Item 62): N

Bridge Posting (Item 70): 0

Load Type	Load Rating Table								Recommended Posting
	One Lane Traffic				Two Lane Traffic				1
	Type	Tons	Type	Tons	Type	Tons	Type	Tons	Tons
Straight Truck	4	12	3		4		3		12
Truck - Semi-trailer	3S3	18	3S2		3S3		3S2		18
Truck - Full-trailer	3-3	23	SU7		3-3		SU7		23
Triple Axle Group	4or4S3	9	3S3orB		4or4S3		3S3orB		9

Permit Vehicle Adequacy: 90K: No 136K A: No 136K B: No 156K: No

STRUCTURAL RATING

I hereby certify that this engineering document was prepared by me or under my direct personal supervision and I am duly licensed Professional Engineer under the laws of the State of Iowa.

Signature Date

Printed or Typed Name

License No.: _____ My license renewal date is December 31, _____

Comments: _____

Figure 19.1.1-2. SIIMS Bridge Load Rating Report

19.1.1.2 Load Rating Report

The following steps shall be used to complete the Load Rating Report form:

1. Sign the Load Rating Report using an electronic signature.
2. Print the signed copy and place it in the Load Rating binder.

19.1.2 Load Rating as Part of an Inspection

19.1.2.1 Load Rating Calculations

The following steps shall be used to complete the load rating calculations:

1. Create a PDF report of the following Bridge Modeler output from LARS:
 - a. Critical Member Report
 - b. Member Summary Report
 - c. Input Data
 - d. Flexural Member Report of Critical Location
 - e. Signed Load Rating Report with an electronic signature
2. Upload the Bridge Modeler output PDF file into SIIMS using “Load Rating” Type, as shown in Figure 19.1.2.1.
3. Attach hand calculations or output from other programs to the load rating calculation report.
4. Attach hand “Calculations Attached” box on the Load Rating Report.

Figure 19.1.2.1. Upload Rating Calculations to SIIMS

19.1.2.2 Load Rating Report

The following steps shall be used to complete the load rating form:

1. Sign the Load Rating Report using an electronic signature.
2. Print the signed copy and place it in the Load Rating binder or upload the signed Load Rating Report into SIIMS.

19.2 Load Rating Reported by Local Public Agencies

Load rating can be documented in SIIMS as a stand-alone report or as part of an inspection.

19.2.1 Load Rating in a Stand-Alone Report

The items to be checked on the “Create Report” form are shown in Figure 19.1.1-1. A sample Bridge Rating Report is shown in Figure 19.1.1-2.

19.2.1.1 Load Rating Calculations

The following steps shall be used to complete the load rating calculations:

1. Although it is allowed to maintain a hard copy in the bridge file, Iowa DOT recommends uploading an electronic copy into SIIMS using “Load Rating” Type as previously shown in Figure 19.1.2.1 before finalizing the Load Rating Report.
2. Check the “Calculations Attached” box on the Load Rating Report if an electronic copy of the calculations is uploaded into SIIMS.

19.2.1.2 Load Rating Report

The following steps shall be used to complete the load rating form:

1. Print the Load Rating Report from SIIMS.
2. Sign and seal the Load Rating Report by a professional engineer.
3. Maintain the Load Rating Report in the Bridge File.

19.2.2 Load Rating as Part of an Inspection**19.2.2.1 Load Rating Calculations**

The following steps shall be used to complete the load rating calculations:

1. Although it is allowed to maintain a hard copy in the bridge file, Iowa DOT recommends uploading an electronic copy into SIIMS using “Load Rating” Type as previously shown in Figure 19.1.2.1 before finalizing the Inspection Report.
2. Check the “Calculations Attached” box on the Load Rating Report if an electronic copy of the calculations is uploaded into SIIMS.

19.2.2.2 Load Rating Report

Steps in Section 19.2.1.2 of this manual should be followed.

Appendix A

1972 AASHTO TABLE 1.10.1

Table 1.10.1 Allowable Unit Stresses for Structural Lumber — Visually Graded
 (The allowable unit stresses below are for normal loading conditions. See other provisions of Article 1.10.1 for adjustments of these tabulated allowable unit stresses)

Note: This represents only a partial listing of available species and grades. For a complete listing see the Supplement to 1971 Edition of "National Design Specification for Stress Grade Lumber and its Fastenings", NFPA

Species and commercial grade	Size classification	Allowable unit stress in pounds per square inch ¹										Modulus of elasticity "E"	Grading rules agency
		Extreme fiber in bending "F _b "		Tension parallel to grain "F _t "	Horizontal shear "F _v "	Compression perpendicular to grain "F _{cL} "	Compression parallel to grain "F _c "	Repetitive member uses		Modulus of elasticity "E"	Grading rules agency		
		Engineered uses (single)	Repetitive member uses										
CALIFORNIA REDWOOD (Surfaced dry, Used at 19% max. m.c.) Clear Heart Structural Clear Structural Select Structural No. 1 No. 2 No. 3	4" and less thick any width	2300	---	1550	145	425	2150	---	---	1,400,000	Redwood Inspection Service		
		2300	---	1550	145	425	2150	---	---	1,400,000			
	4" and less thick and wide	2050	---	1200	100	425	1500	---	---	1,400,000			
		1700	---	1000	100	425	1250	---	---	1,400,000			
		1400	---	800	80	425	1000	---	---	1,300,000			
		800	---	450	80	425	600	---	---	1,100,000			
Select Structural No. 1 No. 2 No. 3	4" and less thick 6" to 12" wide	1750	---	1200	100	425	1450	---	---	1,400,000			
		1500	---	1000	100	425	1250	---	---	1,400,000			
		700	---	450	80	425	600	---	---	1,100,000			
DOUGLAS FIR-LARCH (Surfaced dry or surfaced green. Used at 19% max. m.c.) Dense Select Structural Select Structural Dense No. 1 No. 1 Dense No. 2 No. 2 No. 3 Dense Select Structural Select Structural Dense No. 1 No. 1 Dense No. 2 No. 2 No. 3	2" to 4" thick 2" to 4" wide	2450	---	1400	95	455	1850	---	---	1,900,000	West Coast Lumber Inspection Bureau and Western Wood Products Association (see footnotes 2 through 9)		
		2100	---	1200	95	385	1600	---	---	1,800,000			
		2050	---	1200	95	455	1450	---	---	1,900,000			
	2" to 4" thick 6" and wider	1750	---	1050	95	385	1250	---	---	1,800,000			
		1700	---	1000	95	455	1150	---	---	1,700,000			
		1450	---	850	95	385	1000	---	---	1,700,000			
	2" to 4" thick 6" and wider	800	---	475	95	385	600	---	---	1,500,000			
		2100	---	1400	95	455	1650	---	---	1,900,000			
		1800	---	1200	95	385	1400	---	---	1,800,000			
2" to 4" thick 6" and wider	1500	---	1000	95	455	1250	---	---	1,800,000				
	1450	---	950	95	385	1050	---	---	1,700,000				
	1250	---	825	95	385	1050	---	---	1,700,000				
No. 2 No. 3	750	---	475	95	385	675	---	---	1,500,000				

Table No. 1.10.1 (cont'd)

Species and commercial grade	Size classification	Allowable unit stress in pounds per square inch ¹							Modulus of elasticity "E"	Grading rules agency
		Extreme fiber in bending "F _b "		Tension parallel to grain "F _t "	Horizontal shear "F _v "	Compression perpendicular to grain "F _{CL} "	Compression parallel to grain "F _C "	Repetitive member uses		
		Engineered uses (single)	Repetitive member uses							
Dense Select Structural	Beams and Stringers	1900	---	1100	85	455	1300	1,700,000	West Coast Lumber Inspection Bureau (see footnotes 2 through 9)	
Select Structural		---	950	85	385	1100	1,600,000			
Dense No. 1		---	775	85	455	1100	1,700,000			
Dense Select Structural	Posts and Timbers	1750	---	1150	85	455	1400	1,700,000	West Coast Lumber Inspection Bureau (see footnotes 2 through 9)	
Select Structural		---	1000	85	385	1200	1,600,000			
Dense No. 1		---	950	85	455	1200	1,700,000			
Select Dex	Decking	1750	2000	---	---	385	---	1,800,000	West Coast Lumber Inspection Bureau (see footnotes 2 through 9)	
Commercial Dex		1450	1650	---	---	385	---	1,800,000		
Dense Select Structural	Beams and Stringers	1900	---	1250	85	455	1300	1,700,000	Western Wood Products Association (see footnotes 2 through 11)	
Select Structural		---	---	1050	85	385	1100	1,600,000		
Dense No. 1		---	---	1050	85	455	1100	1,700,000		
Dense Select Structural	Post and Timbers	1750	---	1150	85	455	1350	1,700,000	Western Wood Products Association (see footnotes 2 through 11)	
Select Structural		---	---	1000	85	385	1150	1,600,000		
Dense No. 1		---	---	950	85	455	1200	1,700,000		
Select Decking	Decking	---	2000	---	---	385	---	1,800,000	Western Wood Products Association (see footnotes 2 through 11)	
Commercial Decking		---	1650	---	---	385	---	1,700,000		
Select Decking	Decking	---	2150	---	---	---	---	1,900,000	Western Wood Products Association (see footnotes 2 through 11)	
Commercial Decking		---	1800	---	---	---	---	1,700,000		
EASTERN HEMLOCK – TAMARACK (Surfaced dry or surfaced green. Used at 19% max. m.c.)										
Select Structural	2" to 4" thick 2" to 4" wide	1800	---	1050	85	365	1350	1,300,000	Northeastern Lumber Manufacturer Association or Northern Hardwood and Pine Manufacturers Association (see footnotes 2 through 9)	
No. 1		---	---	900	85	365	1050	1,300,000		
No. 2		---	---	725	85	365	850	1,100,000		
No. 3	2" to 4" thick 6" and wider	700	---	400	85	365	525	1,000,000	Northeastern Lumber Manufacturer Association or Northern Hardwood and Pine Manufacturers Association (see footnotes 2 through 9)	
Select Structural		---	---	1050	85	365	1200	1,300,000		
No. 1		---	---	875	85	365	1050	1,300,000		
No. 2	2" to 4" thick 6" and wider	1050	---	700	85	365	900	1,100,000	Northeastern Lumber Manufacturer Association or Northern Hardwood and Pine Manufacturers Association (see footnotes 2 through 9)	
No. 3		625	---	400	85	365	575	1,000,000		

Table No. 1.10.1 (cont'd)

Species and commercial grade	Size classification	Allowable unit stress in pounds per square inch ¹							Modulus of elasticity "E"	Grading rules agency
		Extreme fiber in bending "F _b "		Tension parallel to grain "F _t "	Horizontal shear "F _v "	Compression perpendicular to grain "F _{c⊥} "	Compression parallel to grain "F _c "	Modulus of elasticity "E"		
		Engineered uses (single)	Repetitive-member uses							
Select Structural No. 1	Beams and Stringers	1400	---	925	80	365	950	1,200,000		
Select Structural No. 1	Posts and Timbers	1300	---	875	80	365	1000	1,200,000		
Select Commercial	Decking	1500	1700	700	80	365	875	1,200,000	NeLMA	
EASTERN SPRUCE (Surfaced dry or surfaced green. Used at 19% max. m.c.)										
Select Structural No. 1	2" to 4" thick	1500	---	875	65	255	1150	1,400,000	Northeastern Lumber Manufacturer Association or Northern	
Select Structural No. 2	2" to 4" thick	1300	---	750	65	255	900	1,400,000	Hardwood and Pine Manufacturers Association	
Select Structural No. 3	2" to 4" wide	1050	---	625	65	255	700	1,200,000		
Select Structural No. 1	2" to 4" thick	1300	---	875	65	255	1000	1,400,000		
Select Structural No. 2	2" to 4" thick	1100	---	750	65	255	900	1,400,000		
Select Commercial	Decking	1250	1450	600	65	255	750	1,200,000		
ENGELMANN SPRUCE (Engelmann Spruce - Lodgepole Pine) (Surfaced dry or surfaced green. Used at 19% max. m.c.)										
Commercial Decking	Decking	---	1300	---	---	---	---	---	Western Wood Products Association	
Selected Decking	Decking	---	1100	---	---	---	---	---		
Commercial Decking	Decking	---	1400	---	---	---	---	---		
HEM-FIR (Surfaced dry or surfaced green. Used at 19% max. m.c.)										
Select Structural No. 1	2" to 4" thick	1650	---	975	75	245	1300	1,500,000	West Coast Lumber Inspection Bureau and Western Wood Products Association (see footnotes 2 through 9)	
Select Structural No. 2	2" to 4" thick	1400	---	825	75	245	1000	1,500,000		
Select Structural No. 3	2" to 4" wide	1150	---	675	75	245	800	1,400,000		
Select Structural No. 1	2" to 4" thick	1400	---	950	75	245	1150	1,500,000		
Select Structural No. 2	2" to 4" thick	1200	---	800	75	245	1000	1,500,000		
Select Commercial	Decking	575	---	375	75	245	550	1,200,000		

Table No. 1.10.1 (cont'd)

Species and commercial grade	Size classification	Allowable unit stress in pounds per square inch										Modulus of elasticity "E"	Grading rules agency
		Extreme fiber in bending "F _b "		Tension parallel to grain "F _t "	Horizontal shear "F _v "	Compression perpendicular to grain "F _{c⊥} "	Compression parallel to grain "F _c "	Repetitive-member uses	Engineered uses (single)	1,400,000	1,400,000		
		Engineered uses (single)	Repetitive-member uses										
Select Structural No. 1	Beams and Stringers	1250	---	750	70	245	900	---	1250	---	1,400,000	West Coast Lumber Inspection Bur. (see footnotes 2 through 9)	
		1000	---	525	70	245	750	---	1000	---	1,400,000		
Select Structural No. 1	Posts and Timbers	1200	---	800	70	245	950	---	1200	---	1,400,000	Western Wood Products Association (see footnotes 2 through 11)	
		975	---	650	70	245	850	---	975	---	1,400,000		
Select Dex Commercial Dex	Decking	1400	1600	---	---	245	---	1400	1600	---	1,500,000	Western Wood Products Association (see footnotes 2 through 11)	
		1150	1300	---	---	245	---	1150	1300	---	1,400,000		
Select Structural No. 1	Beams and Stringers	1250	---	850	70	245	900	---	1250	---	1,400,000	Western Wood Products Association (see footnotes 2 through 11)	
		1050	---	700	70	245	775	---	1050	---	1,400,000		
Select Structural No. 1	Posts and Timbers	1200	---	800	70	245	950	---	1200	---	1,400,000	Western Wood Products Association (see footnotes 2 through 11)	
		975	---	650	70	245	850	---	975	---	1,400,000		
Selected Decking Commercial Decking	Decking	---	---	---	---	---	---	---	---	---	1,500,000	Western Wood Products Association (see footnotes 2 through 11)	
		---	---	---	---	---	---	---	---	---	1,400,000		
Selected Decking Commercial Decking	Decking	---	---	---	---	---	---	---	---	---	1,600,000	Western Wood Products Association (see footnotes 2 through 11)	
		---	---	---	---	---	---	---	---	---	1,500,000		
IDAHO WHITE PINE (Surfaced dry or surfaced green. Used at 19% max. m.c.)													
Selected Decking Commercial Decking	Decking	---	---	---	---	---	---	---	---	---	---	Western Wood Products Association	
		---	---	---	---	---	---	---	---	---	---		
Selected Decking Commercial Decking	Decking	---	---	---	---	---	---	---	---	---	---	Western Wood Products Association	
		---	---	---	---	---	---	---	---	---	---		
LOGEPOLE PINE (Surfaced dry or surfaced green. Used at 19% max. m.c.)													
Selected Decking Commercial Decking	Decking	---	---	---	---	---	---	---	---	---	---	Western Wood Products Association	
		---	---	---	---	---	---	---	---	---	---		
Selected Decking Commercial Decking	Decking	---	---	---	---	---	---	---	---	---	---	Western Wood Products Association	
		---	---	---	---	---	---	---	---	---	---		
NORTHERN PINE (Surfaced dry or surfaced green. Used at 19% max. m.c.)													
Select Structural No. 1	2" to 4" thick 6" and wider	1400	1600	950	70	280	1100	---	1400	1600	---	Northeastern Lumber Manufacturers Association and Northern Hardwood and Pine Manufacturers Association	
		1200	1400	800	70	280	800	---	1200	1400	---		
		950	1100	650	70	280	825	---	950	1100	---		
Select Structural No. 2		---	---	---	---	---	---	---	---	---	Northeastern Lumber Manufacturers Association and Northern Hardwood and Pine Manufacturers Association		
		---	---	---	---	---	---	---	---	---			
Select Structural No. 3		---	---	---	---	---	---	---	---	---	Northeastern Lumber Manufacturers Association and Northern Hardwood and Pine Manufacturers Association		
		---	---	---	---	---	---	---	---	---			
Select Structural No. 1	Beams and Stringers	1250	---	850	65	280	800	---	1250	---	1,300,000	Northeastern Lumber Manufacturers Association and Northern Hardwood and Pine Manufacturers Association	
		1050	---	700	65	280	725	---	1050	---	1,300,000		

Table No. 1.10.1 (cont'd)

Species and commercial grade	Size classification	Allowable unit stress in pounds per square inch							Modulus of elasticity "E"	Grading rules agency
		Extreme fiber in bending "F _b "		Tension parallel to grain "F _t "	Horizontal shear "F _v "	Compression perpendicular to grain "F _{c⊥} "	Compression parallel to grain "F _c "	Modulus of elasticity "E"		
		Engineered uses (single)	Repetitive-member uses							
Select Structural No. 1	Posts and Timbers	1150	950	800	65	280	900	1,300,000	(see footnotes 2 through 9)	
Select Commercial	Decking	1350	1150	650	65	280	800	1,300,000	NeLMA	
PONDEROSA PINE – SUGAR PINE (Lodgepole Pine) (Surfaced dry or surfaced green. Used at 19% max. m.c.)										
Selected Decking Commercial Decking	Decking	---	---	---	---	---	---	---	---	Western Wood Products Association
Selected Decking Commercial Decking	Decking	---	---	---	---	---	---	---	---	Western Wood Products Association
RED PINE (Surfaced dry or surfaced green. Used at 19% max. m.c.)										
Select Structural No. 1	2" to 4" thick	1200	1350	800	70	280	900	1,300,000	National Lumber Grades Author. (A. Canadian agency. See footnotes 2 through 8 and 12)	
No. 2	6" and wider	1100	1150	675	70	280	825	1,300,000		
No. 3		825	950	550	70	280	675	1,200,000		
Select Structural No. 1 Structural	Beams and Stringers	1050	875	625	65	280	725	1,100,000		
Select Structural No. 1 Structural	Posts and Timbers	1000	800	450	65	280	600	1,100,000		
Select Commercial	Wall and Roof Plank	1150	975	675	65	280	775	1,100,000		
SITKA SPRUCE (Surfaced dry or surfaced green. Used at 19% max. m.c.)										
Select Dex Commercial Dex	Decking	1300	1500	---	---	280	---	---	---	West Coast Lumber Inspection Bur.
SOUTHERN PINE (Surfaced dry. Used at 19% max. m.c.)										
Selected Structural Dense Select Structural		2100	---	1250	90	405	1600	1,800,000	Southern Pine Inspection Bureau	
No. 1	2" to 4" thick	2450	---	1450	90	475	1850	1,900,000		
No. 1 Dense	2" to 4" wide	1750	---	1000	90	405	1250	1,800,000		
No. 2		2050	---	1200	90	475	1450	1,900,000		
No. 2 Medium Grain		1250	---	725	75	345	850	1,400,000		
		1450	---	850	90	405	1000	1,600,000		

Table No. 1.10.1 (cont'd)

Species and commercial grade	Size classification	Allowable unit stress in pounds per square inch							Modulus of elasticity "E"	Grading rules agency
		Extreme fiber in bending "F _b "		Tension parallel to grain "F _t "	Horizontal shear "F _v "	Compression perpendicular to grain "F _{c⊥} "	Compression parallel to grain "F _c "	Modulus of elasticity "E"		
		Engineered uses (single)	Repetitive-member uses							
No. 2 Dense	2" to 4" thick	1700	---	1000	90	475	1150	1,700,000	Southern Pine Inspection Bureau	
No. 3 Dense	2" to 4" wide	825	---	475	75	345	600	1,400,000		
No. 3 Dense		950	---	550	90	475	700	1,500,000		
Select Structural		1800	---	1200	90	405	1400	1,800,000		
Dense Select Structural		2100	---	1400	90	475	1650	1,900,000		
No. 1		1500	---	1000	90	405	1250	1,800,000		
No. 1 Dense		1800	---	1200	90	475	1450	1,900,000		
No. 2	2" to 4" thick	1050	---	700	75	345	900	1,400,000		
No. 2 Medium grain	6" and wider	1250	---	825	90	405	1050	1,600,000		
No. 2 Dense		1450	---	975	90	475	1250	1,700,000		
No. 3		725	---	475	75	345	650	1,400,000		
No. 3 Dense		850	---	575	90	475	750	1,500,000		
Dense Std. Factory		2000	---	1200	90	475	1450	1,900,000		
No. 1 Factory		1400	---	825	90	405	1000	1,600,000		
No. 1 Dense Factory	2" to 4" thick	1650	---	975	90	475	1150	1,700,000		
No. 2 Factory	2" to 4" wide	1400	---	825	90	405	1000	1,600,000		
No. 2 Dense Factory		1650	---	975	90	475	1150	1,700,000		
Dense Std. Factory		1750	---	1200	90	475	1450	1,900,000		
No. 1 Factory		1250	---	825	90	405	1050	1,600,000		
No. 1 Dense Factory	2" to 4" thick	1450	---	975	90	475	1250	1,700,000		
No. 2 Factory	6" and wider	1250	---	825	90	405	1050	1,600,000		
No. 2 Dense Factory		1450	---	975	90	475	1250	1,700,000		
Dense Structural 86	2" to 4" thick	2750	---	1850	150	475	2050	1,900,000		
Dense Structural 72		2300	---	1550	125	475	1700	1,900,000		
WESTERN CEDARS (Surfaced dry or surfaced green. Used at 19% max. m.c.)										
Select Dex		1200	---	---	---	---	---	---	West Coast Lumber Inspection Bur.	
Commercial Dex	Decking	1050	---	---	---	295	---	1,100,000		
Selected Decking	Decking	---	---	---	---	295	---	1,000,000		
Commercial Decking	Decking	---	---	---	---	---	---	1,100,000	Western Wood Products Association	
Selected Decking	Decking	---	---	---	---	---	---	1,000,000		
Commercial Decking	Decking	---	---	---	---	---	---	1,100,000		
		---	---	---	---	---	---	---	(Stresses apply at 15% moisture content)	

FOOTNOTES FOR TABLE 1.10.1

¹The allowable unit stresses shown are for selected species and commercial grades. For stresses for other species and commercial grades not shown, the designer is referred to the grading rules of the appropriate grading rules agency.

²The recommended design values shown in Table 1.10.1 are applicable to lumber that will be used under dry conditions such as in most covered structures. For 2" to 4" thick lumber the DRY surfaced size should be used. In calculating design values, the natural gain in strength and stiffness that occurs as lumber dries has been taken into consideration as well as the reduction in size that occurs when unseasoned lumber shrinks. The gain in load carrying capacity due to increased strength and stiffness resulting from drying more than offsets the design effect of size reductions due to shrinkage. For 5" and thicker lumber, the surfaced sizes also may be used because design values have been adjusted to compensate for any loss in size by shrinkage which may occur.

³Values for "F_b", "F_t", and "F_c" for the grades of Construction and Standard apply only to 4" widths.

⁴The values in Table 1.10.1 are based on edgewise use. For dimension 2" to 4" in thickness, when used flatwise, the recommended design values for fiber stress in bending may be multiplied by the following factors:

Width	Thickness		
	2"	3"	4"
2" to 4"	1.10	1.04	1.00
6" and wider	1.22	1.16	1.11

⁵When 2" to 4" thick lumber is manufactured at a maximum moisture content of 15 percent and used in a condition where the moisture content does not exceed 15 percent, the design values shown in Table 1.10.1 may be multiplied by the following factors:

Extreme fiber in bending "F _b "	Tension parallel to grain "F _t "	Horizontal shear "F _v "	Compression perpendicular to grain "F _{c⊥} "	Compression parallel to grain "F _c "	Modulus of Elasticity "E"
1.08	1.08	1.05	1.00	1.17	1.05

⁶When 2" to 4" thick lumber is designed for use where the moisture content will exceed 19 percent for an extended period of time, the values shown in Table 1.10.1 should be multiplied by the following factors:

Extreme fiber in bending "F _b "	Tension parallel to grain "F _t "	Horizontal shear "F _v "	Compression perpendicular to grain "F _{c⊥} "	Compression parallel to grain "F _c "	Modulus of Elasticity "E"
0.86	0.84	0.97	0.67	0.70	0.97

⁷When lumber 5" and thicker is designed for use where the moisture content will exceed 19 percent for an extended period of time, the values shown in Table 1.10.1 should be multiplied by the following factors:

Extreme fiber in bending "F _b "	Tension parallel to grain "F _t "	Horizontal shear "F _v "	Compression perpendicular to grain "F _{c⊥} "	Compression parallel to grain "F _c "	Modulus of Elasticity "E"
1.00	1.00	1.00	0.67	0.91	1.00

⁸The tabulated horizontal shear values shown herein are based on the conservative assumption of the most severe checks, shakes or splits possible, as if a plane were split full length. When lumber 4" and thinner is manufactured unseasoned the tabulated values should be multiplied by a factor of 0.92.

Specific horizontal shear values for any grade and species of lumber may be established by use of the following tables when the length of split or check is known:

When length of split is:	Multiply tabulated "F _v " value by: (Nominal 2" Lumber)
No split	2.00
1/2 x wide face	1.67
3/4 x wide face	1.50
1 x wide face	1.33
1-1/2 x wide face or more	1.00

When length of split on wide face is:	Multiply tabulated "F _v " value by: (3" and Thicker Lumber)
No split	2.00
1/2 x narrow face	1.67
1 x narrow face	1.33
1-1/2 x narrow face or more	1.00

⁹Stress rated boards of nominal 1", 1-1/4" and 1-1/2" thickness, 2" and wider, are permitted the recommended design values shown for Select Structural, No. 1, No. 2 and No. 3 grades as shown in 2" to 4" thick, 2" to 4" wide and 2" to 4" thick, 6" and wider categories when graded in accordance with those grade requirements.

¹⁰For species combinations shown in parentheses, the lowest design values for any species in the combination are tabulated.

¹¹When "MC15" Decking is used where the moisture content will exceed 15 percent for an extended period of time, the design values tabulated to apply at 15 percent moisture content should be multiplied by the following factors: Extreme Fiber in Bending "F_b" - 0.79; Modulus of Elasticity "E" - 0.92.

¹²National Lumber Grades Authority is the Canadian rules-writing agency responsible for preparation, maintenance and dissemination of a uniform softwood lumber grading rule for all Canadian species.

Insert new Table 1.10.1A.

Table 1.10.1A. Allowable Unit Stresses for Structural Glued Laminated Timber, Members Stressed Principally in Bending, Loaded Perpendicular to the Wide Face of the Laminations 1 2 3 (Stresses shown below are for normal conditions of loading. See other provisions of Article 1.10.1 for adjustments of these tabulated allowable unit stresses.)

(1) Douglas Fir and Western Larch

Combination Symbol	Number of Laminations	Extreme Fiber in Bending $F_b^{4/3}$	Allowable unit stresses						
			Tension Parallel to Grain F_t	Compression Parallel to Grain F_c	Compression I to Grain		Horizontal Shear F_v		
					Tension Face F_{cI}	Compression Face F_{cI}			
DRY CONDITIONS OF USE $E = 1,800,000$ psi									
22F	4-10	2200	1600	1500	410	410	165		
	4-10	2200	1600	1500	450	385	165		
	11-20	2200	1600	1500	450	385	165		
	21-30	2200	1600	1500	450	385	165		
	31-40	2200	1600	1500	450	385	165		
	41 or more	2200	1600	1500	450	385	165		
	24F	4-10	2400	1600	1500	450	385	165	
		11-20	2400	1600	1500	450	385	165	
		21-25	2400	1600	1500	450	385	165	
		26-35	2400	1600	1500	450	385	165	
		36-40	2400	1600	1500	450	385	165	
		41 or more	2400	1600	1500	450	385	165	
Note: The 26F combination may not be readily available and the designer should check on availability prior to specifying. The 22F and 24F combinations are generally available from all laminators.									
26F	4-8	2600	1600	1500	450	410	165		
	9-20	2600	1600	1500	450	410	165		
	21-25	2600	1600	1500	450	410	165		
	26-30	2600	1600	1500	450	410	165		
	31-34	2600	1600	1500	450	410	165		
	35-40	2600	1600	1500	450	410	165		
	41 or more	2600	1600	1500	450	410	165		
	WET CONDITIONS OF USE $E = 1,600,000$ psi								
	22F	4-10	1600	1300	1100	275	275	145	
		4-10	1600	1300	1100	305	260	145	
		11-20	1600	1300	1100	305	260	145	
		21-30	1600	1300	1100	305	260	145	
31-40		1600	1300	1100	305	260	145		
41 or more		1600	1300	1100	305	260	145		
24F		4-10	1800	1300	1100	305	260	145	
		11-20	1800	1300	1100	305	260	145	
		21-25	1800	1300	1100	305	260	145	
		26-35	1800	1300	1100	305	260	145	
		36-40	1800	1300	1100	305	260	145	
		41 or more	1800	1300	1100	305	260	145	
Note: The 26F combination may not be readily available and the designer should check on availability prior to specifying. The 22F and 24F combinations are generally available from all laminators.									
26F	4-8	2000	1300	1100	305	275	145		
	9-20	2000	1300	1100	305	275	145		
	21-25	2000	1300	1100	305	275	145		
	26-30	2000	1300	1100	305	275	145		
	31-34	2000	1300	1100	305	275	145		
	35-40	2000	1300	1100	305	275	145		
	41 or more	2000	1300	1100	305	275	145		

Table No. 1.10.1A (cont'd)

Combination Symbol	Number of Laminations	Extreme Fiber in Bending F_b , s , e	Allowable Unit Stresses				Horizontal Shear F_v
			Tension Parallel to Grain F_t	Compression Parallel to Grain F_c	Compression Perpendicular to Grain F_c	Horizontal Shear F_v	
(2) Southern Pine							
DRY CONDITIONS OF USE $E = 1,800,000$ psi							
18F	1 2	1800 1800	1600 1600	1500 1500	385 385	200 200	
20F	1 2	2000 2000	1600 1600	1500 1500	385 385	200 200	
22F	1 2 3	2200 2200 2200	1600 1600 1600	1500 1500 1500	450 385 385	200 200 200	
24F	1 2 3	2400 2400 2400	1600 1600 1600	1500 1500 1500	385 450 385	200 200 200	
Note: The 26F combination may not be readily available and the designer should check on availability prior to specifying. Other combinations listed are generally available from all laminators.							
26F	1 2 3	2600 2600 2600	1600 1600 1600	1500 1500 1500	385 450 450	200 200 200	
WET CONDITIONS OF USE $E = 1,600,000$ psi							
18F	1 2	1400 1400	1300 1300	1100 1100	260 260	175 175	
20F	1 2	1600 1600	1300 1300	1100 1100	260 260	175 175	
22F	1 2 3	1800 1800 1700	1300 1300 1300	1100 1100 1100	300 260 260	175 175 175	
24F	1 2 3	1900 2000 1900	1300 1300 1300	1100 1100 1100	260 300 260	175 175 175	
Note: The 26F combination may not be readily available and the designer should check on availability prior to specifying. Other combinations listed are generally available from all laminators.							
26F	1 2 3	2000 2000 2100	1300 1300 1300	1100 1100 1100	260 300 300	175 175 175	

FOOTNOTES FOR TABLE 1.10.1A

¹The tabulated stresses in this table are primarily applicable to members stressed in bending due to a load applied perpendicular to the wide face of the laminations. For combinations and stresses applicable to members loaded primarily axially or parallel to the wide face of the laminations, see Table 1.10.1B.

²The tabulated bending stresses are applicable to members 12 inches or less in depth. For members greater than 12 inches in depth, the requirements of Article 1.10.2 on Size Factor apply.

³The tabulated combinations are applicable to arches, compression members, tension members and also bending members less than 16-1/4 inches in depth. For bending members 16-1/4 inches or more in depth, footnotes 4 and 5 apply.

⁴The grading restrictions as contained in AITC 301-22, 301-24 and 301-26 tension lamination requirements shall be followed for the outermost tension laminations representing 5% of the total depth of glued laminated bending members 16-1/4 inches or more in depth. For all conditions of use, AITC 301-22 is applicable to combination 22F, AITC 301-24 is applicable to combination 24F and AITC 301-26 is applicable to combination 26F. See Appendix "A" of AITC 203-70 for details of these tension lamination requirements.

⁵In addition to other requirements, the tension laminations as described in AITC 301-22, 301-24 and 301-26 are required to be dense.

⁶The next inner 5% of the outermost tension laminations are to be No. 1 Dense for the same conditions as indicated by footnote number 4.

⁷For fewer than nine (9) laminations, add one No. 1 lamination to each outer zone.

⁸For combination 26F(1), six or fewer laminations, the allowable unit stresses for tension parallel to grain and compression parallel to grain can be increased to 1800 psi and 1600 psi respectively for the dry condition of use and to 1500 psi and 1200 psi respectively for the wet condition of use.

⁹Where fewer laminations are required, a combination with a higher allowable unit stress can be selected.

Insert new Table 1.10.1B.

Table 1.10.1B

Allowable Unit Stresses for Structural Glued Laminated Timber, Members Stressed Principally in Axial Tension or Axial Compression, or a combination of Axial Loading Plus Bending Parallel to or Perpendicular to the Wide Face of the Laminations. (Stresses shown below are for normal conditions of loading. See other provisions of Article 1.10.1 for adjustments of these tabulated allowable unit stresses.)

Combination Symbol	Number of Laminations	Tension Parallel to Grain F_t	Compression Parallel to Grain F_c	Extreme Fiber in Bending F_b When Loaded:		Compression Perpendicular to Grain $F_{c\perp}$	Horizontal Shear F_v When Loaded	
				Parallel to Wide Face ³	Perpendicular to Wide Face ⁴		Parallel to Wide Face ³	Perpendicular to Wide Face ⁴
(1) Douglas Fir and Western Larch								
DRY CONDITIONS OF USE $E = 1,800,000$ psi								
1	All	1200	1500	900	1200	385	145	165
2	All	1800	1800	1500	1800	385	145	165
3	All	2200	2100	1900	2200	450	145	165
4	All	2400	2000	2100	2400	410	145	165
5	All	2600	2200	2300	2600	450	145	165
WET CONDITIONS OF USE $E = 1,600,000$ psi								
1	All	950	1100	750	950	260	120	145
2	All	1400	1300	1100	1400	260	120	145
3	All	1800	1500	1450	1800	305	120	145
4	All	1900	1450	1500	1900	275	120	145
5	All	2000	1600	1600	2000	305	120	145
(2) Southern Pine								
DRY CONDITIONS OF USE $E = 1,800,000$ psi								
1	All	1600	1400	950	1100	385	165	200
2	All	2200	1900	1700	1800	385	165	200
3	All	2600	2200	2000	2100	450	165	200
4	All	2400	2100	1950	2400	385	165	200
5	All	2600	2200	2300	2600	450	165	200
WET CONDITIONS OF USE $E = 1,600,000$ psi								
1	All	1300	1000	750	850	260	145	175
2	All	1800	1400	1350	1450	260	145	175
3	All	2100	1600	1600	1700	300	145	175
4	All	1900	1500	1550	1950	260	145	175
5	All	2100	1600	1850	2100	300	145	175

FOOTNOTES FOR TABLE 1.10.1B

¹The tabulated stresses in this table are primarily applicable to members loaded axially or parallel to the wide face of the laminations. For combinations and stresses applicable to members stressed principally in bending due to a load applied perpendicular to the wide face of the laminations, see Table 1.10.1A.

²It is not intended that these combinations be used for deep bending members, but if bending members 16-1/4 inches or deeper are used, the applicable AITC tension lamination requirements must be followed.

³The tabulated stresses are applicable to members containing three (3) or more laminations.

⁴The tabulated stresses are applicable to members containing four (4) or more laminations.

Appendix B

RATING EXISTING BRIDGES FOR SHVs (PARAMETRIC AND STATE BRIDGE STUDY)

Considering current bridge posting strategy and constrains of SIIMS, Iowa DOT decided to post bridges for all single unit trucks (including SHVs) with one single tonnage. A parametric study and state bridge study were carried out to determine the criteria for bridges that need to be re-rated and possibly posted for SHVs. Two questions need to be answered to determine the criteria: 1) If currently posted bridges need to be re-rated and re-posted for SHVs; and 2) What's the minimum HS20 operating rating that envelopes the response of SHVs.

B.1 Findings from Parametric studies

Parametric studies were performed for simple span bridges with span lengths between 5 ft and 150 ft for SU4, SU5, SU6, and SU7. Moment and shear produced by SHVs were compared to those produced by HS20 and Iowa Type 4 truck.

B.1.1 Bridges currently posted don't need to be re-rated for SHVs

The rating ratio of SHV rating to Type 4 truck rating is calculated in Eq.B.1. A ratio value of 1.0 or larger indicates that the SHV rating (in tonnage) is higher than or equal to the Type 4 truck rating. If the bridge is currently posted, the posting is conservative for this SHV. On the other hand, a ratio value smaller than 1.0 indicates that the SHV rating/posting (in tonnage) is lower than the Type 4 rating/posting.

$$\text{Rating Ratio} = \frac{\text{Rating}_{SHV} (\text{Tons})}{\text{Rating}_{Type 4} (\text{Tons})} = \frac{RES_{max-Type 4}}{RES_{max-SHV}} \frac{W_{SHV}}{W_{Type 4}} \quad \text{Eq. B.1}$$

in which, Rating_{SHV} and $\text{Rating}_{Type 4}$ are ratings in tonnage for SHV and Iowa Type 4 truck respectively;
 $RES_{max-Type 4}$ and $RES_{max-SHV}$ are maximum response (can be moment or shear) produced by Type 4 truck and SHV respectively

Figure B.1 and B.2 depict the rating ratio of SHV rating to Type4 Truck rating for bending and shear control cases respectively. As shown, the rating ratios are higher than 1.0 for all SHVs except the SU4. That means, for bridges that are currently posted the existing posting is conservative for all SHVs except the SU4. Looking at SU4 more closely can find that the rating ratio is between 0.95 and 1 when moment controls. That means the posting reduction would not be larger than 1.36 Tons (27.25 Tons x 5% = 1.36 Tons) when SHV is considered on top of current legal trucks. The difference is within 5% margin. For shear controlled bridges, the ratio is between 0.93 and 1; the rating/posting reduction would be smaller than 1.90 Tons and within 7% margin. Either way, the posting difference is less than 10% and current posting is considered acceptable. Re-rating for SHVs is not necessary.

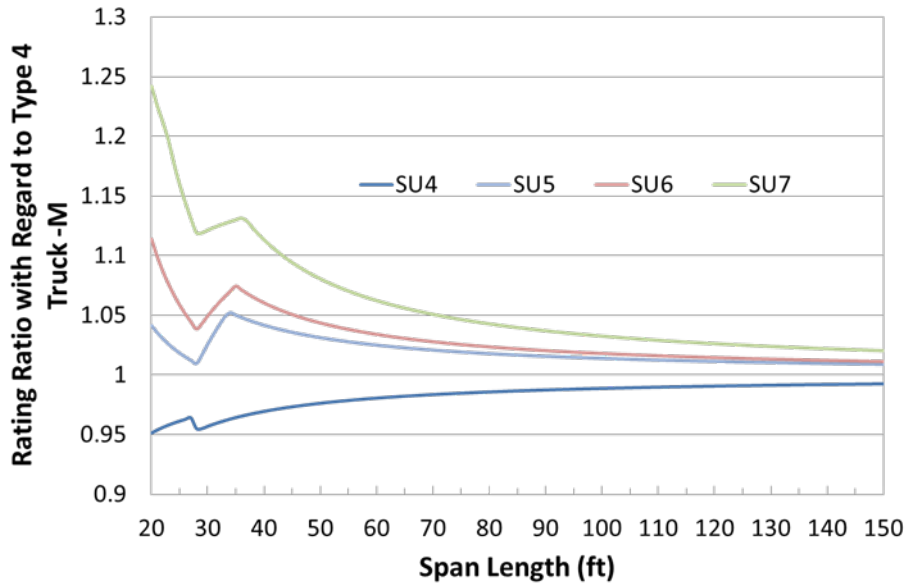


Fig. B.1 Rating ratio for SHVs with regard to Iowa Type 4 Truck – Moment control

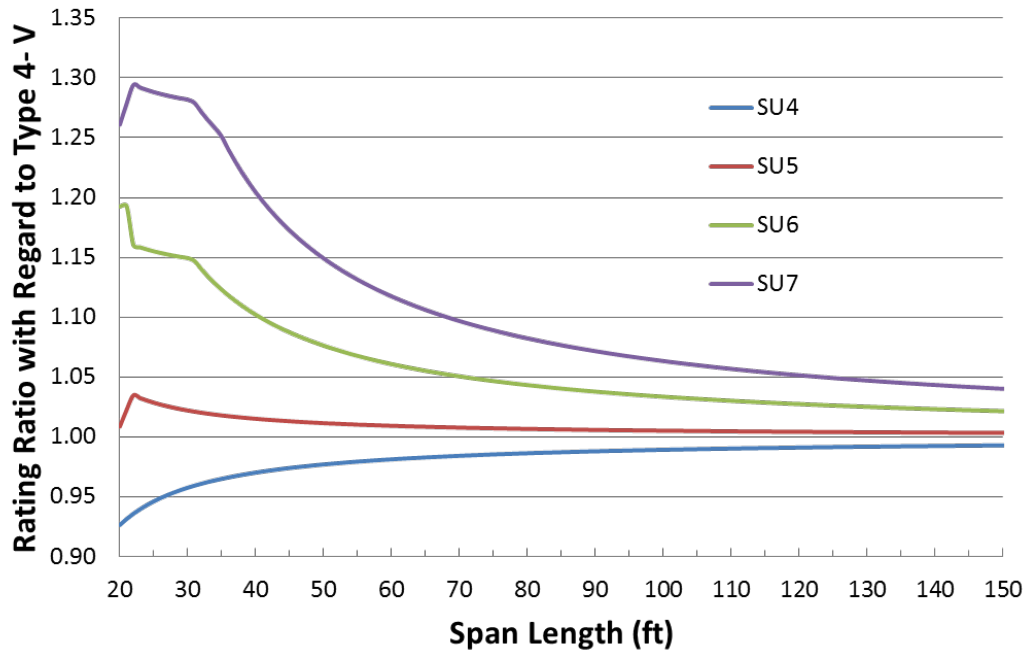


Fig. B.2 Rating ratio for SHVs with regard to Iowa Type 4 Truck – Shear control

B.1.1.2 Bridges with operating rating higher than 45.0 Tons don't need to be rated for SHVs

The minimum HS-20 Operating Ratings that envelope SHVs for different span lengths are shown in Fig.B.3 and Fig.B.4, for bending and shear control cases. Obviously bridges with an HS-20 Operating rating equal to or higher than 45.0 Tons have enough capacity for all SHVs and re-rating is not necessary; while bridges with an HS20 Operating Rating lower than 45.0 Tons and not currently posted should be re-rated and possibly posted for SHVs.

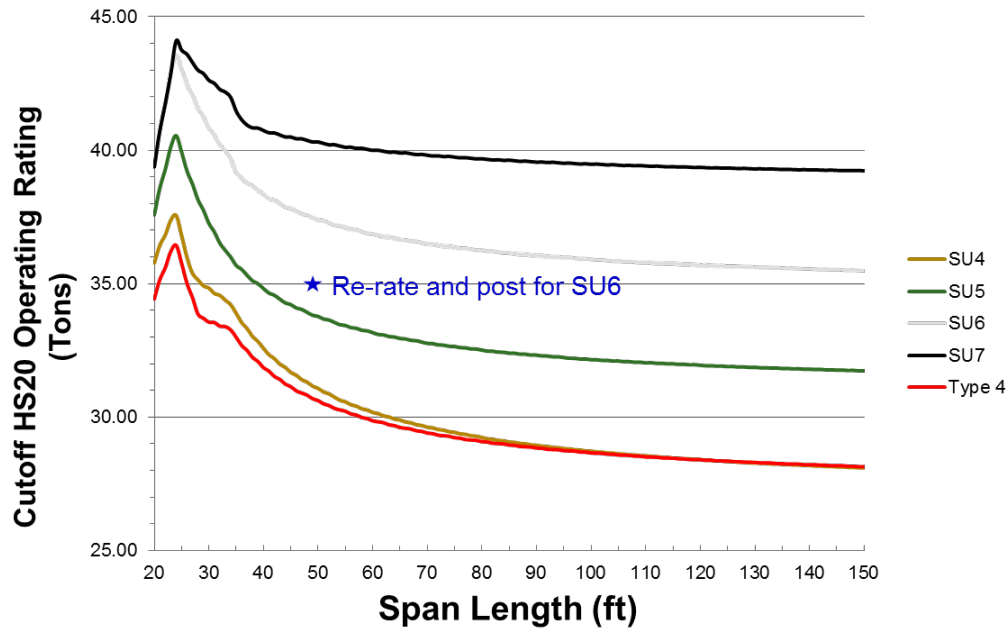


Fig. B.3 Cutoff HS20 Operating Ratings for SHVs – Moment control

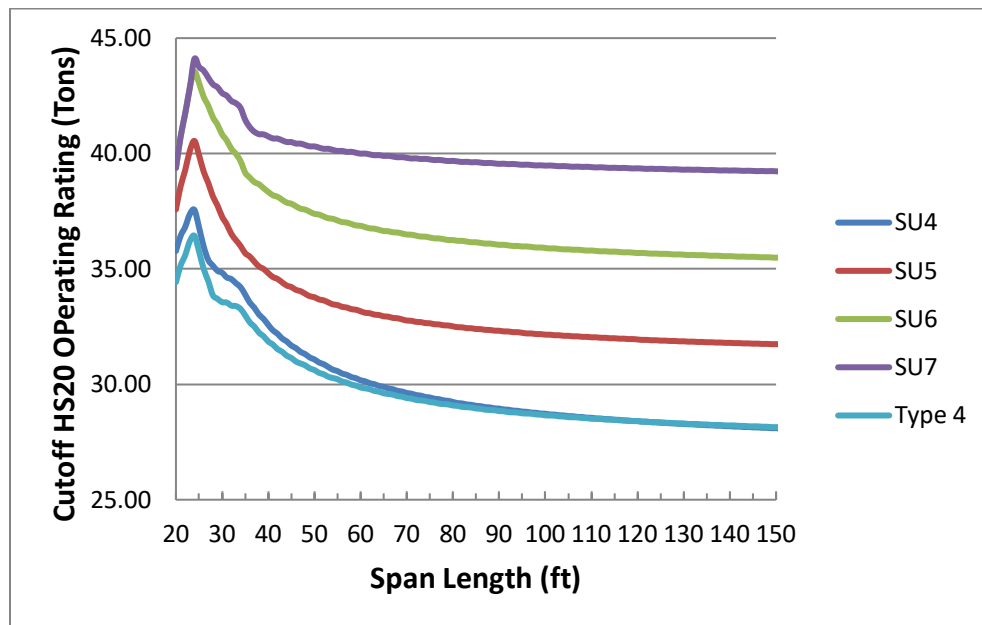


Fig. B.4 Cutoff HS20 Operating Ratings for SHVs – Shear control

One major objective of rating existing non-posted bridges for SHVs is determine whether the bridge needs to be posted or not. Figure B.1 and B.2 show that the Ratings of SHVs in Tonnage (RT) have the trend that SU7 RT > SU6 RT > SU5 RT > SU4 RT. Although not shown in the figures, a reversed trend can be seen for SHV rating factors (RF), i.e. SU7 RF < SU6 RF < SU5 RF < SU4 RF. These two observations indicate that:

- 1) Whether a bridge needs to be posted for SHVs is determined by SU7 rating
- 2) If a bridge needs to be posted for all SHVs, SU4 rating controls the posting limit
- 3) If a bridge needs to be posted for only some types of SHVs. The type of SHV that control the posting can be determined from Fig. B.3 (Numbers used to create Fig. B.3 are shown in Table B.1.). For example, a bridge with span length of 50ft and HS20 Operating Rating of 35.0 Tons (shown by a star in Fig. B.3) needs to be posted for SU6 and SU7 but not for SU4 and SU5. Rating the bridge for SU6 only can determine the posting tonnage. This observation is very helpful for rating bridges manually. However, as most of current ratings are performed with the help of a certain level of automation tools, rating bridges for multiple trucks would not be much harder than checking one single truck. It is recommended to rate bridges for all SHVs during re-rating if it does not take much more effort to do so.

B.2 Findings from State Bridge Study

In this study, more than 3,000 Iowa state owned bridges were rated for all types of SHVs. While the parametric study was focused on simple span bridges, continuous bridges and some types of special bridges are included in the state bridge study. It was found that:

- 1) No bridge with an HS20 operating rating higher than 45.0 Tons (actual number is 43.2 Tons) needs to be posted for SHVs. Figure B.5 depicts the ratings (in tonnage) for SHVs, Type 4 truck and Operating Rating for HS20 load for all bridges that need to be posted for SHVs. None of the bridges has the HS20 Operating Rating higher than 43.2 Tons.
- 2) All bridges posted for the Type 4 truck need to be posted for SHVs. This can be seen from Fig B.6, the RF for the Type 4 truck is higher than the RFs for SHVs. In other words, if the Type 4 RF is smaller than 1.0, RFs for SHVs would be smaller than 1.0 too. For bridges that are posted for Type 4 truck, Fig B.5 further shows that current posting is conservative for all SHVs except SU4. The SU4 posting, in maximum, is 0.96 Tons (4.6%) lower than Type 4 posting.
- 3) The Rating Factors (RF) for SHVs show the trend that SU7 RF < SU6 RF < SU5 RF < SU4 RF; while RT (Rating in Tonnage) shows a reversed trend SU7 RT > SU6 RT > SU5 RT > SU4 RT. Although only bridges that need to be posted for SU7 are shown in Fig.B.5 and B.6, this trend is generally true for all bridges studied. RF and RT for Type 4 truck are also shown in Fig.B.5 and B.6 for comparison with SU4 ratings.

All these findings are consistent with the findings made from simple span bridge parametric study.

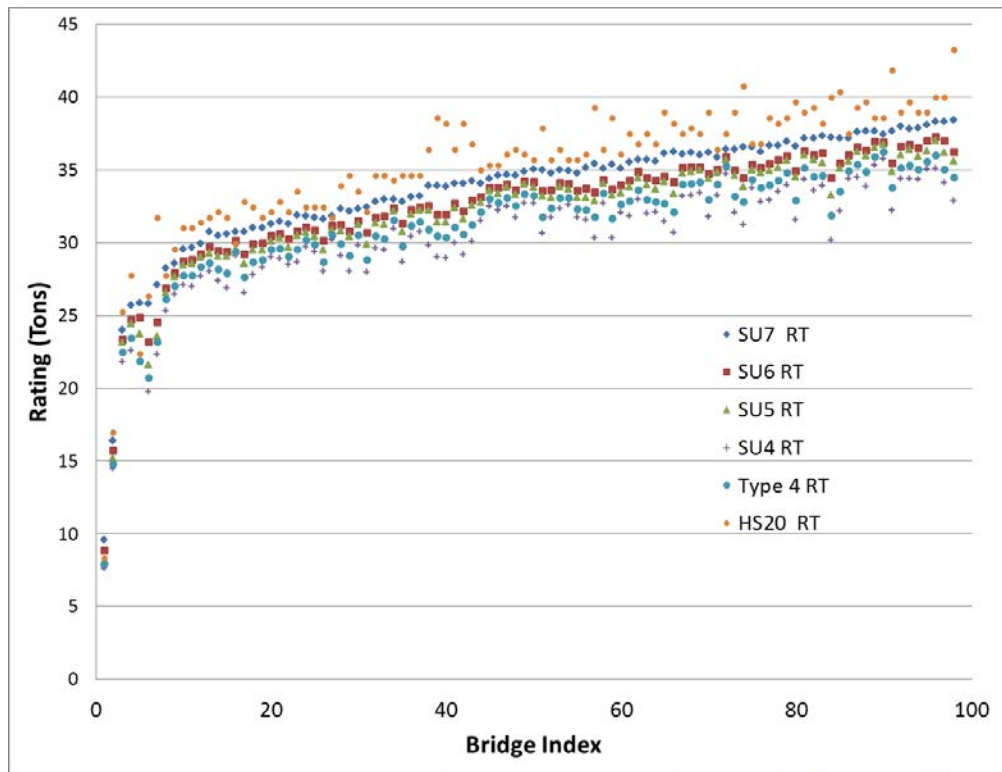


Fig. B.5 SHV, Type 4, and HS20 Operating Rating for Bridges need to be posted for SHVs

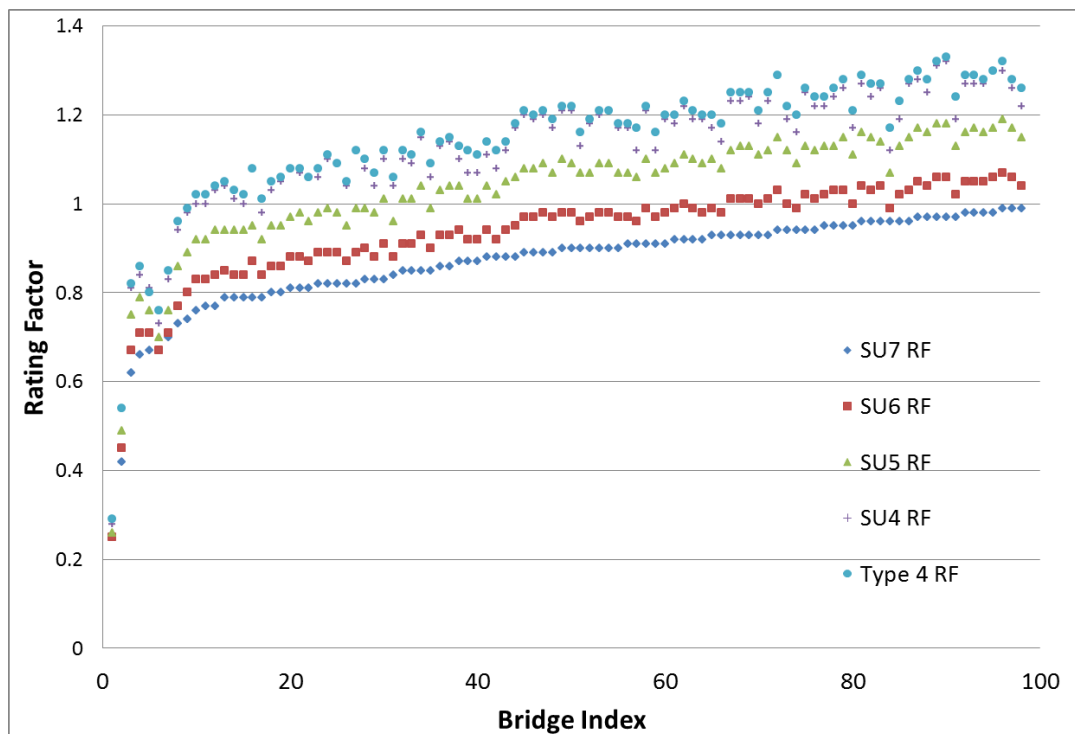


Fig. B.6 SHV and Type 4 Rating Factors for bridges need to be posted for SHVs

B.3 Recommendations Based on Parametric and State Bridge Studies

From the studies, Iowa DOT decided:

- 1) Bridges that are currently posted don't need to be re-rated for SHVs. Current posting is considered acceptable. However, when bridge re-rating is warranted, the re-rating should include SHVs. The following statement should be included in the comments field of Load Rating Report: *"Based on a parametric study by the D.O.T Office of Bridges and Structures, this bridge does not need to be rated for Special Hauling Vehicles (SHV) because the current posted limit envelopes SHVs. Any future re-rating performed should include analysis of SHVs. SHVs must be considered when determining the posting limits during future re-rating"*.
- 2) Bridges with HS20 Operating Rating ≥ 45.0 English Tons would have enough capacity for SHVs and re-rating for SHVs is not required. The following statement should be included in the comments field of Load Rating Report: *"Based on a parametric study by the D.O.T Office of Bridges and Structures, this bridge does not need to be rated for Special Hauling Vehicles (SHV) because the Operating Rating is greater than 45 tons. Any future re-rating performed must include analysis of SHVs"*.
- 3) Bridges with HS20 Operating Rating < 45.0 Tons and not currently posted should be rated and possibly posted for SHVs following the suggested time-line:
 - Group 1, single span beam type bridges and multi-span PPCBs, re-rate for SHVs before 12/31/2016
 - Group 2, multi-span bridges and single span special bridges (e.g., arch, truss, and etc.), re-rate for SHVs before 12/31/2020
 - Any bridge, if re-rating is warranted, re-rating must include SHVs.
- 4) For Group 1 bridges, if the Operating Rating is controlled by superstructure bending or shear and LFR approach is used, SHV ratings can be calculated using the Ratio Method described in Appendix C. Examples for this method are shown in Appendix D.
- 5) Only one cell space is available for SHVs in the SIIMS Load Rating Table, the lowest SHV rating tonnage should be reported there. The ratings for other SHVs should be included in the comments field if they are evaluated.
- 6) The same SHVs truck configurations are used in rating bridges on primary and non-primary systems.
- 7) When posting is required, one single tonnage should be used for all types of single unit trucks (e.g. SU4, SU5, SU6, SU7 and Type 4). For bridges on local systems, a more restrictive axle weight limits are imposed by Iowa Code 321.463 (see Table 18.2.1). Bridges should not be posted beyond the legal limits.

Table B. 1 Cutoff HS20 Operating Ratings for SHVs and Type 4 Truck

Span Length (ft)	Cutoff Operating Rating HS20 (Tons)				
	SU4	SU5	SU6	SU7	Type 4
20	36.09	37.84	39.66	39.66	34.65
21	36.62	38.72	40.88	40.88	35.25
22	37.10	39.51	41.98	41.99	35.80
23	37.53	40.24	42.99	43.12	36.29
24	37.80	40.76	43.77	44.24	36.62
25	36.95	40.04	43.18	43.95	35.85
26	36.19	39.40	42.65	43.68	35.16
27	35.51	38.83	42.18	43.43	34.55
28	35.27	38.31	41.74	43.19	34.00
29	35.09	37.83	41.35	42.98	33.83
30	34.92	37.40	40.98	42.77	33.73
31	34.77	37.01	40.65	42.58	33.64
32	34.62	36.65	40.34	42.40	33.56
33	34.48	36.31	40.05	42.23	33.47
34	34.35	36.10	39.79	42.07	33.39
35	33.97	35.81	39.23	41.60	33.06
36	33.66	35.60	39.04	41.22	32.80
37	33.38	35.40	38.87	41.02	32.56
38	33.12	35.22	38.71	40.95	32.34
39	32.88	35.05	38.56	40.88	32.14
40	32.66	34.89	38.43	40.82	31.96
41	32.45	34.75	38.30	40.76	31.78
42	32.26	34.62	38.18	40.70	31.62
43	32.08	34.49	38.07	40.65	31.47
44	31.92	34.38	37.97	40.60	31.33
45	31.76	34.27	37.87	40.55	31.20
46	31.62	34.17	37.78	40.50	31.08
47	31.48	34.07	37.69	40.46	30.97
48	31.35	33.98	37.61	40.42	30.86
49	31.23	33.90	37.53	40.38	30.76
50	31.11	33.82	37.46	40.35	30.66
51	31.00	33.74	37.39	40.31	30.57
52	30.90	33.67	37.33	40.28	30.48
53	30.80	33.60	37.27	40.24	30.40
54	30.71	33.54	37.21	40.21	30.32
55	30.62	33.48	37.15	40.18	30.25
56	30.54	33.42	37.10	40.16	30.18
57	30.46	33.36	37.04	40.13	30.11
58	30.38	33.31	36.99	40.10	30.05
59	30.30	33.26	36.95	40.08	29.98
60	30.23	33.21	36.90	40.05	29.92
61	30.17	33.16	36.86	40.03	29.87
62	30.10	33.12	36.82	40.01	29.81
63	30.04	33.07	36.78	39.98	29.76
64	29.98	33.03	36.74	39.96	29.71
65	29.92	32.99	36.70	39.94	29.66
66	29.87	32.95	36.67	39.92	29.62
67	29.81	32.92	36.63	39.90	29.57
68	29.76	32.88	36.60	39.89	29.53
69	29.71	32.85	36.57	39.87	29.49
70	29.66	32.82	36.53	39.85	29.45

71	29.62	32.78	36.50	39.83	29.41
72	29.57	32.75	36.48	39.82	29.38
73	29.53	32.72	36.45	39.80	29.34
74	29.49	32.69	36.42	39.79	29.31
75	29.45	32.67	36.39	39.77	29.27
76	29.41	32.64	36.37	39.76	29.24
77	29.37	32.61	36.34	39.74	29.21
78	29.34	32.59	36.32	39.73	29.18
79	29.30	32.57	36.30	39.72	29.15
80	29.27	32.54	36.28	39.70	29.12
81	29.23	32.52	36.25	39.69	29.09
82	29.20	32.50	36.23	39.68	29.06
83	29.17	32.47	36.21	39.67	29.04
84	29.14	32.45	36.19	39.66	29.01
85	29.11	32.43	36.17	39.64	28.99
86	29.08	32.41	36.15	39.63	28.96
87	29.05	32.39	36.13	39.62	28.94
88	29.02	32.38	36.12	39.61	28.92
89	29.00	32.36	36.10	39.60	28.90
90	28.97	32.34	36.08	39.59	28.87
91	28.95	32.32	36.06	39.58	28.85
92	28.92	32.31	36.05	39.57	28.83
93	28.90	32.29	36.03	39.56	28.81
94	28.87	32.27	36.02	39.55	28.79
95	28.85	32.26	36.00	39.54	28.78
96	28.83	32.24	35.99	39.54	28.76
97	28.81	32.23	35.97	39.53	28.74
98	28.79	32.21	35.96	39.52	28.72
99	28.77	32.20	35.95	39.51	28.70
100	28.74	32.18	35.93	39.50	28.69
101	28.73	32.17	35.92	39.49	28.67
102	28.71	32.16	35.91	39.49	28.65
103	28.69	32.14	35.89	39.48	28.64
104	28.67	32.13	35.88	39.47	28.62
105	28.65	32.12	35.87	39.47	28.61
106	28.63	32.11	35.86	39.46	28.59
107	28.62	32.10	35.85	39.45	28.58
108	28.60	32.08	35.83	39.44	28.57
109	28.58	32.07	35.82	39.44	28.55
110	28.57	32.06	35.81	39.43	28.54
111	28.55	32.05	35.80	39.42	28.52
112	28.53	32.04	35.79	39.42	28.51
113	28.52	32.03	35.78	39.41	28.50
114	28.50	32.02	35.77	39.41	28.49
115	28.49	32.01	35.76	39.40	28.47
116	28.47	32.00	35.75	39.39	28.46
117	28.46	31.99	35.74	39.39	28.45
118	28.45	31.98	35.73	39.38	28.44
119	28.43	31.97	35.72	39.38	28.43
120	28.42	31.96	35.72	39.37	28.42
121	28.41	31.95	35.71	39.37	28.41
122	28.39	31.94	35.70	39.36	28.40
123	28.38	31.93	35.69	39.36	28.39
124	28.37	31.93	35.68	39.35	28.37
125	28.36	31.92	35.67	39.35	28.36
126	28.34	31.91	35.66	39.34	28.35

127	28.33	31.90	35.66	39.34	28.35
128	28.32	31.89	35.65	39.33	28.34
129	28.31	31.89	35.64	39.33	28.33
130	28.30	31.88	35.63	39.32	28.32
131	28.29	31.87	35.63	39.32	28.31
132	28.28	31.86	35.62	39.31	28.30
133	28.27	31.86	35.61	39.31	28.29
134	28.25	31.85	35.61	39.30	28.28
135	28.24	31.84	35.60	39.30	28.27
136	28.23	31.84	35.59	39.30	28.26
137	28.22	31.83	35.59	39.29	28.26
138	28.21	31.82	35.58	39.29	28.25
139	28.20	31.82	35.57	39.28	28.24
140	28.20	31.81	35.57	39.28	28.23
141	28.19	31.80	35.56	39.28	28.22
142	28.18	31.80	35.55	39.27	28.22
143	28.17	31.79	35.55	39.27	28.21
144	28.16	31.78	35.54	39.26	28.20
145	28.13	31.75	35.51	39.23	28.17
146	28.00	31.62	35.35	39.06	28.05
147	27.88	31.48	35.20	38.90	27.93
148	27.76	31.34	35.05	38.74	27.81
149	27.63	31.21	34.90	38.57	27.68
150	27.51	31.08	34.76	38.41	27.56

Appendix C USE RATIO METHOD TO GET BRIDGE RATINGS FOR SHV'S

For simple span beam type bridges and PPCBs, if bending or shear of the superstructure controls the load rating and the LFR approach is used, the Ratio Method can be used to obtain the ratings for SHVs. The rating ratios are provided in Table C.1 and Table C.2.

The ratio method assumes that the structural capacity at critical point for HS20 is the same as for SHVs. This capacity can be calculated from HS20 ratings, which are generally available from bridge inventory data. In LFR, the same load factors are used in HS20 Operating Rating and legal load (including SHVs) rating, therefore the SHV-ratings can be calculated by multiply the HS20 Operating Rating (in English Tons) with a ratio factor which is defined as the following:

$$\text{Rating Ratio} = \frac{\text{Rating}_{SHV} (\text{Tons})}{\text{Rating}_{HS20 \text{ Oper.}} (\text{Tons})} = \frac{RES_{max-HS20}}{RES_{max-SHV}} \frac{W_{SHV}}{W_{HS20}} \quad \text{Eq. C.1}$$

in which, Rating_{SHV} and $\text{Rating}_{HS20 \text{ Oper.}}$ are ratings in tonnage for SHV and HS20 truck respectively;
 $RES_{max-HS20}$ and $RES_{max-SHV}$ are maximum response (can be moment or shear) produced by HS20 truck and SHV respectively

Table C.1 and C.2 are developed by calculating the maximum moment and shear produced by SHVs and HS20 for each span lengths first; and the ratio of responses are, then, multiplied by the ratio of truck weights.

Table C. 1. SHV's Rating Ratio with Regard to HS20 Operating Rating (Bending Control)

Span Length (ft)	Rating Ratio (To HS20 Operating Rating)			
	SU4	SU5	SU6	SU7
20	0.75	0.82	0.88	0.98
21	0.74	0.80	0.85	0.95
22	0.73	0.78	0.83	0.92
23	0.72	0.77	0.81	0.90
24	0.71	0.76	0.79	0.88
25	0.73	0.77	0.80	0.88
26	0.75	0.79	0.81	0.89
27	0.76	0.80	0.82	0.89
28	0.77	0.81	0.83	0.90
29	0.77	0.82	0.84	0.90
30	0.77	0.83	0.85	0.91
31	0.78	0.84	0.85	0.91
32	0.78	0.85	0.86	0.91
33	0.78	0.85	0.87	0.92
34	0.79	0.86	0.87	0.92
35	0.79	0.87	0.89	0.93
36	0.80	0.87	0.89	0.94
37	0.81	0.88	0.89	0.94
38	0.82	0.88	0.90	0.95
39	0.82	0.88	0.90	0.95
40	0.83	0.89	0.90	0.95
41	0.83	0.89	0.91	0.95
42	0.84	0.90	0.91	0.95
43	0.84	0.90	0.91	0.95
44	0.85	0.90	0.92	0.95
45	0.85	0.90	0.92	0.96
46	0.85	0.91	0.92	0.96
47	0.86	0.91	0.92	0.96
48	0.86	0.91	0.92	0.96
49	0.86	0.91	0.93	0.96
50	0.87	0.92	0.93	0.96
51	0.87	0.92	0.93	0.96
52	0.87	0.92	0.93	0.96
53	0.88	0.92	0.93	0.96
54	0.88	0.92	0.93	0.96
55	0.88	0.93	0.94	0.96
56	0.88	0.93	0.94	0.97
57	0.89	0.93	0.94	0.97
58	0.89	0.93	0.94	0.97
59	0.89	0.93	0.94	0.97
60	0.89	0.93	0.94	0.97
61	0.90	0.93	0.94	0.97
62	0.90	0.94	0.94	0.97
63	0.90	0.94	0.94	0.97
64	0.90	0.94	0.95	0.97
65	0.90	0.94	0.95	0.97
66	0.90	0.94	0.95	0.97
67	0.91	0.94	0.95	0.97
68	0.91	0.94	0.95	0.97
69	0.91	0.94	0.95	0.97
70	0.91	0.94	0.95	0.97
71	0.91	0.95	0.95	0.97

72	0.91	0.95	0.95	0.97
73	0.91	0.95	0.95	0.97
74	0.92	0.95	0.95	0.97
75	0.92	0.95	0.95	0.97
76	0.92	0.95	0.96	0.97
77	0.92	0.95	0.96	0.98
78	0.92	0.95	0.96	0.98
79	0.92	0.95	0.96	0.98
80	0.92	0.95	0.96	0.98
81	0.92	0.95	0.96	0.98
82	0.92	0.95	0.96	0.98
83	0.93	0.95	0.96	0.98
84	0.93	0.96	0.96	0.98
85	0.93	0.96	0.96	0.98
86	0.93	0.96	0.96	0.98
87	0.93	0.96	0.96	0.98
88	0.93	0.96	0.96	0.98
89	0.93	0.96	0.96	0.98
90	0.93	0.96	0.96	0.98
91	0.93	0.96	0.96	0.98
92	0.93	0.96	0.96	0.98
93	0.93	0.96	0.96	0.98
94	0.94	0.96	0.96	0.98
95	0.94	0.96	0.97	0.98
96	0.94	0.96	0.97	0.98
97	0.94	0.96	0.97	0.98
98	0.94	0.96	0.97	0.98
99	0.94	0.96	0.97	0.98
100	0.94	0.96	0.97	0.98
101	0.94	0.96	0.97	0.98
102	0.94	0.96	0.97	0.98
103	0.94	0.96	0.97	0.98
104	0.94	0.96	0.97	0.98
105	0.94	0.97	0.97	0.98
106	0.94	0.97	0.97	0.98
107	0.94	0.97	0.97	0.98
108	0.94	0.97	0.97	0.98
109	0.94	0.97	0.97	0.98
110	0.95	0.97	0.97	0.98
111	0.95	0.97	0.97	0.98
112	0.95	0.97	0.97	0.98
113	0.95	0.97	0.97	0.98
114	0.95	0.97	0.97	0.98
115	0.95	0.97	0.97	0.98
116	0.95	0.97	0.97	0.98
117	0.95	0.97	0.97	0.98
118	0.95	0.97	0.97	0.98
119	0.95	0.97	0.97	0.98
120	0.95	0.97	0.97	0.98
121	0.95	0.97	0.97	0.98
122	0.95	0.97	0.97	0.98
123	0.95	0.97	0.97	0.98
124	0.95	0.97	0.97	0.98
125	0.95	0.97	0.97	0.98
126	0.95	0.97	0.97	0.98
127	0.95	0.97	0.97	0.99

128	0.95	0.97	0.97	0.99
129	0.95	0.97	0.97	0.99
130	0.95	0.97	0.98	0.99
131	0.95	0.97	0.98	0.99
132	0.95	0.97	0.98	0.99
133	0.96	0.97	0.98	0.99
134	0.96	0.97	0.98	0.99
135	0.96	0.97	0.98	0.99
136	0.96	0.97	0.98	0.99
137	0.96	0.97	0.98	0.99
138	0.96	0.97	0.98	0.99
139	0.96	0.97	0.98	0.99
140	0.96	0.97	0.98	0.99
141	0.96	0.97	0.98	0.99
142	0.96	0.97	0.98	0.99
143	0.96	0.98	0.98	0.99
144	0.96	0.98	0.98	0.99
145	0.96	0.98	0.98	0.99
146	0.96	0.98	0.98	0.99
147	0.97	0.98	0.99	1.00
148	0.97	0.99	0.99	1.00
149	0.98	0.99	1.00	1.00
150	0.98	1.00	1.00	1.01

Table C. 2. SHV's Rating Ratio with Regard to HS20 Operating Rating (Shear Control)

Span Length (ft)	Rating Ratio (To HS20 Oper. Rating)			
	SU4	SU5	SU6	SU7
20	0.85	0.93	1.10	1.22
21	0.85	0.94	1.09	1.22
22	0.86	0.95	1.06	1.19
23	0.86	0.94	1.06	1.18
24	0.86	0.94	1.06	1.18
25	0.86	0.94	1.05	1.17
26	0.86	0.93	1.05	1.17
27	0.86	0.93	1.05	1.17
28	0.87	0.93	1.05	1.17
29	0.87	0.93	1.05	1.17
30	0.88	0.94	1.05	1.17
31	0.88	0.94	1.05	1.18
32	0.89	0.94	1.05	1.17
33	0.89	0.94	1.05	1.17
34	0.90	0.95	1.05	1.17
35	0.90	0.95	1.05	1.17
36	0.90	0.95	1.04	1.16
37	0.91	0.95	1.04	1.16
38	0.91	0.95	1.04	1.16
39	0.91	0.95	1.04	1.16
40	0.91	0.96	1.04	1.16
41	0.92	0.96	1.04	1.16
42	0.92	0.96	1.04	1.15
43	0.92	0.96	1.03	1.15
44	0.92	0.96	1.03	1.15
45	0.93	0.96	1.03	1.15
46	0.93	0.96	1.03	1.15
47	0.93	0.96	1.03	1.15
48	0.93	0.96	1.03	1.15
49	0.93	0.97	1.03	1.15
50	0.93	0.97	1.03	1.15
51	0.94	0.97	1.03	1.15
52	0.94	0.97	1.03	1.15
53	0.94	0.97	1.03	1.14
54	0.94	0.97	1.03	1.14
55	0.94	0.97	1.03	1.14
56	0.94	0.97	1.02	1.14
57	0.94	0.97	1.02	1.14
58	0.94	0.97	1.02	1.14
59	0.95	0.97	1.02	1.14
60	0.95	0.97	1.02	1.14
61	0.95	0.97	1.02	1.14
62	0.95	0.97	1.02	1.14
63	0.95	0.97	1.02	1.14
64	0.95	0.97	1.02	1.14
65	0.95	0.98	1.02	1.14
66	0.95	0.98	1.02	1.14
67	0.95	0.98	1.02	1.14
68	0.95	0.98	1.02	1.14
69	0.95	0.98	1.02	1.14

70	0.95	0.98	1.02	1.14
71	0.96	0.98	1.02	1.14
72	0.96	0.98	1.02	1.14
73	0.96	0.98	1.02	1.14
74	0.96	0.98	1.02	1.13
75	0.96	0.98	1.02	1.13
76	0.96	0.98	1.02	1.13
77	0.96	0.98	1.02	1.13
78	0.96	0.98	1.02	1.13
79	0.96	0.98	1.02	1.13
80	0.96	0.98	1.02	1.13
81	0.96	0.98	1.02	1.13
82	0.96	0.98	1.02	1.13
83	0.96	0.98	1.02	1.13
84	0.96	0.98	1.02	1.13
85	0.96	0.98	1.02	1.13
86	0.96	0.98	1.01	1.13
87	0.96	0.98	1.01	1.13
88	0.96	0.98	1.01	1.13
89	0.97	0.98	1.01	1.13
90	0.97	0.98	1.01	1.13
91	0.97	0.98	1.01	1.13
92	0.97	0.98	1.01	1.13
93	0.97	0.98	1.01	1.13
94	0.97	0.98	1.01	1.13
95	0.97	0.98	1.01	1.13
96	0.97	0.98	1.01	1.13
97	0.97	0.98	1.01	1.13
98	0.97	0.98	1.01	1.13
99	0.97	0.98	1.01	1.13
100	0.97	0.98	1.01	1.13
101	0.97	0.98	1.01	1.13
102	0.97	0.99	1.01	1.13
103	0.97	0.99	1.01	1.13
104	0.97	0.99	1.01	1.13
105	0.97	0.99	1.01	1.13
106	0.97	0.99	1.01	1.13
107	0.97	0.99	1.01	1.13
108	0.97	0.99	1.01	1.13
109	0.97	0.99	1.01	1.13
110	0.97	0.99	1.01	1.13
111	0.97	0.99	1.01	1.13
112	0.97	0.99	1.01	1.13
113	0.97	0.99	1.01	1.13
114	0.97	0.99	1.01	1.13
115	0.97	0.99	1.01	1.13
116	0.97	0.99	1.01	1.13
117	0.97	0.99	1.01	1.13
118	0.97	0.99	1.01	1.13
119	0.97	0.99	1.01	1.13
120	0.97	0.99	1.01	1.13
121	0.97	0.99	1.01	1.13
122	0.97	0.99	1.01	1.13
123	0.98	0.99	1.01	1.13
124	0.98	0.99	1.01	1.13
125	0.98	0.99	1.01	1.13

126	0.98	0.99	1.01	1.13
127	0.98	0.99	1.01	1.13
128	0.98	0.99	1.01	1.13
129	0.98	1.00	1.02	1.13
130	0.99	1.00	1.02	1.14
131	0.99	1.00	1.03	1.14
132	1.00	1.01	1.03	1.15
133	1.00	1.01	1.03	1.15
134	1.00	1.02	1.04	1.16
135	1.01	1.02	1.04	1.16
136	1.01	1.03	1.05	1.17
137	1.02	1.03	1.05	1.17
138	1.02	1.03	1.05	1.18
139	1.03	1.04	1.06	1.18
140	1.03	1.04	1.06	1.19
141	1.04	1.05	1.07	1.19
142	1.04	1.05	1.07	1.19
143	1.04	1.06	1.08	1.20
144	1.05	1.06	1.08	1.20
145	1.05	1.06	1.08	1.21
146	1.06	1.07	1.09	1.21
147	1.06	1.07	1.09	1.22
148	1.07	1.08	1.10	1.22
149	1.07	1.08	1.10	1.23
150	1.07	1.09	1.10	1.23

Appendix D EXAMPLES OF RATIO METHOD

The bridge used in the following examples is a 50 ft single span bridge; rating is controlled by bending; and the HS20 Operating Rating is 43.2 Tons in LFR.

D.1 Doesn't Need to Be Posted for SHVs After Re-rating

The bridge has HS20 Operating Rating of 43.2 Tons. It is not currently posted, and HS20 Operating Rating < 45.0 Tons so re-rating the bridge for SHVs is required. The RTs for SU4, SU5, SU6 and SU7 are shown in the following table. They are calculated as the HS20 Operating Rating (in Tons) multiple by the Rating Ratio (Table C.1). For example, SU4 rating is calculated as $43.2 \text{ Tons} \times 0.87 = 37.6 \text{ Tons}$.

Table D.1 SHVs Ratings (in Tons)

	HS20 Oper. Rating	SU4	SU5	SU6	SU7
Rating Ratio	1	0.87	0.92	0.93	0.96
Rating (Tons)	43.2*	37.6	39.7	40.2	41.5

*This can be found from current load rating records

The bridge doesn't need to be posted for SHVs. This is consistent with the cutoff ratings shown in Table B.1.

D.2 Need to Be Posted for SHVs on Primary System Only

The bridge has HS20 Operating Rating of 36.0 Tons. The bridge is not currently posted and HS20 Operating Rating < 45.0 Tons. It is required to be re-rated for SHVs. The rating results are summarized in Table D.2

Table D.2 SHVs Ratings (in Tons)

	HS20 Oper. Rating	SU4	SU5	SU6	SU7
Rating Ratio	1.0	0.87	0.92	0.93	0.96
Rating (Tons)	36.0	31.3	33.1	33.5	34.6

The bridge need to be posted for SU6 and SU7 if it is on primary road way system, and the posting tonnage is controlled by SU6 rating (i.e. 34 Tons). However, this bridge does not need to be posted if it is located on non-primary road way system.

D.3 Need to Be Posted for SHVs on both Primary and Non-primary System

The bridge has HS20 Operating Rating of 33.7 Tons; not currently posted for single unit trucks (Iowa Type 4 Truck). As the bridge is not currently posted and has the HS20 Operating Rating < 45.0 Tons, it is required to re-rate the bridge for SHVs. The rating results are summarized in Table D.3

Table D.3 SHVs Ratings (in Tons)

	HS20 Oper. Rating	SU4	SU5	SU6	SU7
Rating Ratio	1.0	0.87	0.92	0.93	0.96
Rating (Tons)	33.7	29.3	31.0	31.3	32.4

The bridge need to be posted for SU6 and SU7 no matter it is on primary road way or non-primary road way systems. The posting is controlled by SU6 rating and should be 31 Tons.